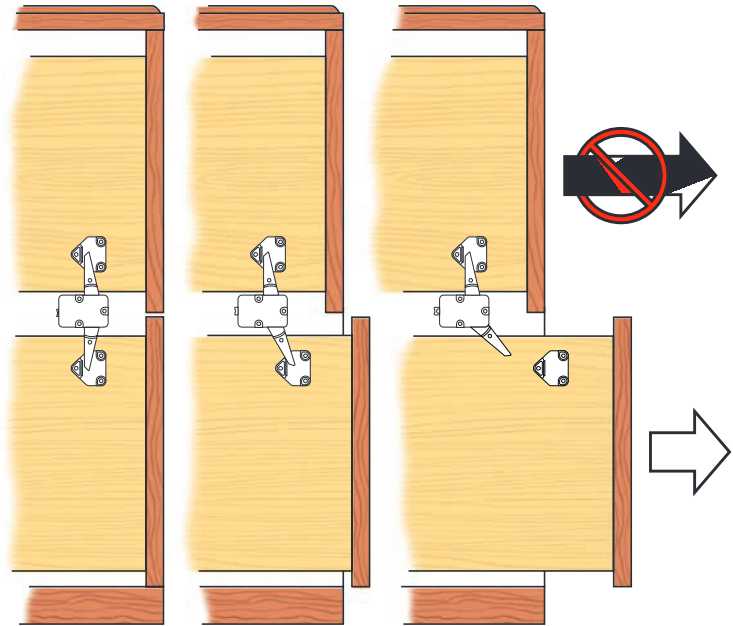
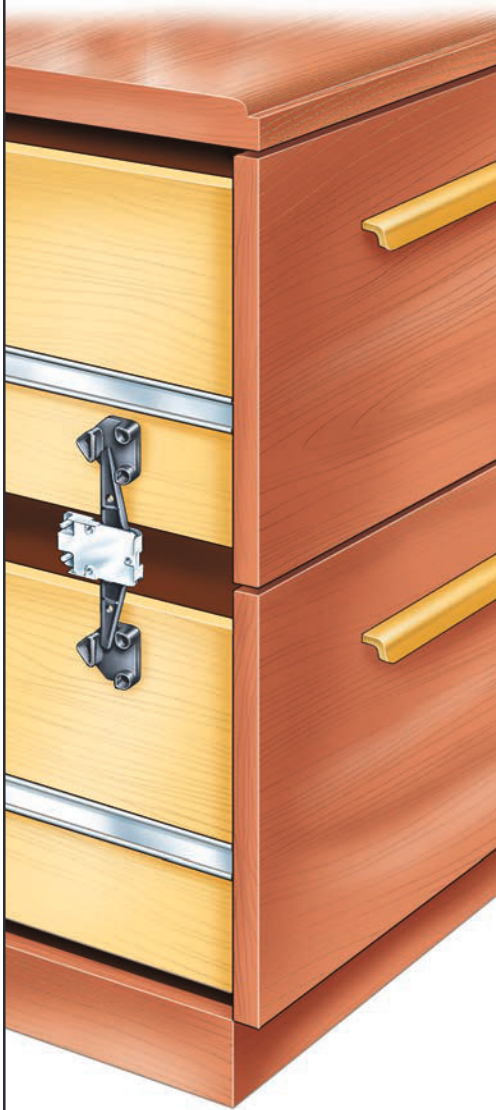


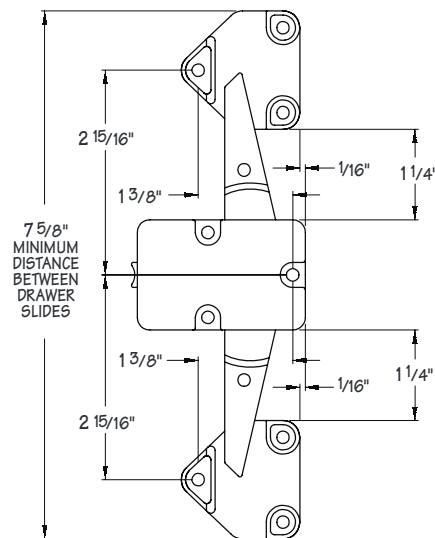
ANTI-TIP INTERLOCK SYSTEM 400

2-DRAWER LATERAL (NO LOCK)

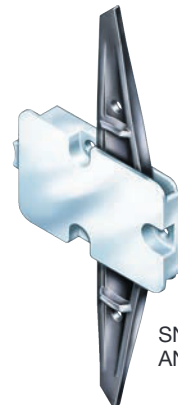


WHEN EITHER DRAWER IS PULLED OPEN, THE DRAWER CLIP ON THAT DRAWER MOVES THE SNAPPER INTO A LOCKED POSITION... THEREBY PREVENTING ANY FURTHER DRAWERS FROM BEING OPENED

TYPICAL INSTALLATION DETAILS



- PREVENTS MORE THAN ONE DRAWER FROM BEING OPENED AT A TIME
- MEETS BIFMA STANDARDS FOR STRENGTH AND DURABILITY
- ALL COMPONENTS ARE SURFACE MOUNTED
- WIDE TOLERANCE ACCOMMODATION
- EASY TO MOUNT AND LOW COST
- 1/2" DRAWER SLIDE CLEARANCE REQUIRED



SN-400
ANTI-TIP SNAPPER



DC-400
DRAWER CLIP

