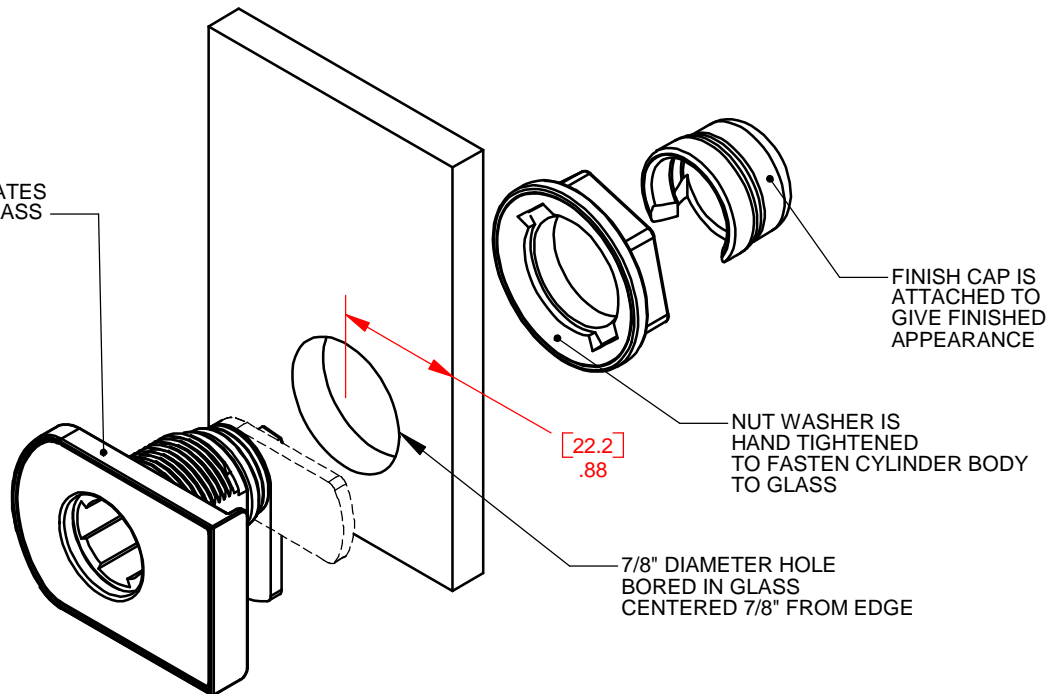


CYLINDER BODY ROTATES THROUGH HOLE IN GLASS

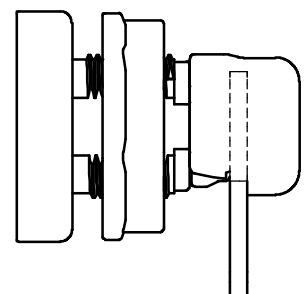


[22.2] .88

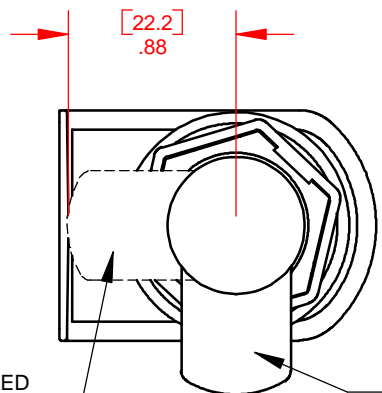
7/8" DIAMETER HOLE BORED IN GLASS CENTERED 7/8" FROM EDGE

FINISH CAP IS ATTACHED TO GIVE FINISHED APPEARANCE

NUT WASHER IS HAND TIGHTENED TO FASTEN CYLINDER BODY TO GLASS



CAM IN LOCKED POSITION



CAM IN UNLOCKED POSITION

PART NUMBERS:

- CB-301 NICKEL FINISH
- CB-305 BRASS FINISH
- CB-307 SATIN NICKEL FINISH

COMPONENTS ARE BAGGED TOGETHER IN POLYBAG

DATE	03/24/03	DRAWING#	CB-30X
DESCRIPTION	TYPE 300 GLASS DOOR CAM LOCK		

**CompX**  
**TIMBERLINE**



915 Sherwood Drive Phone: 847-234-1864  
Lake Bluff, IL 60044 Fax: 847-234-7922