

SALICE Concealed Hinges, 94° Thick Door

94° Silentia Series 200 Thick Door Hinges

- For doors up to 1 3/8" thick
- Integrated soft-close in the hinge cup
- For doors with minimum 18mm thickness
- 15.5mm cup depth
- 35mm cup diameter
- Plates sold separately

Use the formulas below to determine the type of hinge arm, the drilling distance "K" and the mounting plate "H" necessary for the application.

K = drilling distance (3mm - 9mm)

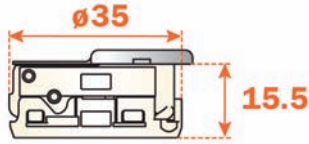
H = mounting plate height

D = overlay of door on side panel or frame

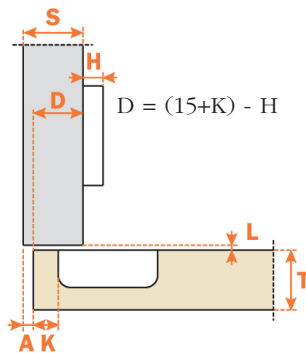
A = reveal

T = door thickness

S = thickness of cabinet panel

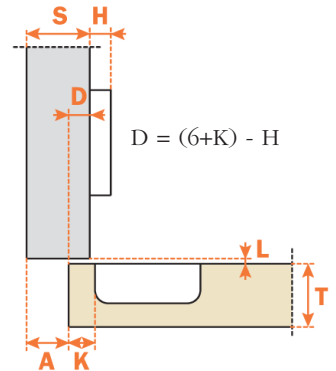


94° - Full Overlay "A" Crank



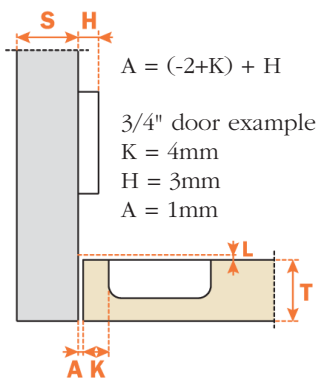
SAC2PBAD9 Screw on
SAC2RBAD9 Press in

94° - Half Overlay "G" Crank

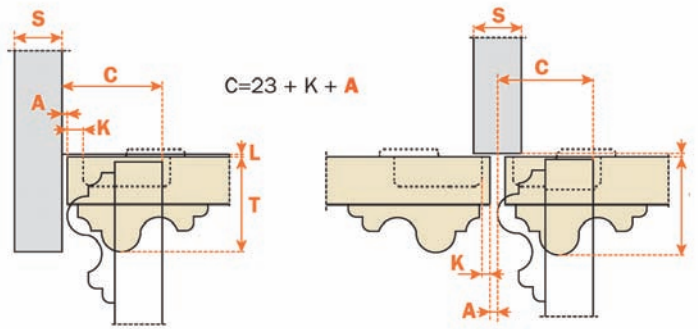


SAC2PBGD9 Screw on
SAC2RBGD9 Press in

94° - Inset "P" Crank



SAC2PBPD9 Screw on
SAC2RBPD9 Press in



C = the maximum thickness of the molded door that can be opened without touching the adjacent components

86° Reduction Clip

- Reduction of 94° hinges to 86°



SAS2A637XF Black

Millimeter to inch equivalents

1	1.5	2	3	4	5	5.5	6	7	8	9	9.5	10	11	12	13	14	15	16	17	17.5	18	19	20	20.5	21	22	23	24	24.5	25.4
1/32	1/16	3/32	1/8	5/32	3/16	7/32	1/4	9/32	5/16	11/32	3/8	13/32	7/16	15/32	1/2	9/16	19/32	5/8	21/32	11/16	23/32	3/4	25/32	13/16	27/32	7/8	29/32	15/16	31/32	1