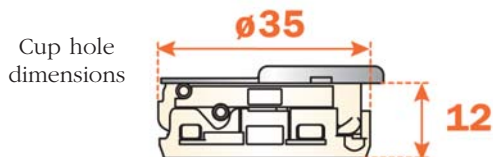


SALICE Concealed Hinges, 105° Soft Close

105° Silentia Soft-Close Euro Hinges

- Integrated soft close device in hinge cup
- 12mm cup depth
- 35mm cup diameter
- Plates sold separately

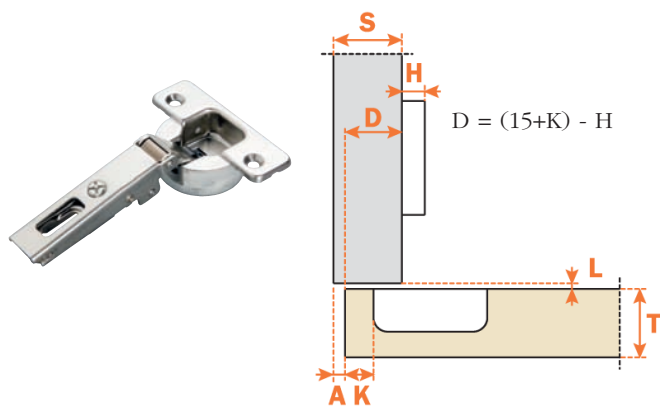


Use the formulas below to determine the type of hinge arm, the drilling distance "K" and the mounting plate "H" necessary for the application.

- K** = drilling distance (3mm - 6mm)
- H** = mounting plate height
- D** = overlay of door on side panel or frame
- A** = reveal
- T** = door thickness
- S** = thickness of cabinet panel
- L** = gap between door & cabinet

A=Space needed to open the door		T=	15	16	17	18	19	20
K=3	A=	1.0	1.0	1.2	1.4	1.6	1.9	
K=4	A=	0.9	1.0	1.2	1.3	1.5	1.8	
K=5	A=	0.9	1.0	1.1	1.2	1.5	1.8	
K=6	A=	0.9	1.2	1.1	1.2	1.4	1.7	

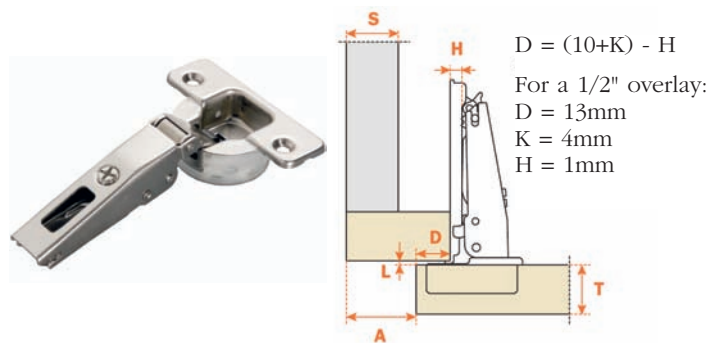
105° Silentia - Full Overlay "A" Crank



- SAC1P6AD9** Screw on
- SAC1R6AD9** Press in
- SAC176AD9** Rapido

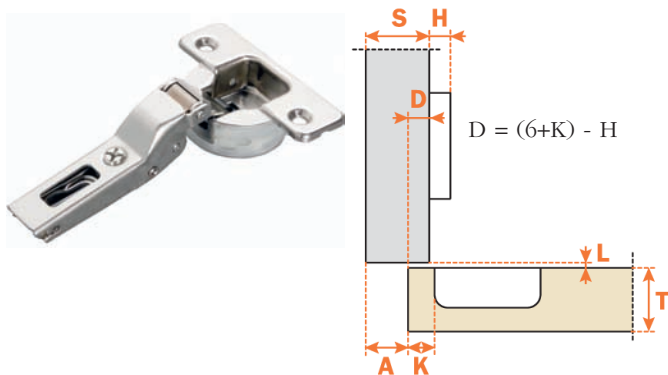
105° Silentia - 1/2" Overlay "D" Crank

Popular for use with face frame cabinets



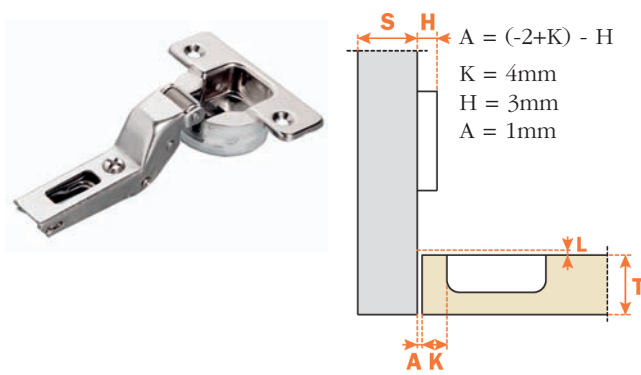
- Hinge**
- SAC1P6DD9** Screw on
 - SAC1R6DD9** Press in
 - SAC176DD9** Rapido
- 1mm Plate for 1/2" OL**
- SABAU3L19** Single cam
 - SABAU3R19** Double cam

105° Silentia - Half Overlay "G" Crank



- SAC1P6GD9** Screw on
- SAC1R6GD9** Press in
- SAC176GD9** Rapido

105° Silentia - Inset "P" Crank



- SAC1P6PD9** Screw on
- SAC1R6PD9** Press in
- SAC176PD9** Rapido

Hinge Cup Spacer

- Spacer for 94°, 105° and 110° hinges
- To be used to reduce cup drilling depths
- Not to be used with Logica hinges



Thickness
SAS2XX86KT 1.8mm