

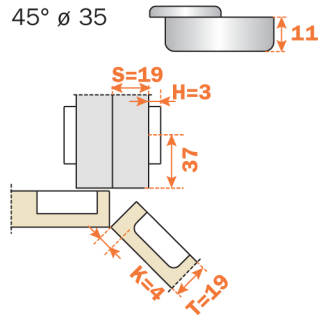


Corner hinge +45°
Bisagra ángulo +45°



S/C		C2P7M99AC	150
S/C		C2R7M99AC	150



Examples with doors with square edges:

Door thickness T	mtg plate Height H	side adjustment	Drilling distance for cruciform mtg. plate	Drilling distance K (recommended)
16 mm	H = 6	1 mm	31 mm	4 mm
19 mm	H = 2 or 3	1 mm	28 mm	4 mm
22 mm	H = 0	1 mm	25 mm	4 mm