

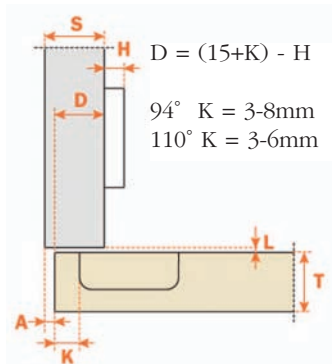
SALICE Concealed Hinges, 94° & 110° Series 200

94° & 110° Self-Close Series 200 Euro Hinges

- Self-closing
- 11mm cup depth
- 35mm cup diameter
- Plates sold separately



94° & 110° - Full Overlay "A" Crank



94°

SAC2R7A99 Press in

110°

SAC2P6A99 Screw on

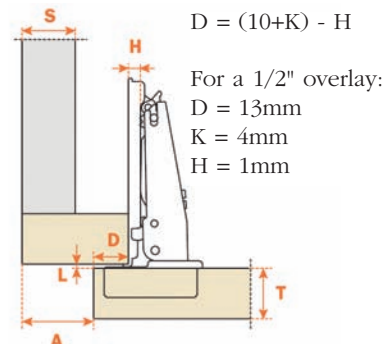
SAC2R6A99 Press in

SAC276A99 Rapido

SAC2J6A99 Logica

110° - 1/2" Overlay "D" Crank

Popular for use with face frame cabinets



Hinge

SAC2P6D99 Screw on

SAC2R6D99 Press in

SAC276D99 Rapido

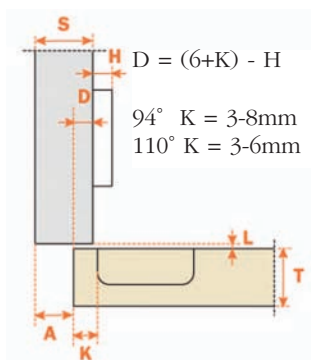
SAC2J6D99 Logica

1mm Plate for 1/2" OL

SABAU3L19 Single cam

SABAU3R19 Double cam

94° & 110° - Half Overlay "G" Crank



94°

SAC2R7G99 Press in

110°

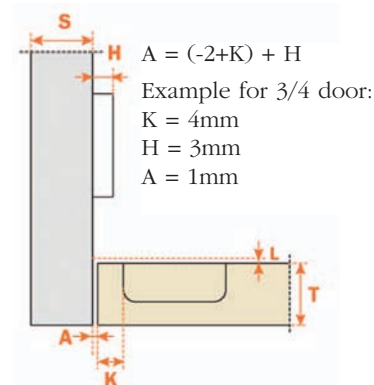
SAC2P6G99 Screw on

SAC2R6G99 Press in

SAC276G99 Rapido

SAC2J6G99 Logica

94° & 110° - Inset "P" Crank



94°

SAC2R7P99 Press in

110°

SAC2P6P99 Screw on

SAC2R6P99 Press in

SAC276P99 Rapido

SAC2J6P99 Logica

Millimeter to inch equivalents

1	1.5	2	3	4	5	5.5	6	7	8	9	9.5	10	11	12	13	14	15	16	17	17.5	18	19	20	20.5	21	22	23	24	24.5	25.4
1/32	1/16	3/32	1/8	5/32	3/16	7/32	1/4	9/32	5/16	11/32	3/8	13/32	7/16	15/32	1/2	9/16	19/32	5/8	21/32	11/16	23/32	3/4	25/32	13/16	27/32	7/8	29/32	15/16	31/32	1