



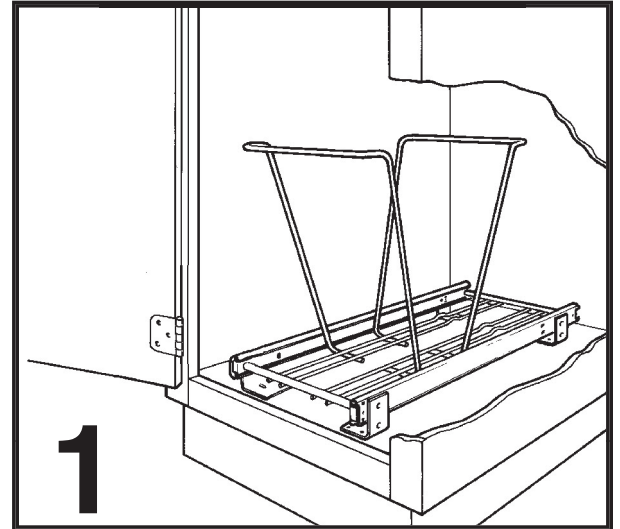
Installation Instructions for: RV-Series Pull-Out Waste Containers and Hampers

If you have any questions or would like additional information on the rest of our products for the kitchen, closet, or bathroom, please contact a Customer Service Specialist at: 1-800-626-1126 or visit us on the web at www.rev-a-shelf.com. Also, don't forget about our door mount kit (RV-DMKIT) that will attach your current cabinet door to your RV Waste Container or Hamper.

1

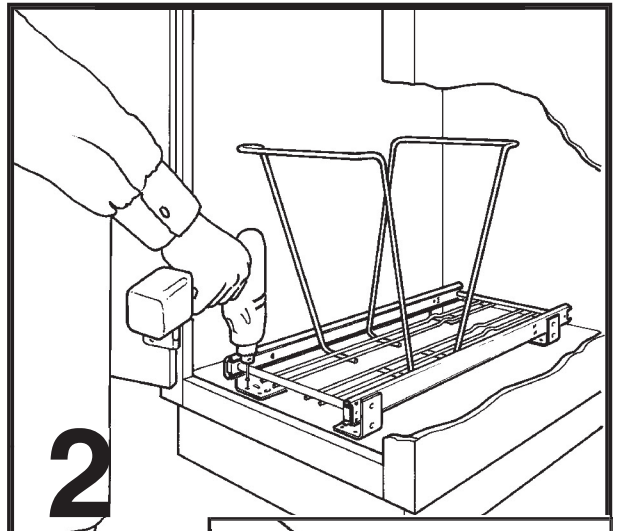
Your RV series has been shipped fully assembled for ease of installation.

- First Remove the container(s) from the wire frame.
- Place the frame inside of your cabinet.
- Look to make sure that there is plenty of clearance to shut the door and for the waste container.



2

With the frame in a closed position, insert the front two screws, making sure that the framework is square to the front of the cabinet.



3

If there is sufficient clearance, install rear screws. If framework prevents access to rear screws, remove framework by pulling out and lifting frame from slides.

Note: if your product features full extension slides remove frame by disengaging release triggers (Fig. A).

Finally, place your waste container in the wire frame and the installation is complete.

