

Cutlery/Spice/Utility Tray Insert



STEP 1:
Using a table saw cut width of insert to fit inside of drawer.

STEP 2:
Cut back of insert off to fit from inside front to rear of the drawer.



STEP 3:
Place inside drawer.

REV-A-SHELF® Wood Classics™

Installation Instructions

We hope you enjoy your new wood accessories from Rev-A-Shelf. We pride ourselves in providing the best quality, service and innovation in the industry. If you have any questions about our products, feel free to call our Customer Service Specialist at 800-626-1126



2409 Plantside Drive
Jeffersontown, KY 40299
502-499-5835 • FAX: 502-491-2215
www.rev-a-shelf.com

I-WOOD 11-05

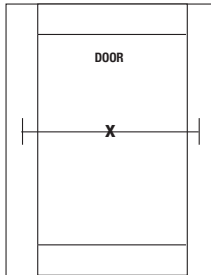
Sink Base Door Storage



STEP 1:
Measure width between center of door frame rails

STEP 2:
Transfer this measurement to rack and tighten adjustable mounting brackets.

STEP 3:
Mark hole locations and fasten to door



DM Spice Rack 4SR-15, 4SR-18, 4SR-21



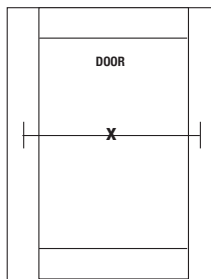
STEP 1:
Measure width between center of door frame rails.

STEP 2:
Transfer this measurement to rack and tighten adjustable mounting brackets.

STEP 3:
Mark hole locations and fasten to door.

Note:
4SR requires 4 1/2" of clearance behind door. Existing shelves must be modified to allow space for these bins.

4 1/2"



Adjustable Spice Rack 4ASR-15, 4ASR-18, 4ASR-21

Adjustable Mounting Brackets



STEP 1:
See accompanying insert.

Note:
4ASR requires 4 1/2" of clearance behind door. Existing shelves must be modified to allow for these bins.

4 1/2"



Hook that holds the trays to the standards. Two on each tray already attached to the back.

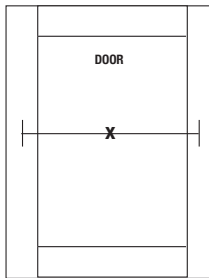
DM Cutting Board 4DMCB-15, 4DMCB-18



STEP 1:
Measure width between center of door frame rails.

STEP 2:
Transfer this measurement to rack and tighten adjustable mounting brackets.

STEP 3:
Mark hole locations and fasten to door.



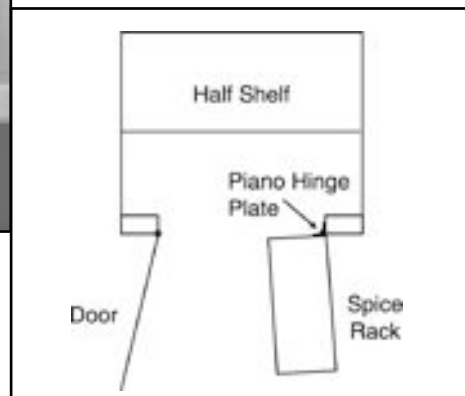
Pivot-Out Spice Rack 4PSR-18, 4PSR-21



STEP 1:
Remove or adjust any existing interior shelving

STEP 2:
Attach hinge to spice rack.

STEP 3:
Attach hinge to cabinet frame opposite side from door hinges.



Note:
Includes magnetic latch. Install if needed.

Drawer Cutting Board/Knife Rest 4KCB-18, 21, 24



STEP 1:
See accompanying insert. Uses Full-Extension Ball-Bearing Slides.



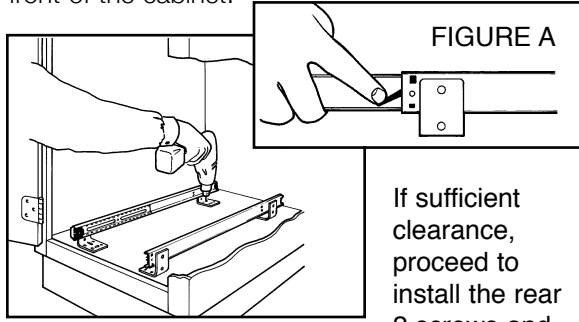
Bottom Mount Waste Containers



Your Wood Classic Series Accessory has been shipped fully assembled for ease in installation.

First remove the container(s) from the wood assembly, place the wood frame inside your designated space for installation. In the closed position, mark the four screw locations.

If sufficient clearance, install the front 2 screws, making sure the wood frame is square with the front of the cabinet.



If sufficient clearance, proceed to install the rear 2 screws and refer to enclosed RV Series Door Mount Instruction Sheet for door mounting.

If sufficient clearance is not available, pull the framework completely out and on the outside of each slide, you will find a black trigger (figure A), which releases the slides and disassembles the framework from the floor mounted slides. Remove the wood frame, line up rear screw locations with your pencil marks and install the rear screws. Then re-assemble the wood frame.

Top Mount Waste Containers



Each unit comes with a detailed instruction sheet for an easy install.



NEW 150 Pound Slides (Front View)

Adjustable Rear Mounting Bracket/Socket On NEW 150 Pound Slides

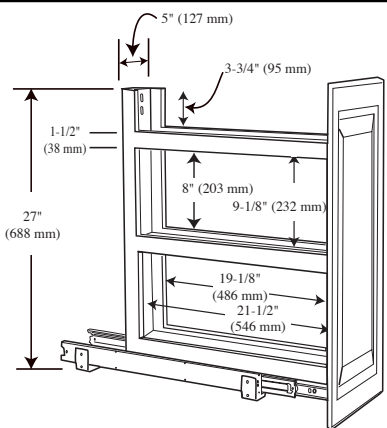
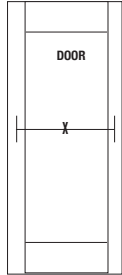


Pull-Out Shelf 448-05C, 448-08C



STEP 1:
Center the tri-slides in cabinet and attach with screws.

STEP 2:
For door mounting, utilize the adjustable mounting brackets provided on front of unit.



Depth of Unit (closed): 22-3/8" (569 mm)

STEP 3:
Chrome rails are provided to press fit into the predrilled holes on the sides of each shelf.

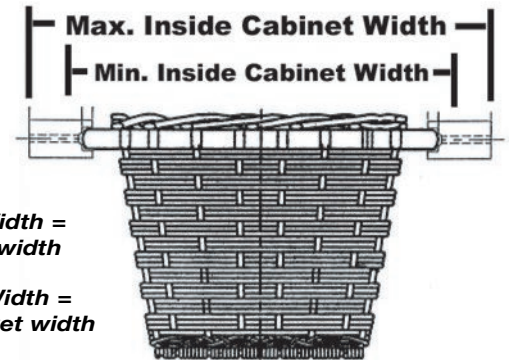
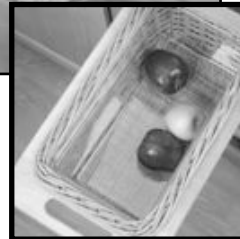
Wicker Baskets



Rev-A-Shelf Wood Classic Wicker Baskets come with rails that can be cut to your desired width. Standard Rails are 2" in width, Euro Rails - 1-1/8"

Due to various applications, screws are not included.

Clear Polymer inserts to prevent contact with wicker when using basket for fruit or cloth items.



Min. Inside Cabinet Width = 1" larger than basket width

Max. Inside Cabinet Width = 3.34" larger than basket width

Euro Max. Inside Cabinet Width = 1.57" (39.9 mm) larger than basket width

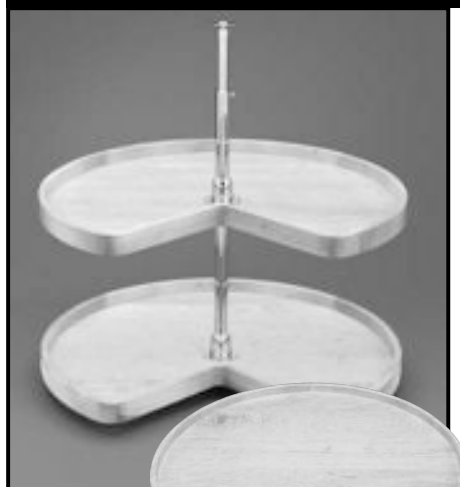
Wood Lazy Susans Full Circle



- | | |
|----------------|--------------------------|
| 4WLS001-18-52 | Tray Only |
| 4WLS001-28-52 | |
| 4WLS001-32-52 | |
| 4WLS001-18-8 | Bulk Trays |
| 4WLS001-28-8 | |
| 4WLS001-32-8 | |
| 4WLS021-18-52 | Single Tray w/ Hardware |
| 4WLS021-28-52 | |
| 4WLS021-32-52 | |
| 4WLS072-18-52 | Two Trays w/ Hardware |
| 4WLS072-28-52 | |
| 4WLS072-32-52 | |
| 4WLS073-18-536 | Three Trays w/ long post |

STEP 1:
See template for placement and instructions.

Wood Lazy Susans Kidney Shaped



- | | |
|---------------|-------------------------|
| 4WLS401-24-52 | Tray Only |
| 4WLS401-28-52 | |
| 4WLS401-32-52 | |
| 4WLS401-24-8 | Bulk Trays |
| 4WLS401-28-8 | |
| 4WLS401-32-8 | |
| 4WLS421-24-52 | Single Tray w/ Hardware |
| 4WLS421-28-52 | |
| 4WLS421-32-52 | |
| 4WLS472-24-52 | Two Trays w/ Hardware |
| 4WLS472-28-52 | |
| 4WLS472-32-52 | |

STEP 1:
See template for placement and instructions.