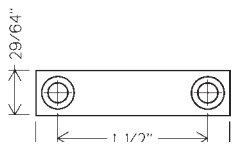
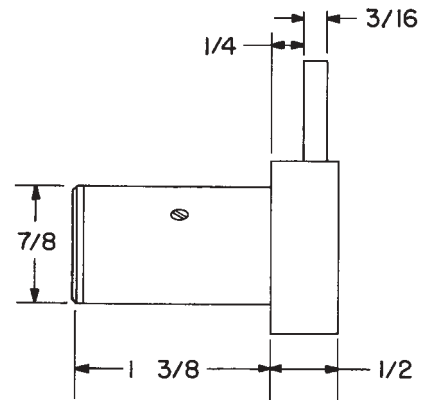
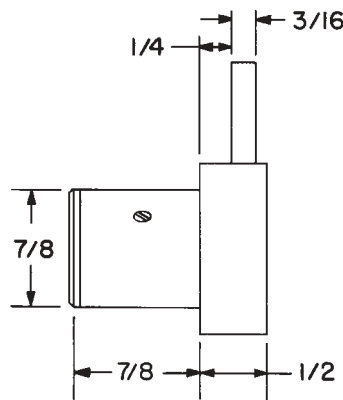
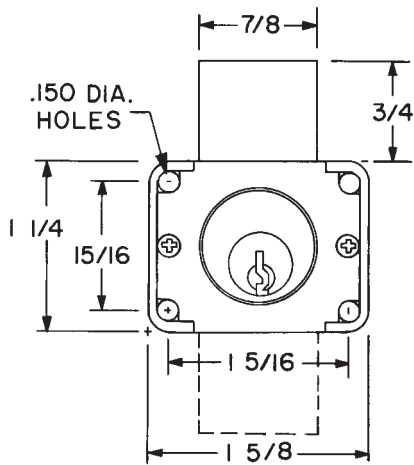
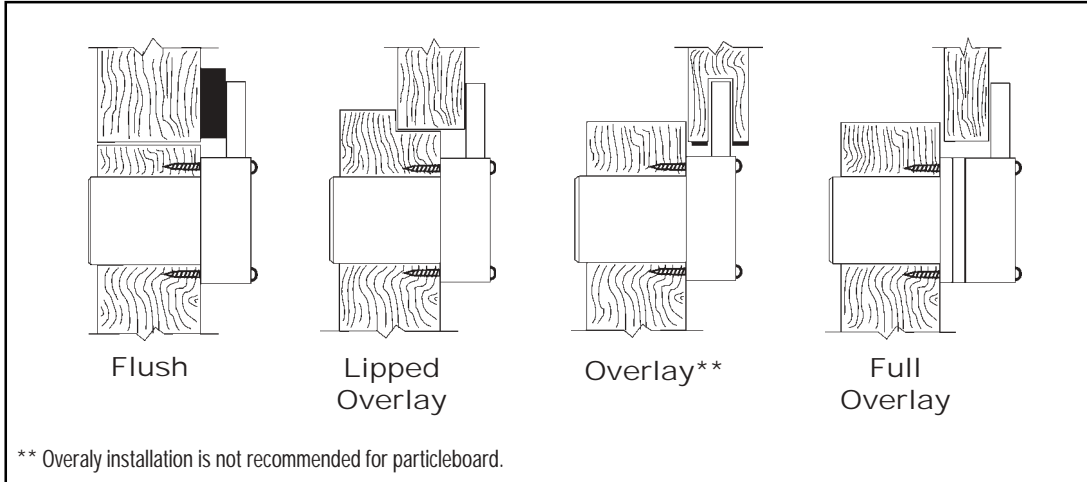


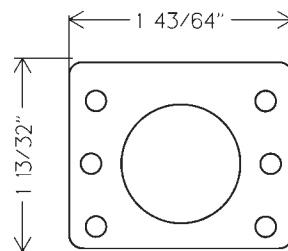
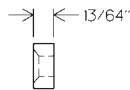
Installation Instructions

200DW

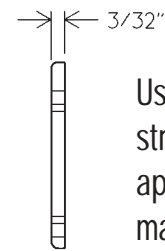
Typical Installation



56-1 - bar strike



WP21 - $3/32$ " spacer



Use of spacers and strikes depends on application and material thickness.

Title Installation instructions for 200DW series cabinet drawer lock				
Series 200DW	Barrel Length 7/8" or 1-3/8"	Bolt type Deadbolt	Mounting Surface	Revision Date 06/2004

