

DualAxes[®] by CompX Security Products

- an innovative combination cam lock with key override.

DualAxes[®] can be retrofit for existing wood or metal applications to give keyless access and to eliminate keys. The lock can be mounted **vertically or horizontally** on flush, overlay or lipped/overlay applications. Attach the cam for 90° latching in any direction, based on individual application needs.

To change the combination, the current combination and a valid key is needed. 10,000 possible combinations – any four digit number – are available.

DualAxes[®] by CompX can be operated using either a combination or a key. Once unlocked, rotate the housing 90° clockwise to unlatch.

Unlock using combination:

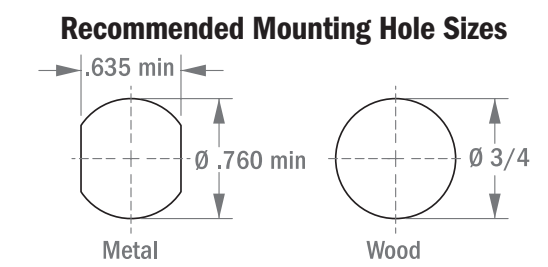
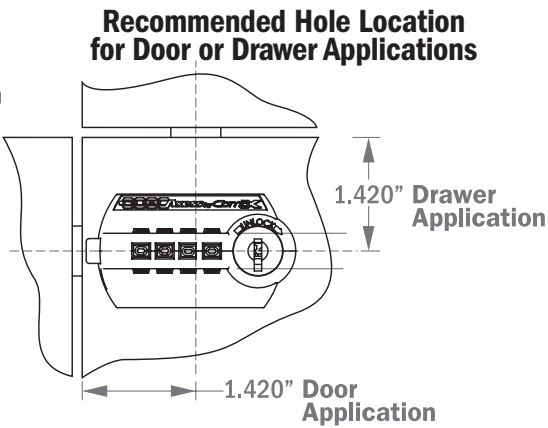
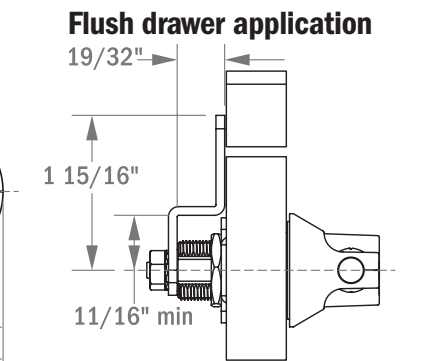
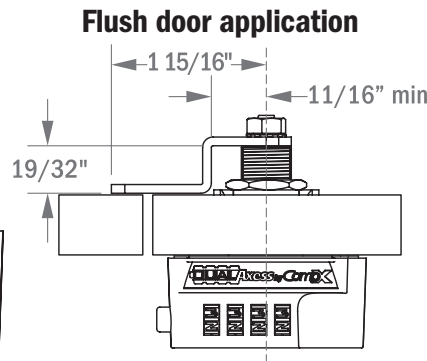
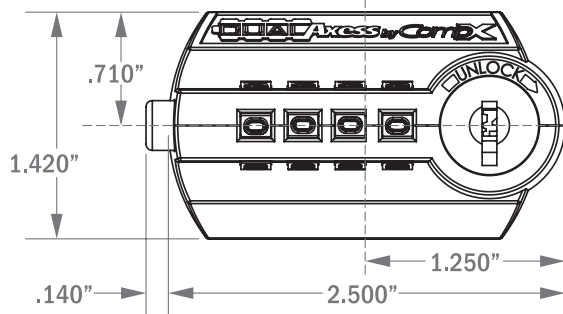
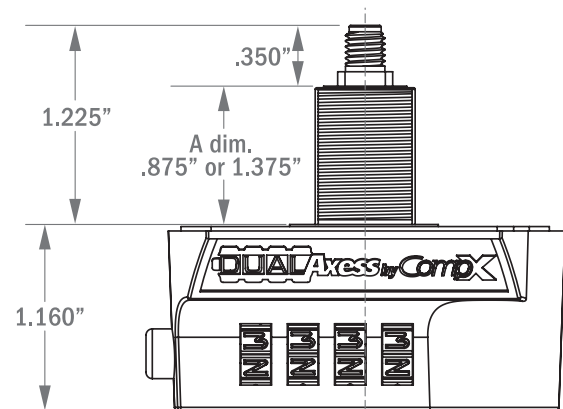
- ➔ **Factory set combination is 0-0-0-0.**
- ➔ Turn wheels until correct combination appears in the combination windows.
- ➔ Press button, rotate housing to unlatch.
- ➔ Scramble wheels to lock.

Unlock using key:

- ➔ Insert key into lock plug; rotate key 90° clockwise.
- ➔ Rotate housing to unlatch.
- ➔ **Important:**
Rotate key 90° counterclockwise to lock.

Part Number	Reference Number	Cylinder Length	Maximum Material Thickness	MKKA Codes*	MKKD Codes	Case Quantity	Key Blank	Plug Removal Key	Master Key
D8030	M4-8030	7/8"	5/8"	3	60	10	D8770	D8771	D8772
D8031	M4-8031	1 3/8"	1 1/8"	3	60	10	D8770	D8771	D8872

* Key Codes: DA108, DA120, DA124



Note: Do not use spur washer with metal door or drawer.

For more information on changing combinations, removing lock plugs, and more, visit compX.com/dualaxess.html

Note: warranty will **not** cover forgotten or incorrectly set combinations.