

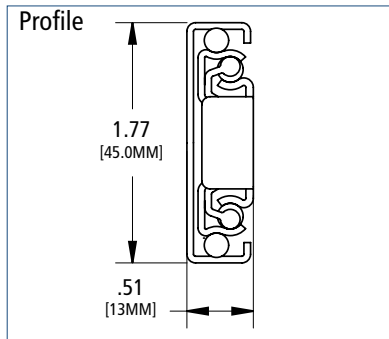
6400 Stainless Steel Drawer Slide



Number	6400 Full Extension Stainless Steel Drawer Slide
Mounting	Side
Action	Telescopic Movement on Ball Bearings
Load Rating	75-Pound Class
Height	1-49/64"
Clearance	.51", plus .030" minus 0" each side
Finish	Stainless Steel (SS)
Key Features	<ul style="list-style-type: none"> • 304-Grade stainless steel ideal for use in wet or corrosive environments • USDA H-1 approved grease • Lever disconnect

Size, Finish, & Pack Availability

Available Pack Configurations		Screws
Poly (P)	1 Set per Bag; 10 Sets per Carton	Yes



6400 Stainless Steel (SS) Finish	
Size	Poly (P)
16 in.	6400P SS 16
18 in.	6400P SS 18
20 in.	6400P SS 20
22 in.	6400P SS 22

Recommended Fasteners

#7 x 1/2" Stainless Steel Panhead Screw