

**Mounting Instructions**  
**FR5000 Series Ballbearing Full-Extension Drawerslide**

Lengths: 250 to 700mm (10 to 28in.)

This Package contains one high-quality ballbearing slide set (2 slides) including screws and Mounting instructions.

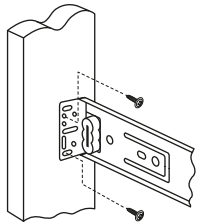
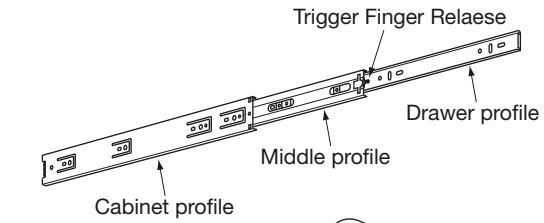
Item#	Description	Length	Color	Item#	Description	Length	Color
400210	FR5000	250mm/10in.	Zinc	400215	FR5000	500mm/20in.	Zinc
400211	FR5000	300mm/12in.	Zinc	400216	FR5000	550mm/22in.	Zinc
400212	FR5000	350mm/14in.	Zinc	400217	FR5000	600mm/24in.	Zinc
400213	FR5000	400mm/16in.	Zinc	400218	FR5000	650mm/26in.	Zinc
400214	FR5000	450mm/18in.	Zinc	400219	FR5000	700mm/28in.	Zinc

**Before you begin**

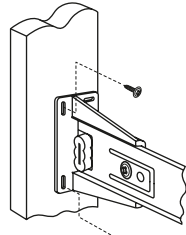
- Read all instructions thoroughly before beginning installation.
- Make sure you have all parts required before beginning installation.

**Step 1.**

- Identify the different parts of the drawerslide:
  - a) drawer profile (removable)
  - b) middle profile
  - c) cabinet profile
  - d) trigger finger release
- Identify the type of cabinet you have: Face frame or frameless.



Rear mounting bracket, metal. For use on face frame cabinets.



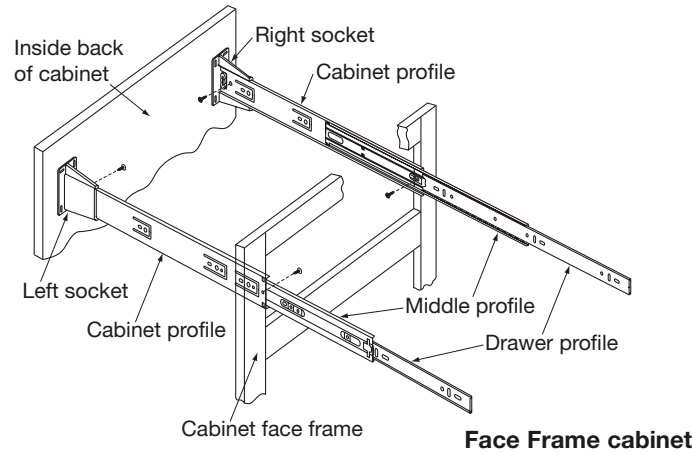
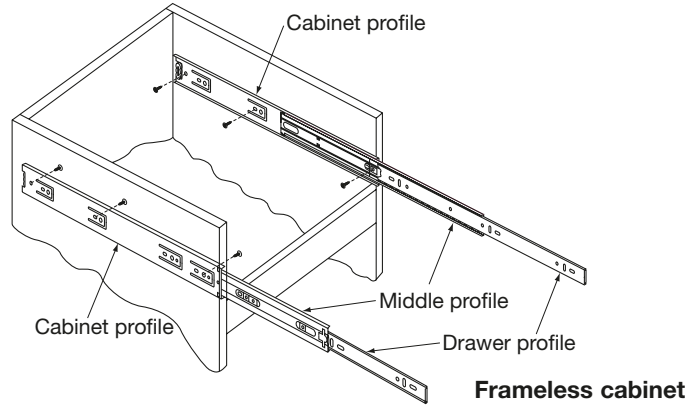
Rear mounting bracket, plastic. For use on face frame cabinets.



Wood Screw

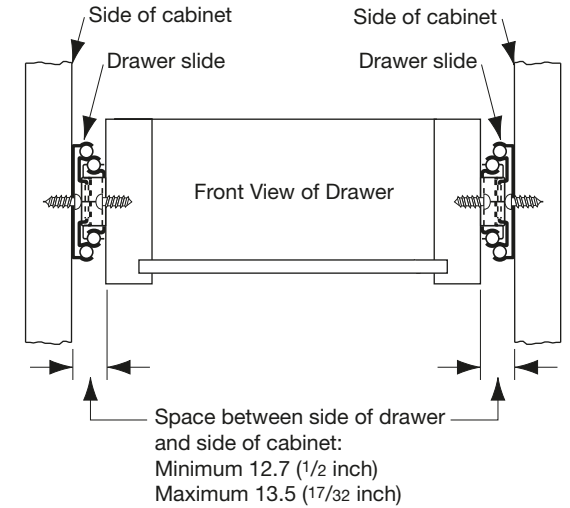


Euro Screw



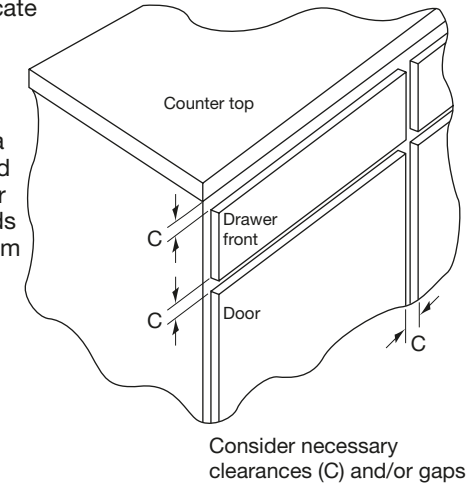
**Step 2.**

Check that the side clearance between drawer and cabinet side is at least 12.7mm (1/2in.) on each side. Maximum allowable clearance is 13.5mm (17/32 in.)



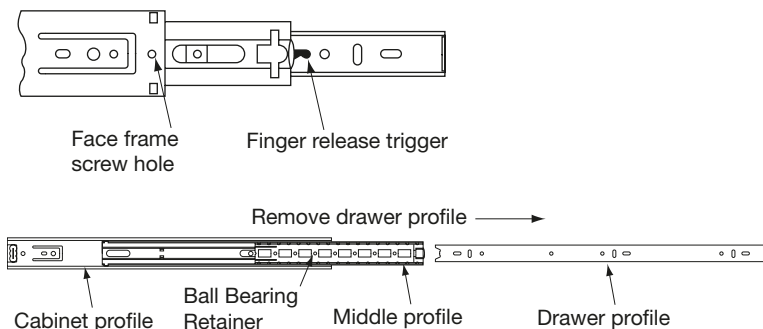
**Step 3.**

Determine where to locate the drawerslide on the cabinet and on the drawer. Take into consideration the clearances required if a drawer front is attached to the drawer. A drawer front must clear towards the top, side and bottom if a countertop or adjoining drawer fronts and doors are present.



**Step 4.**

Separate the drawer profile from the middle and cabinet profile by pushing the disconnect finger release trigger to one side while simultaneously pulling it out until it has come all the way out and disconnected.



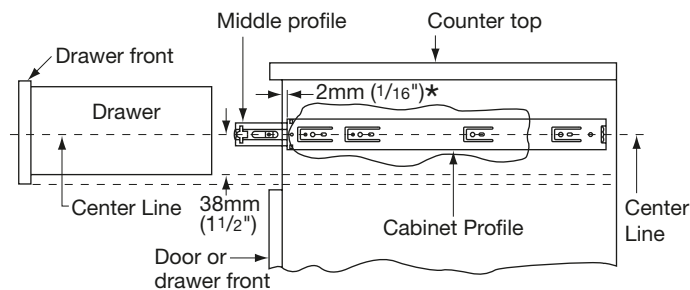
**Step 5.**

**Frameless cabinet application:**

- Mark your centerlines on both the cabinet sides and drawer box for frameless applications.
- Attach cabinet profile to the inside of cabinet on centerline as illustrated with the appropriate screws.

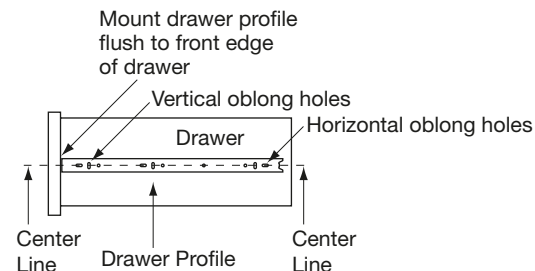
**Frameless cabinet**

\* Be sure that the cabinet profile is set back 2mm (1/16") from the front edge of the cabinet



- Attach drawer profile portion of the slide to the side of the drawer on centerline as illustrated with the appropriate screws.

**Face frame cabinet application (continued):**

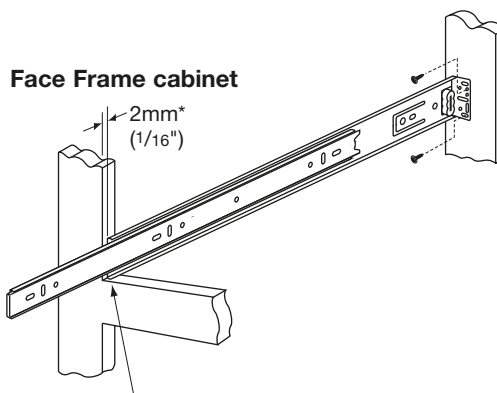


**Tip:**

Using only 2 screws first in a front and rear oblong hole will allow fine adjustment up or down or in and out before final attachment on the round holes is made.

**Face frame cabinet application:**

**Face Frame cabinet**



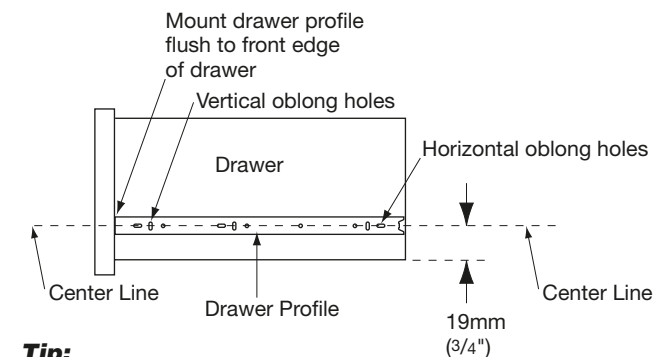
Mount cabinet profile into corner of the cabinet face frame

\* Be sure that the cabinet profile is set back 2mm (1/16") from the front edge of the cabinet

Disclaimer: Fulterer drawerslides warranty and liability is expressly limited to the replacement of the defective goods and not any consequential or incidental damages. Any warranty claims may be reported on our web site: [www.fultererusa.com](http://www.fultererusa.com)

**Face frame cabinet application (continued):**

- Attach drawer profile portion of the slide to the side of the drawer on centerline as illustrated with the appropriate screws.
- Slide mounting bracket onto rear of the cabinet profile and slide drawer profiles mounted on drawer into the middle profile and all the way into the closed position.
- Position the mounting brackets on the rear inside cabinet and mark with a pencil around the sockets.
- Take drawer back out and align mounting brackets to pencil marks, then attach mounting brackets to rear inside cabinet with screws.
- Slide drawer profiles mounted on drawer into the middle profile and all the way into the closed position.



**Tip:**

Using only 2 screws first in a front and rear oblong hole will allow fine adjustment up or down or in and out before final attachment. For final attachment install screws into the round holes.

**Step 6**

- Check the alignment of the drawer, the drawer front and all the clearances before tightening all screws.
- Drawer insertion: Be sure that the ends of the drawer profiles pass freely thru the black plastic guides on the front of the middle profile. Be sure that the ball bearing retainer is pulled forward against the black plastic guides on the front of the middle profile to allow the tapered ends of the drawer profile to pass in between the balls on the retainer. Push drawer all the way in. There may be some resistance the first time to synchronize all the balls in the retainer. Never use force when inserting drawer, damage to the retainers may occur.
- Drawers should move smoothly without any binding.
- Installation is now complete.