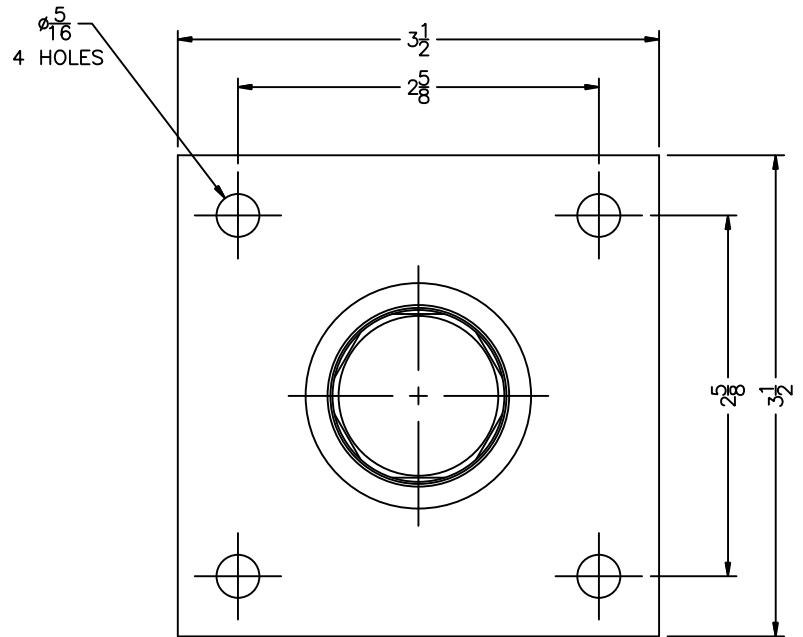
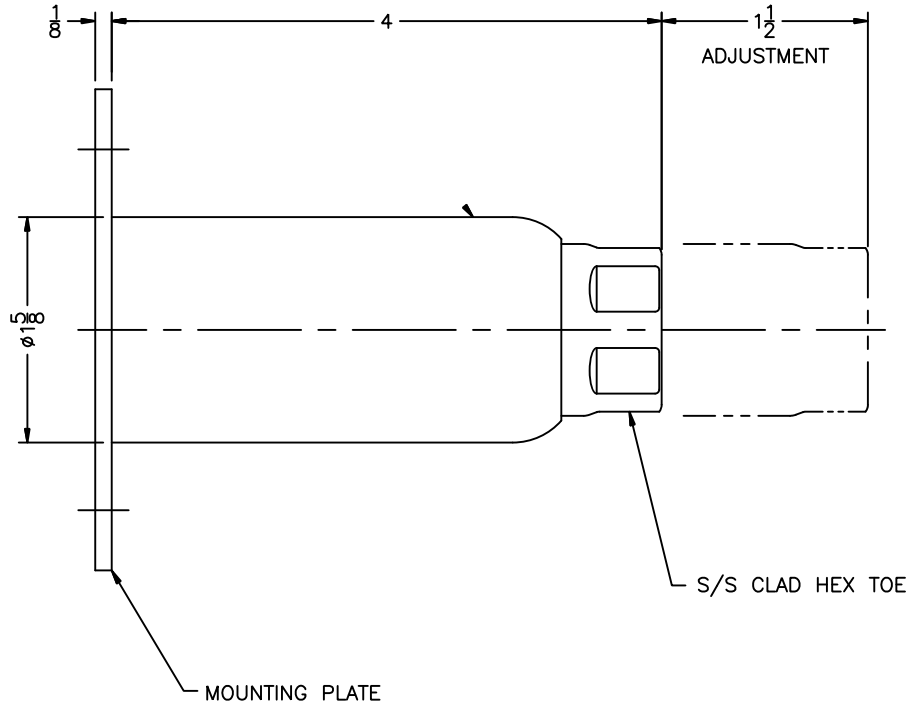


REVISIONS			
REV	DESCRIPTION	DATE	INITIALS



(MATERIAL: S/S LEG ASSEMBLY; ZP STEEL MTG PLATE)

UNLESS OTHERWISE SPECIFIED:
DIMENSIONS ARE IN INCHES
TOLERANCES
DECIMALS ANGULAR
.XX ± .015 ± 1°
.XXX ± .005
DO NOT SCALE DRAWING

COMPONENT HARDWARE GROUP, INC.
LAKEWOOD, NEW JERSEY

4" HIGH 1 5/8" OD S/S LEG
W/ REMOVABLE MTG PLATE

DRAWN GPM DATE 02-26-01

SCALE 1/1

PLOT DATE 02-26-01

SIZE B DWG NO. A48-5032-C REV