

# CLIP top 110° hinges

Supplement to  
Concealed hinges  
LIT.HNG1000.12.10

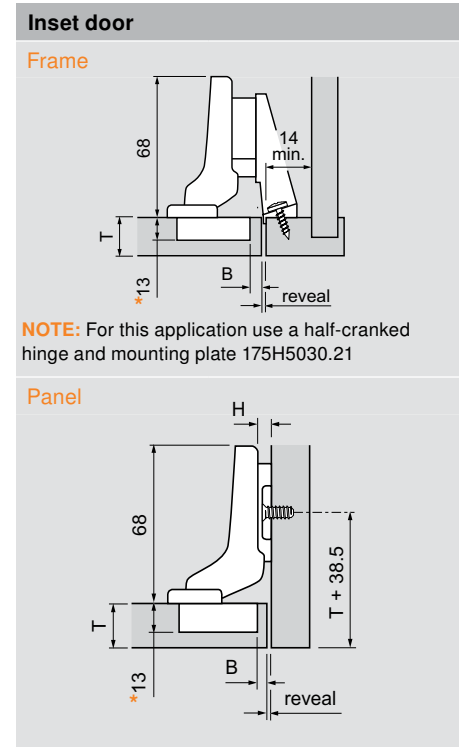
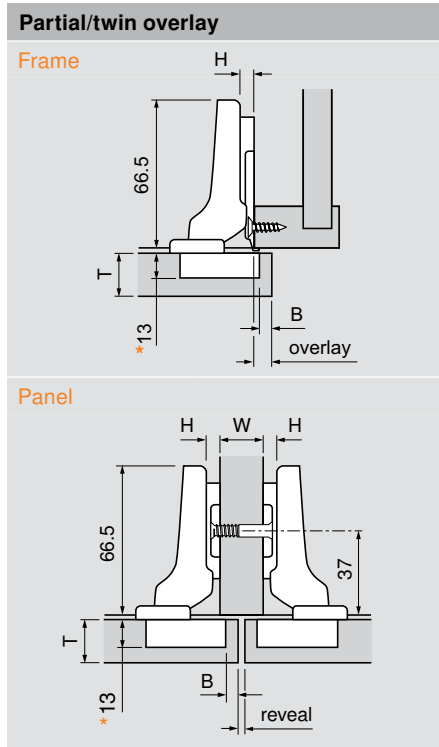
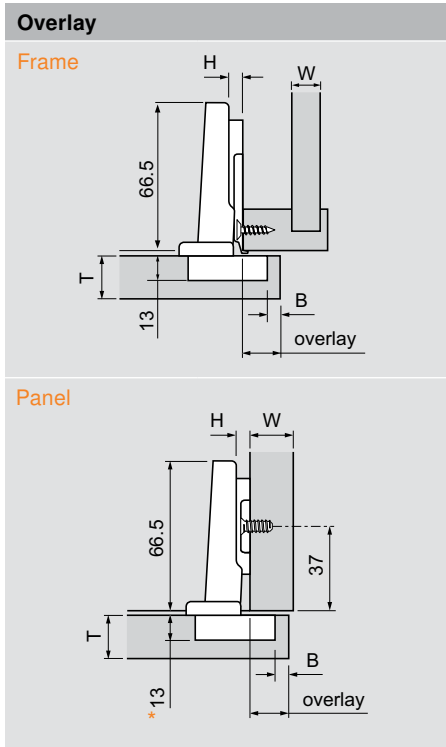


## Features

- 110° opening angle
- New geometry for door thicknesses up to 26 (1")
- New INSERTA design
- New boring distance range 3 — 7 mm
- Three-dimensional adjustment
- Compatible with existing CLIP mounting plates and hinge arm cover caps

Minimum reveal table					
3	0.5	1.0	1.8	2.7	4.3
4	0.5	1.0	1.7	2.5	3.8
5	0.5	0.9	1.7	2.4	3.4
6	0.5	0.9	1.6	2.3	3.2
7	0.5	0.9	1.6	2.2	3.0
B = boring dist.	16	19	22	24	26
T = door thickness					

Thickness greater than 26 trial application recommended



**NOTE:** For this application use a half-cranked hinge and mounting plate 175H5030.21

\* All 35 mm and 8 mm holes must be a minimum of 13 mm deep

H	Overlay					P	S
0	14	15	16	17	18	12	21.5
3	11	12	13	14	15	15	24.5
4.5	9.5	10.5	11.5	12.5	13.5	16.5	26
6	8	9	10	11	12	18	27.5
9	5	6	7	8	9	21	30.5
	3	4	5	6	7	Fixed distance = 11	
	B = boring distance						

**NOTE:** 4.5 plate is only for use in frame cabinets, 9 plate is only for panel cabinets

H	Overlay					P	S
0	4.5	5.5	6.5	7.5	8.5	21.5	31
	3	4	5	6	7	Fixed distance = 1.5	
	B = boring distance						

H	Reveal					P	S
0	4	3	2	1	—	30	39.5
	3	4	5	6	7	Fixed distance = -7	
	B = boring distance						

H	Reveal				W	P	S
	7	5	3	1	—	16	
0	10	8	6	4	2	19	21.5 31
	13	11	9	7	5	22	
	3	4	5	6	7		
	B = boring distance						

Abbreviations	
H	= Plate height
P	= Door protrusion
S	= Side arm protrusion
W	= Side panel width

Straight-arm	Self close	Free swing
Screw-on	71T3550	70T3550.TL
Press-in	71T3580	70T3580.TL
EXPANDO	71T358E	
INSERTA	71T3590	70T3590.TL

Half-cranked	Self close	Free swing
Screw-on	71T3650	70T3650.TL
Press-in	71T3680	
INSERTA	71T3690	

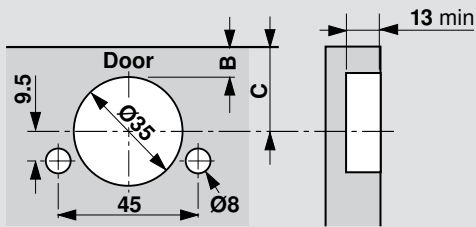
Full-cranked	Self close	Free swing
Screw-on	71T3750	70T3750.TL
Press-in	71T3780	
INSERTA	71T3790	

\* All 35 mm and 8 mm holes must be a minimum of 13 mm deep

# CLIP top 110° hinges

Supplement to  
Concealed hinges  
LIT.HNG1000.12.10

## Hinge cup centerpoint

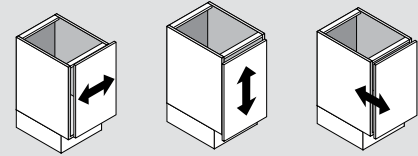


C Cup centerpoint					
20.5	21.5	22	22.5	23.5	24.5
13/16"	27/32"	7/8"	29/32"	15/16"	31/32"
<b>3</b>	<b>4</b>	<b>4.5</b>	<b>5</b>	<b>6</b>	<b>7</b>
B Bore distance					

Cup centerpoint is the MINIPRESS or MINIDRILL fence depth position.

## Adjustments

Side (±2 mm)      Height (±2 mm)      Depth (+3/-2 mm)

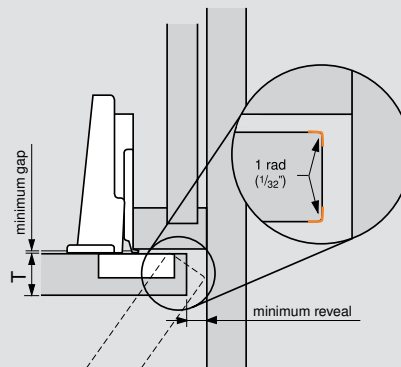


## Geometry for thick door applications

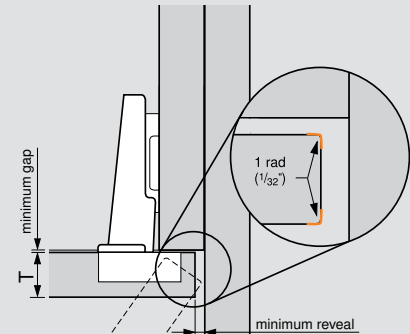
Minimum reveals increase with door thickness. The following applications show common examples of necessary reveal and door gap for each door thickness.

The factory setting for the door gap (distance between the door and front of side panel/frame) is 1.5 mm. For full opening angle without contacting the side panel or frame, the gap behind the door and the minimum reveal must be adjusted according to the table below.

### Frame application



### Panel application



**NOTE:** All dimensions based on 1 mm door radius

3/4" thick door		
Minimum reveal	B Bore	Minimum gap behind door
1.0	<b>3</b>	1.5
1.0	<b>4</b>	1.5
.9	<b>4.5</b>	1.5
.9	<b>5</b>	1.5
.9	<b>6</b>	1.5
.9	<b>7</b>	1.5

7/8" thick door		
Minimum reveal	B Bore	Minimum gap behind door
1.8	<b>3</b>	1.5
1.7	<b>4</b>	1.5
1.7	<b>4.5</b>	1.5
1.7	<b>5</b>	1.5
1.6	<b>6</b>	1.5
1.6	<b>7</b>	1.5

1" thick door		
Minimum reveal	B Bore	Minimum gap behind door *
4.3	<b>3</b>	1.5
3.8	<b>4</b>	1.5
3.6	<b>4.5</b>	2.0
3.4	<b>5</b>	2.2
3.2	<b>6</b>	3.2
3.0	<b>7</b>	4.2

\* Factory setting is 1.5, may require adjustment

## Knock-in tool and insertion ram

Knock-in tool



Insertion ram

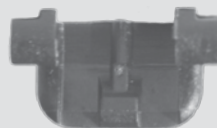


Part no.

Knock-in tool	<b>ZME.0710</b>
Insertion ram	<b>MZM.0040</b>

## Angle restriction clip

Restricts opening angle of the CLIP top and CLIP top BLUMOTION 110° and 110°+ hinges to 86°. Angle restriction clip can be inserted/removed before or after the hinge has been installed.



Part no.

Angle restriction clip	<b>70T3553</b>
------------------------	----------------

## Hinge cup cover cap

For use with CLIP top and CLIP top BLUMOTION hinges only. Suitable for screw-on, press-in and EXPANDO hinge cups.



Part no.

Hinge cup cover cap	<b>70T3504</b>
---------------------	----------------