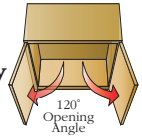
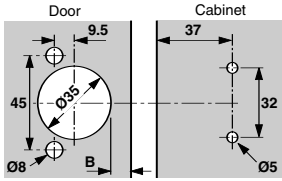


blum® Concealed Hinges, 120° Clip Top

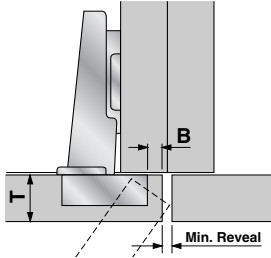
Limited Lifetime Warranty



Boring Pattern



Minimum Reveal



T	16	18	19	20	22	24
3	1.2	1.7	2.0	2.4	3.3	4.5
4	1.2	1.7	2.0	2.3	3.1	4.2
5	1.1	1.6	1.9	2.2	3.0	4.0
6	1.1	1.6	1.9	2.2	2.9	3.9

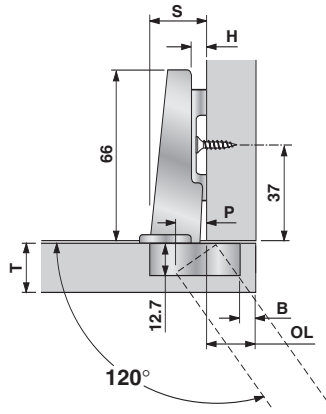
Table applies to all applications

Cross reference the door thickness (T) to the boring distance (B) on your application to find the minimum reveal

Mounting plates sold separately see pages 166-167

Overlay Applications

Straight Hinge

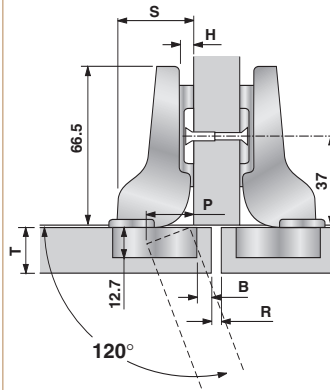


H Plate Ht.	B Bore Distance						Interior Clearance	
	3	4	5	6	P	S		
0	14	15	16	17	11.5	20.5		
3	11	12	13	14	14.5	23.5		
4.5	9.5	10.5	11.5	12.5	16	25		
6	8	9	10	11	17.5	26.5		
9	5	6	7	8	20.5	29.5		

Fixed Distance (X) = 11

NOTE: 4.5 plate only available for face frame, 9 plate only available for panel cabinets.

Half Cranked Hinge

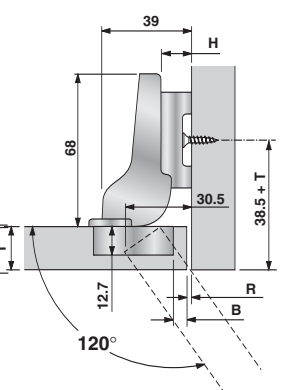


H Plate Ht.	B Bore Distance						Interior Clearance	
	3	4	5	6	P	S		
0	4.5	5.5	6.5	7.5	21.5	30		
3	1.5	2.5	3.5	4.5	24.5	33		
6			5	1.5	27.5	36		

Fixed Distance (X) = 1.5

Inset Application

Half Cranked Hinge



H Plate Ht.	B Bore Distance					
	3	4	5	6		
9	4.5	3.5	2.5	1.5		

Fixed Distance (X) = 1.5
Reveal = H - (X + B)

R= Reveal
X= Fixed distance
B= Boring distance
H= Plate Height

Alternate hinge & mounting plate: any straight hinge + 18mm plate

$$\text{Overlay (OL)} = \text{Boring Distance (B)} + \text{Fixed Distance (X)} - \text{Plate Height (H)}$$

$$\text{OL} = \text{B} + \text{X} - \text{H}$$

Swing Type Cup Mount

Swing Type	Cup Mount	Product Code 1	Product Code 2	Product Code 3
Self-Closing	Screw-on	B071T5550	B071T5650	B071T5650
	Press-in	B071T5580	B071T5680	B071T5680
	INSERTA	B071T5590B	B071T5690B	B071T5690B
	Expando	B071T558E		
Free-swinging	Screw-on	B070T5550.TL	B070T5650.TL	B070T5650.TL
	Press-in	B070T5580.TL	B070T5680.TL	B070T5680.TL
	INSERTA	B070T5590B.TL	B070T5690B.TL	B070T5690B.TL