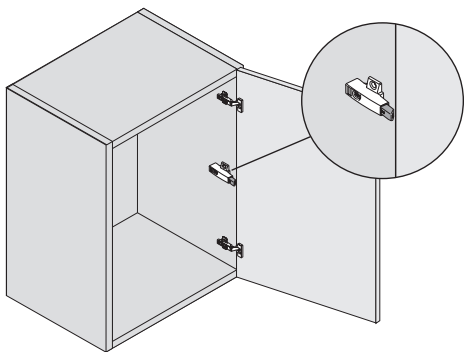


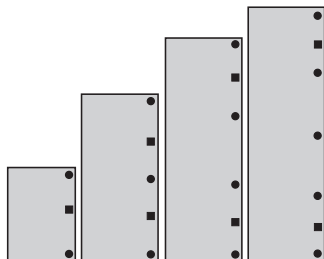
↑ blum BLUMOTION for CLIP top Hinge Series

Cabinet Mount 971A

- Adjustable to various door sizes and weights
- Nickel plated zinc die cast construction
- Installed onto hinge side panel
- For use with straight arm hinge and either 0mm or 3mm mounting plate
- Quantity needed may vary depending on door size and weight; trial application recommended (see diagram)
- Easy retro fit for existing cabinets



- Hinges
- BLUMOTION 971A



Wing Plate (Screw-On)

- 37mm set back
- 32mm apart
- Attach with #6 wood screws
- Adjustment screw on top

Screws included

B971A0500 0mm



Face Frame Adapter Plate (Screw-On)

- 9.5mm set back
- 32mm apart
- Attach with #6 wood screws
- Adjustment screw on top

Screws included

B971A0700 0mm