

SPACE CORNER

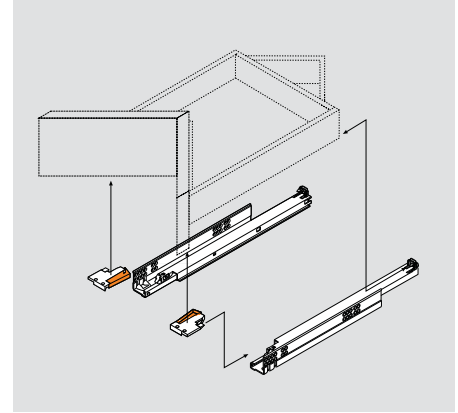
Application



Description

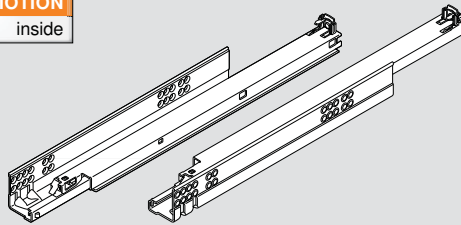
- Use longer length heavy duty TANDEM plus BLUMOTION runners
- Requires special cabinet and drawer construction (see note below)
- For **16** (5/8") max. drawer side material use TANDEM plus 568. series
- For **19** (3/4") max. drawer side material use TANDEM plus 568A series
- Dynamic load capacity of 110 lb
- Static load capacity of 125 lb

Basic components



Components

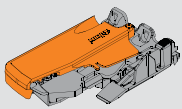
One set required per drawer



Corner cabinet size	Maximum 5/8" drawer side thickness	Maximum 3/4" drawer side thickness
36", 39" or 42"	568.6860B01	568A6860B01

NOTE: SPACE CORNER requires special cabinet and drawer construction. See suggestions on cabinet construction at www.blum.com.

Standard locking device



- One right and one left required per drawer
- Minimum inside drawer width **121** (4-3/4")
- Height adjustable **+3** (1/8")

NOTE: See page 50 for other options

Part no.

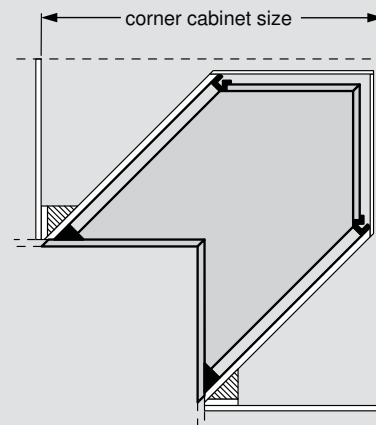
Right locking device T51.1700.04 R

Left locking device T51.1700.04 L

Installation screw 612TH

page 15

Measuring corner cabinet size

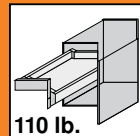


Using TANDEM page 14

Drawer preparation page 15

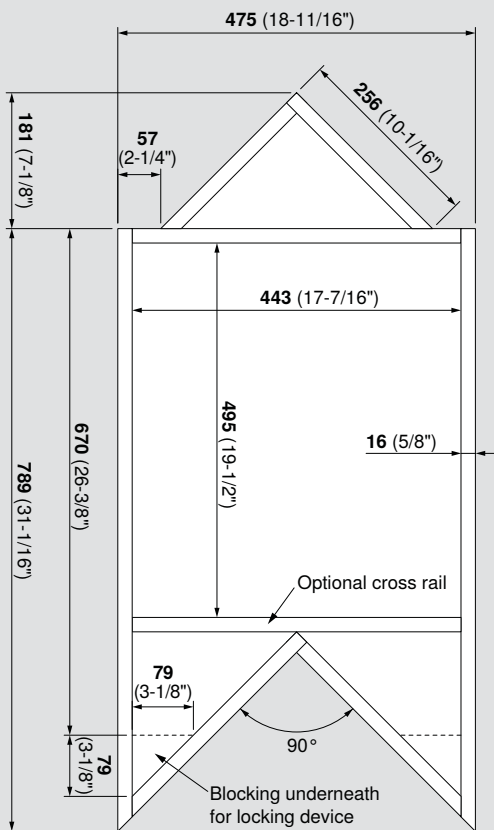
Accessories page 54

Assembly aids page 56

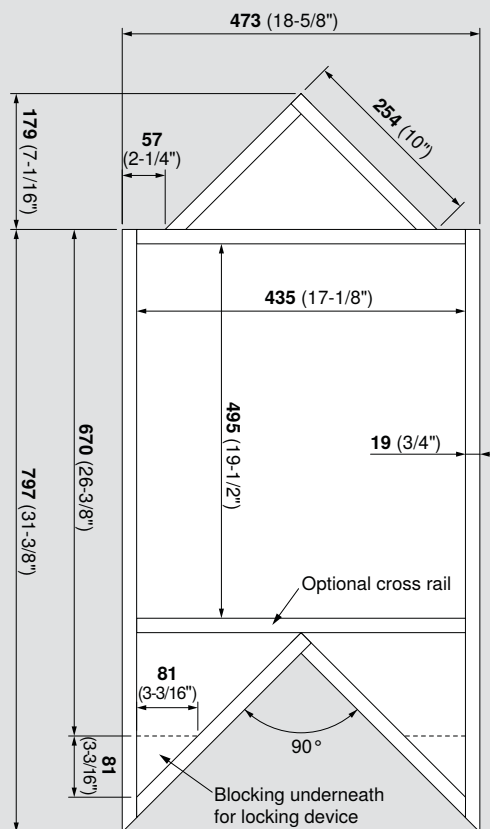


Drawer construction

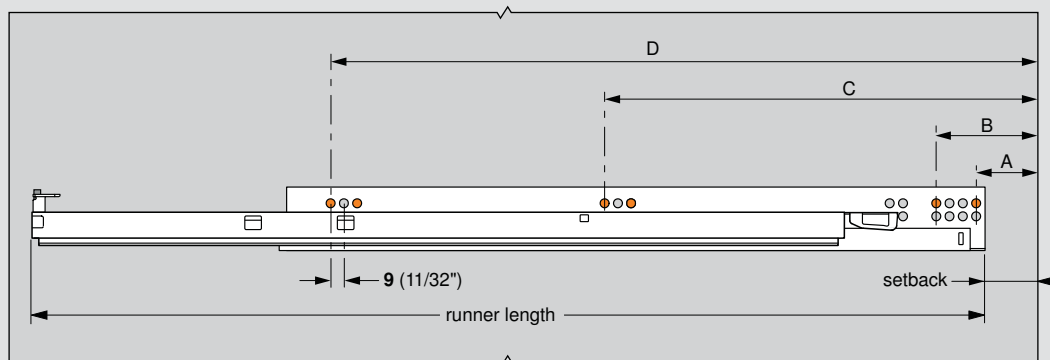
For a 39" SPACE CORNER using 5/8" material and 568.6860B



For a 39" SPACE CORNER using 3/4" material and 568A6860B



Mounting locations



TANDEM plus BLUMOTION	Drawer material	Setback	A	B	C	D
568.6860B01	16 (5/8")	108 (4-1/4")	114 (4-1/2")	141 (5-9/16")	365 (14-3/8")	493 (19-3/8")
568A6860B01	19 (3/4")	117 (4-5/8")	123 (4-7/8")	150 (5-15/16")	374 (14-3/4")	502 (19-3/4")

NOTE: Detailed drawings for cabinet construction are available at www.blum.com