

# TANDEM plus BLUMOTION 563.

Product info
TANDEM plus BLUMOTION
New product

## Application



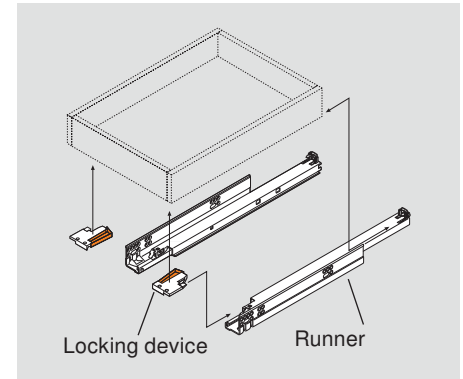
## New features

- Four-dimensional adjustment
- Elongated holes for depth adjustment
- Bottom mounting holes
- 100 lb static load capacity

## Also features

- Full extension concealed drawer runners
- Panel or blocked-out face frame cabinets
- BLUMOTION soft closing
- TANDEM smooth running action
- Available in 18" and 21" lengths
- 13 (1/2") to 16 (5/8") drawer thickness
- Made in the U.S.A.

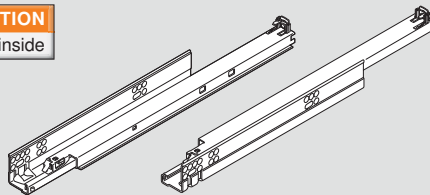
## Basic components



## Components

### Runner set

One set required per drawer



For overall cabinet depth	Drawer length	TANDEM plus BLUMOTION
533 (21")	457 (18")	563.4570B
610 (24")	533 (21")	563.5330B
Wood screw for installation		606N or 606P
System screw for installation		662.1150.HG

### Side adjustable locking device



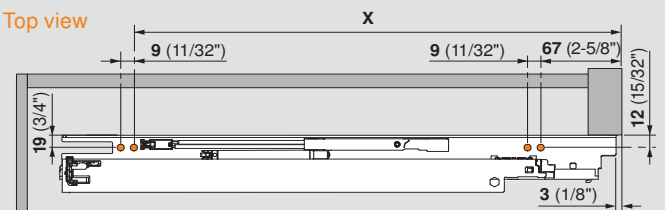
- Minimum inside drawer width 170 (6-11/16")
- Height adjustment +3 (1/8")
- Side adjustment ±1.5 (1/16")
- For use with 563/569 series runners only

Part no.

Right and left required per drawer	Right locking device	T51.1901 R
	Left locking device	T51.1901 L
	Installation screw	606N or 606P

### Bottom mount holes

Top view



Runner	All 563.
X	358 (14-3/32")

### Depth adjustable locking device



- Optional for inset applications
- Offers 2.5 (3/32") out adjustment, preset at 0
- Height adjustment +3 (1/8")
- Side adjustment ±1.5 (1/16")
- For use with 563/569 series runners only
- Minimum sub front thickness 13 (1/2")
- Designed for 13 (1/2") bottom recess
- Integrated 3 (1/8") distance bumper
- See LIT.TDM1100 for setback information

Part no.

Right and left required per drawer	Right locking device	T51.1901.PS R
	Left locking device	T51.1901.PS L
	Installation screw	606N or 606P

**NOTE:** For 563. runners, rear brackets and sockets cannot be used. Cabinet sides must be blocked-out flush with the inside of the frame.

Maximum drawer thickness 16 (5/8")

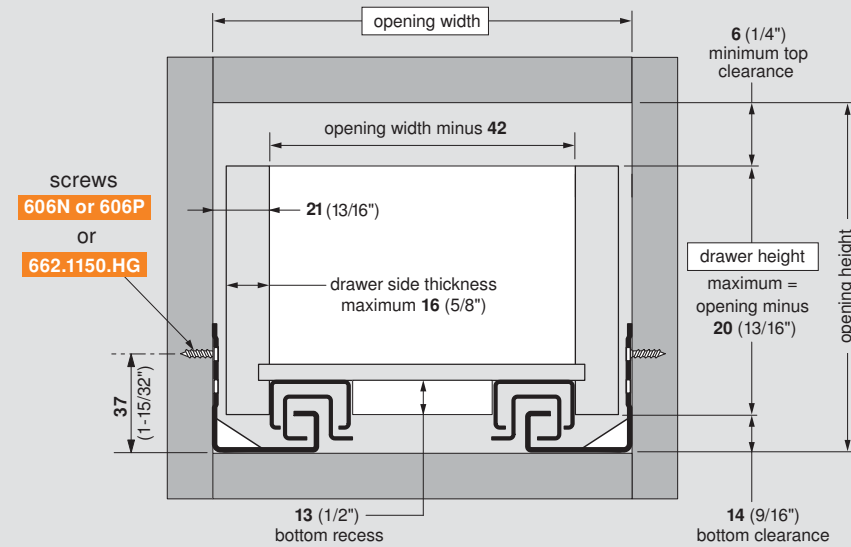
Lengths available 18" - 21"

Static load capacity 100 lb

### Drawer and cabinet specifications

#### Front view

##### Front view



**NOTE:** Material thickness may vary. Inside drawer width **must** equal opening width minus 42 for TANDEM to align and run properly.

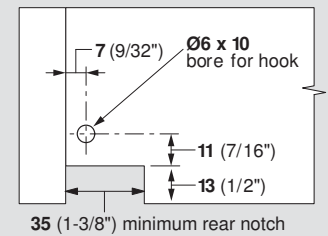
#### Calculating outside drawer width

For drawer side thickness	16 (5/8")	15 (19/32")	14 (9/16")	13 (1/2")	12 (15/32")
Deduct from inside cabinet width	10 (13/32")	12 (15/32")	14 (9/16")	16 (5/8")	18 (23/32")

**Example:** For 21" opening width and a 5/8" thick drawer, 21" minus 13/32" = 20-19/32" drawer width

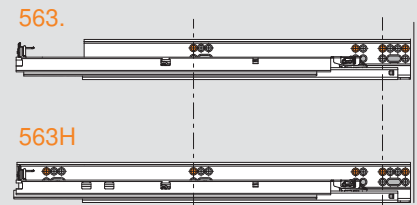
#### Drawer back preparation

##### Rear view



#### Runner comparison

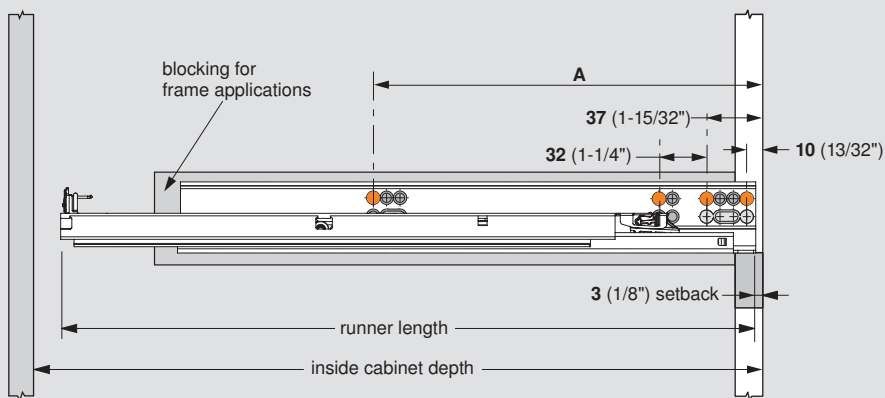
##### Side view



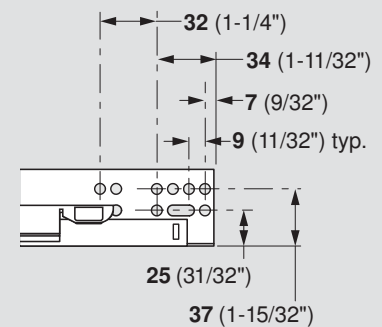
**NOTE:** Same hole pattern as the 563H

#### Runner mounting specifications

##### Side view



##### Runner close-up



**NOTE:** Elongated holes are for ±4.5 (3/16") depth adjustment only. Additional screws must be used to secure the runner to the cabinet.

**NOTE:** The orange dots indicate fixing screw locations required to meet specified load ratings.

TANDEM plus BLUMOTION	drawer length	minimum inside cabinet depth	runner length	screw location
				A
563.4570B	457 (18")	480 (18-29/32")	471 (18-17/32")	261 (10-9/32")
563.5330B	533 (21")	557 (21-15/16")	548 (21-9/16")	261 (10-9/32")