



New side adjustment

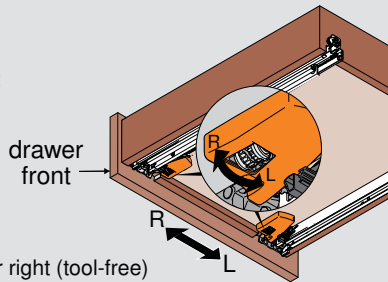
1. Rotate side adjustment left or right equally on both locking devices. Drawer front moves in the same direction as rotation.

T51.1901.xx

with locking device

Maximum 1.5 (1/16") to left or right (tool-free)

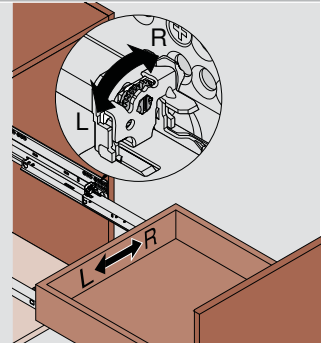
NOTE: Side adjustment not available on T51.x8xx locking devices



New rear side adjustment

2. After front side adjustment is made with the locking devices, rotate the rear side adjustment left or right to re-align the back of the drawer box with the front. Drawer back moves in the same direction as rotation.

Maximum 1.5 (1/16") to left or right (tool-free)

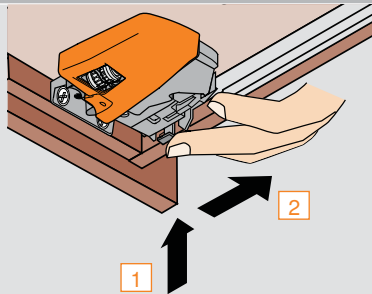


Height adjustment

1. Press up on adjustment tab
2. Push towards back of drawer

Maximum 3 (1/8") rise of drawer front (tool-free)

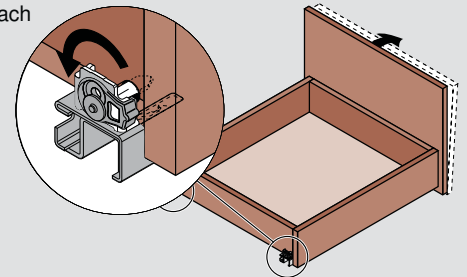
NOTE: Height adjustment available on all TANDEM locking devices



Tilt adjustment

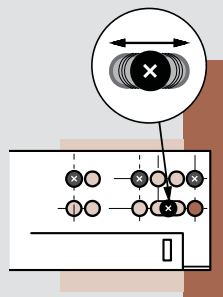
Rotate the tilt adjustment lever on the rear of each runner to tilt the top of the drawer front forward.

Maximum 5 (3/16") rise of drawer back (tool-free)



New depth adjustment on runner

TANDEM 563 and 569 runners feature elongated holes that allow ± 4.5 (3/16") depth adjustment.



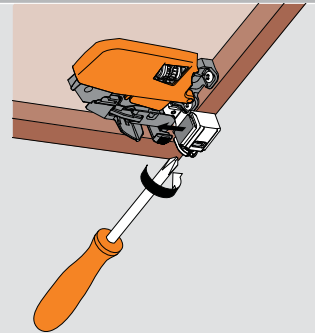
New depth adjustable locking device

Locking device

T51.1901.PS

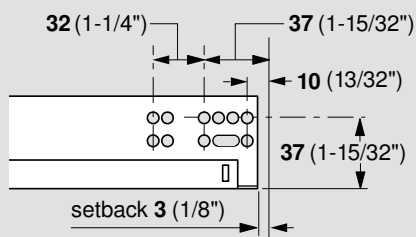
with side, height and depth adjustment

Turning the adjustment screw allows for up to 2.5 (3/32") out adjustment.



New profile setback

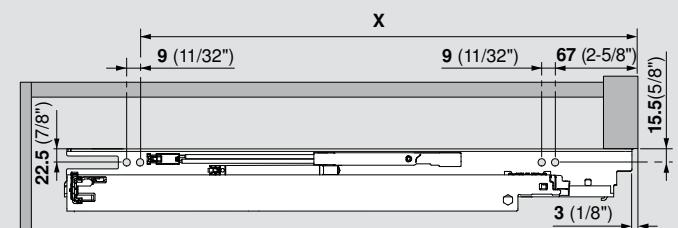
Side view



NOTE: Hole locations to the face of the cabinet stay the same. For inset applications see page 22.


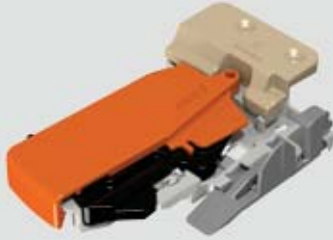

New bottom mounting option

Top view



Available on 15", 18" and 21" 563H and 563F and all 563. runners.

Without side adjustment

Standard	
One right and one left required per drawer	<ul style="list-style-type: none"> ■ For use with standard applications ■ Captive right device and self-aligning left device ■ Self-adjusting drawer length tolerance ■ Zinc die-cast with synthetic, spring-loaded release levers ■ Minimum inside drawer width 124 (4-7/8") ■ Height adjustment +3 (1/8") ■ Available spring 2013
	
	Part no.
Right locking device	T51.1801 R
Left locking device	T51.1801 L
Installation screw	606N or 606P
Vertical mount	
One right and one left required per drawer	<ul style="list-style-type: none"> ■ Vertical mount locking device used to minimize sub front splitting ■ Captive right device and self-aligning left device ■ Self-adjusting drawer length tolerance ■ Zinc die-cast with synthetic, spring-loaded release levers ■ Minimum inside drawer width 124 (4-7/8") ■ Height adjustment +3 (1/8") ■ Minimum sub front thickness 16 (5/8") ■ Designed for 13 (1/2") drawer bottom recess ■ Available spring 2013
	
	Part no.
Right locking device	T51.1801.20 R
Left locking device	T51.1801.20 L
Installation screw	606N or 606P
Narrow drawer	
One right and one left required per drawer	<ul style="list-style-type: none"> ■ For use with narrow drawers ■ Maximum dynamic load capacity 25 lb ■ Captive right device and self-aligning left device ■ Self-adjusting drawer length tolerance ■ Vertical mount, two-piece nylon ■ Minimum inside drawer width 95 (3-3/4") ■ Height adjustment +3 (1/8") ■ Minimum sub front thickness 16 (5/8") ■ Designed for 13 (1/2") drawer bottom recess ■ Available spring 2013
	
	Part no.
Right locking device	T51.0801.20 R
Left locking device	T51.0801.20 L
Installation screw	606N or 606P

Locking devices for 563/569 series

With side adjustment

Standard

One right and one left required per drawer



- With side-to-side adjustment
- Captive right device and self-aligning left device
- Self-adjusting drawer length tolerance
- Steel base with synthetic, spring-loaded release levers
- Minimum inside drawer width **170** (6-11/16")
- Height adjustment **+3** (1/8")
- Side adjustment ± 1.5 (1/16")

Part no.

Right locking device	T51.1901 R
Left locking device	T51.1901 L
Installation screw	606N or 606P

Vertical mount

One right and one left required per drawer



- Vertical mount locking device used to minimize sub front splitting
- Captive right device and self-aligning left device
- Self-adjusting drawer length tolerance
- Steel base with synthetic, spring-loaded release levers
- Minimum inside drawer width **170** (6-11/16")
- Height adjustment **+3** (1/8")
- Side adjustment ± 1.5 (1/16")
- Minimum sub front thickness **16** (5/8")
- Designed for **13** (1/2") drawer bottom recess
- **Available spring 2013**

Part no.

Right locking device	T51.1901.20 R
Left locking device	T51.1901.20 L
Installation screw	606N or 606P

Depth adjustable

One right and one left required per drawer



- Captive right device and self-aligning left device
- Self-adjusting drawer length tolerance
- Steel base with synthetic, spring-loaded release levers
- Minimum inside drawer width **170** (6-11/16")
- Height adjustment **+3** (1/8")
- Side adjustment ± 1.5 (1/16")
- Depth adjustment **+2.5** (3/32"), preset at **0**
- Minimum sub front thickness **13** (1/2")
- Designed for **13** (1/2") drawer bottom recess
- Integrated **3** (1/8") distance bumper for inset or overlay SERVO-DRIVE applications

Part no.

Right locking device	T51.1901.PS R
Left locking device	T51.1901.PS L
Installation screw	606N or 606P