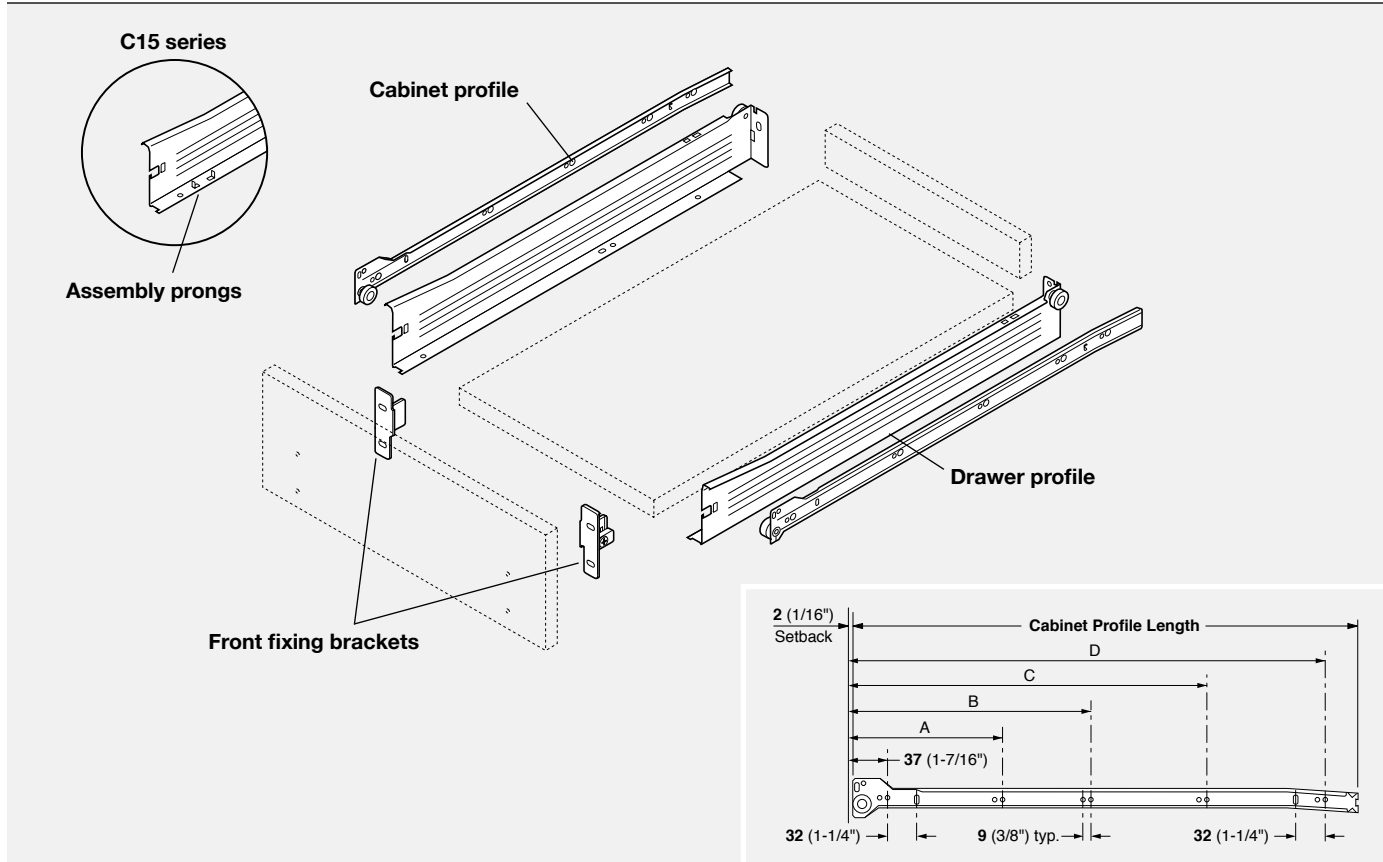


# METABOX 320N drawer series

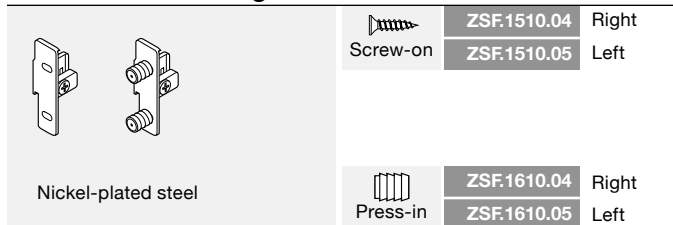
## Drawer components

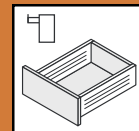


## Runner sets (includes cabinet and drawer profiles)

C series cream or white	C15 series white	Nominal Length	Min. cabinet Inside depth	Cabinet & drawer Profile length	System screw mounting hole positions			
					A	B	C	D
320N5500C	320N5500C15	(22")	557 (21-7/8")	550 (21-5/8")	165 (6-1/2")	261 (10-1/4")	389 (15-3/16")	517 (20-3/8")
320N5000C	320N5000C15	(20")	507 (19-15/16")	500 (19-11/16")	165 (6-1/2")	261 (10-1/4")	389 (15-3/16")	453 (17-13/16")
320N4500C	320N4500C15	(18")	457 (17-15/16")	450 (17-11/16")	165 (6-1/2")	261 (10-1/4")	389 (15-3/16")	-
320N4000C	320N4000C15	(16")	407 (16")	400 (15-3/4")	165 (6-1/2")	261 (10-1/4")	357 (14-1/16")	-
320N3500C	320N3500C15	(14")	357 (14")	350 (13-3/4")	165 (6-1/2")	261 (10-1/4")	325 (12-13/16")	-
320N2700C		(11")	277 (10-7/8")	270 (10-5/8")	229 (9")	-	-	-

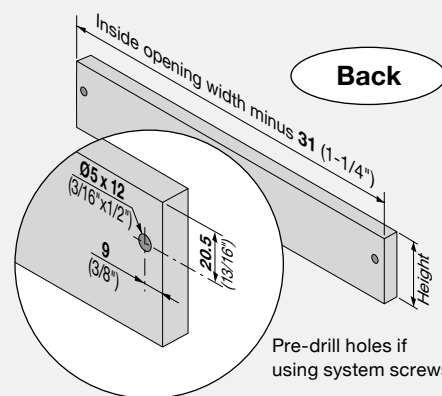
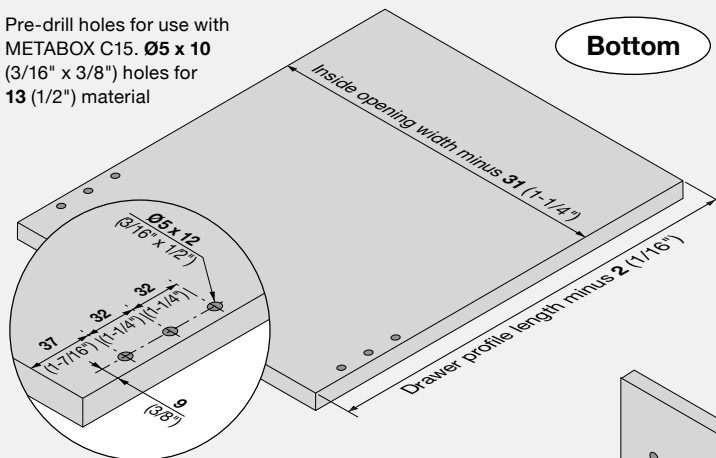
## Standard front fixing bracket



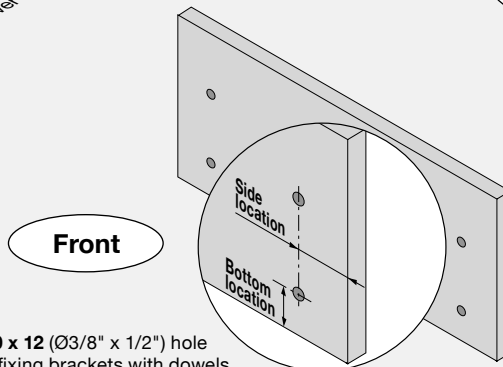


## Component specifications

Pre-drill holes for use with METABOX C15.  $\text{Ø}5 \times 10$  ( $3/16" \times 3/8"$ ) holes for 13 (1/2") material



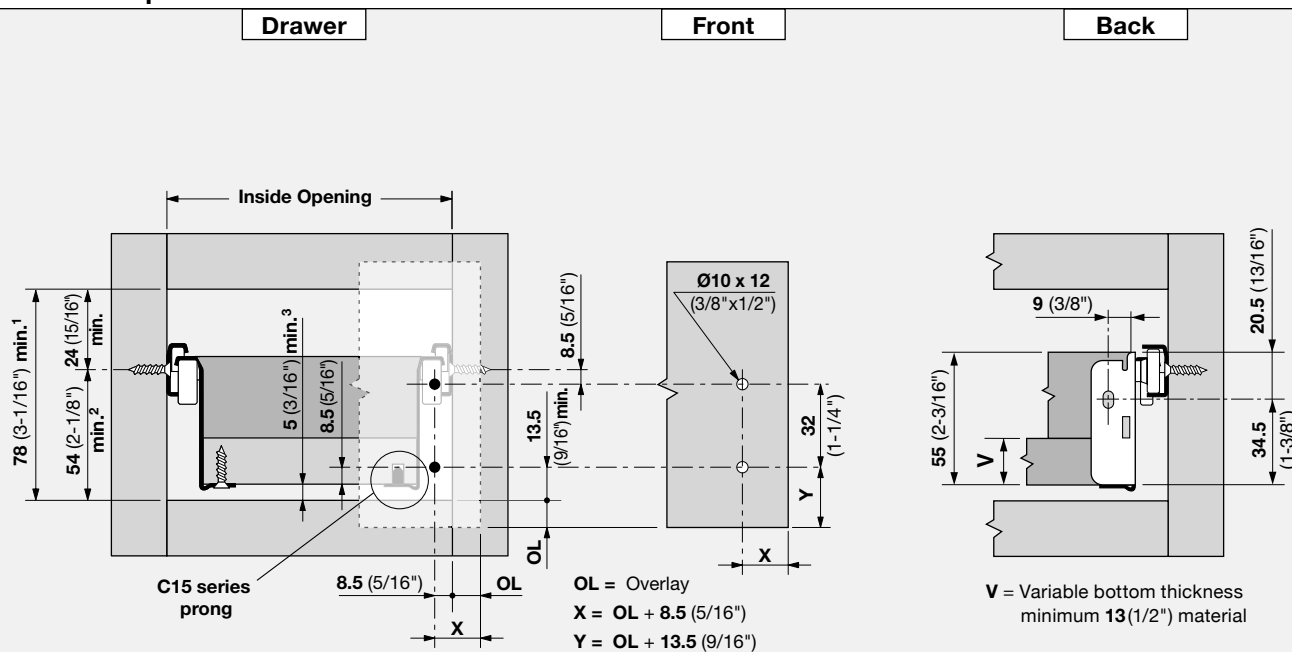
Profile length	Bottom length
550 (21-5/8")	548 (21-9/16")
500 (19-11/16")	498 (19-5/8")
450 (17-11/16")	448 (17-5/8")
400 (15-3/4")	398 (15-11/16")
350 (13-3/4")	348 (13-11/16")
270 (10-5/8")	268 (10-9/16")



Drawer bottom thickness	Back height
13 (1/2")	42 (1-5/8")
16 (5/8")	39 (1-9/16")
19 (3/4")	36 (1-7/16")

Drill  $\text{Ø}10 \times 12$  ( $\text{Ø}3/8" \times 1/2"$ ) hole for front fixing brackets with dowels (Determine locations from specifications below, or see page 36 for pre-determined overlays)

## Installation specifications



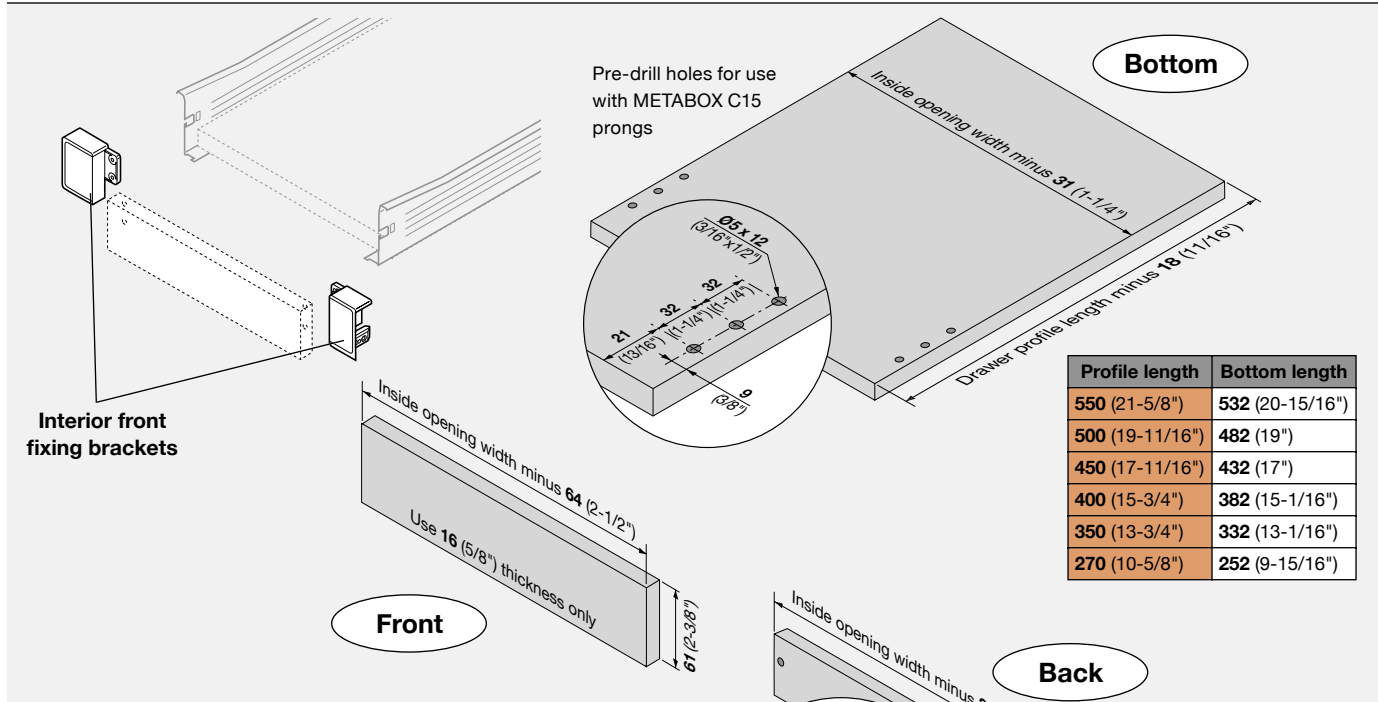
For frame cabinet specifications please see page 32

For gallery rail and BOXSIDE specifications see page 19

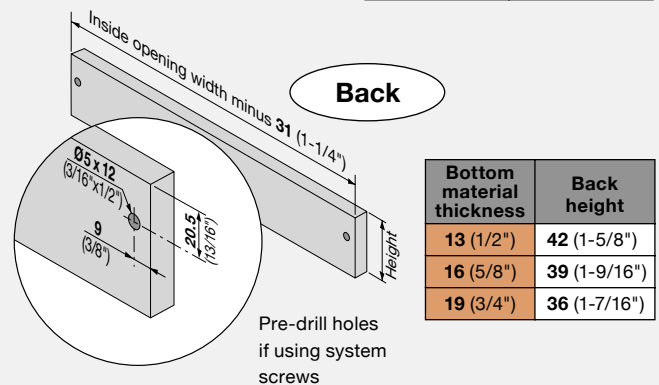
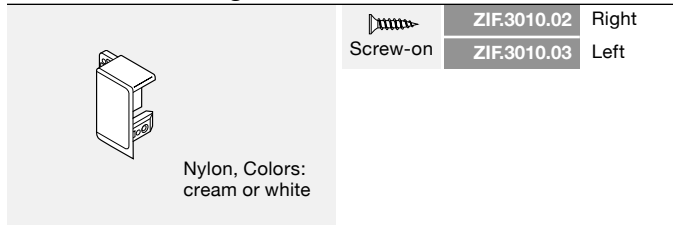
For interior drawer specifications see page 22

# METABOX 320N interior drawer application

## Drawer components



## Interior front fixing bracket



## Installation specifications

