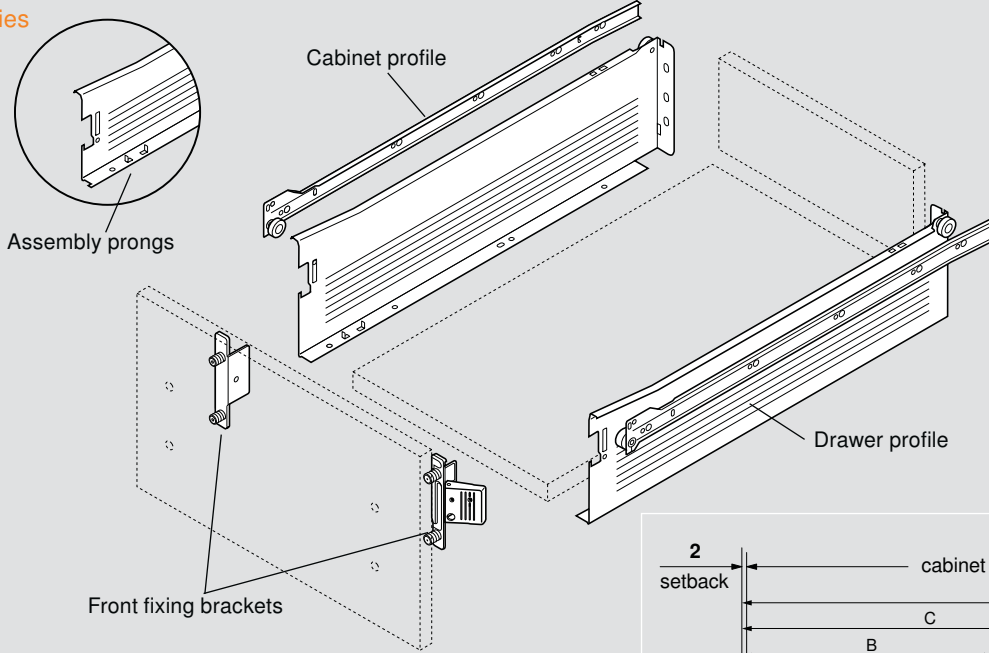


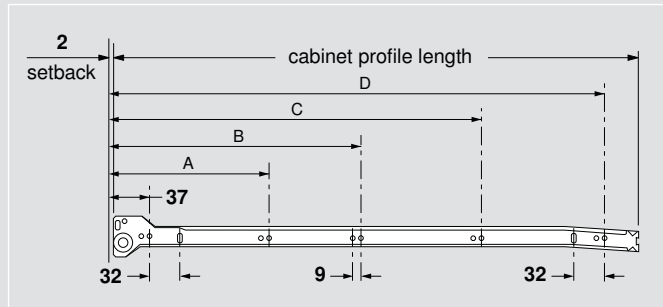
320K drawer series

Components

C15 series



see page 30



Runner sets (includes cabinet and drawer profiles)

C15 series white	Nominal Length	Min. inside cabinet depth	Nominal length	System screw mounting hole positions			
				A	B	C	D
320K5500C15	22"	557 (21-7/8")	550 (21-5/8")	165	261	389	517
320K5000C15	20"	507 (19-15/16")	500 (19-11/16")	165	261	389	453
320K4500C15	18"	457 (17-15/16")	450 (17-11/16")	165	261	389	—
320K4000C15	16"	407 (16")	400 (15-3/4")	165	261	357	—
320K3500C15	14"	357 (14")	350 (13-3/4")	165	261	—	—

Standard front fixing bracket

	Nickel-plated steel		Part no.
		Right	
		Left	ZSF.1700 L
		Right	ZSF.1800 R
		Left	ZSF.1800 L

CLIP front fixing bracket

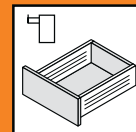
	Nickel-plated steel	 Screw-on	Right	ZSF.1200 R
			Left	ZSF.1200 L
		 Press-in	Right	ZSF.1300 R
			Left	ZSF.1300 L
		EXPANDO	Right	ZSF.130E R
			Left	ZSF.130E L

Standard cover cap

Nylon white		NOTE: Blum logo cover caps available
		ZAA.3500

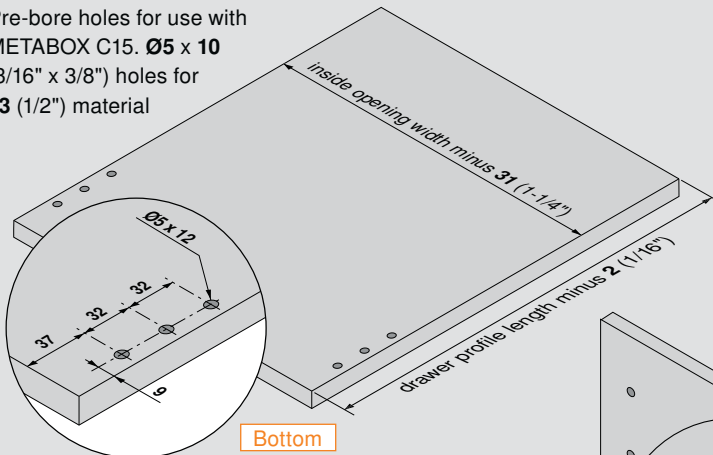
CLIP cover cap

Nylon white		NOTE: Blum logo cover caps available
		ZAA.3700



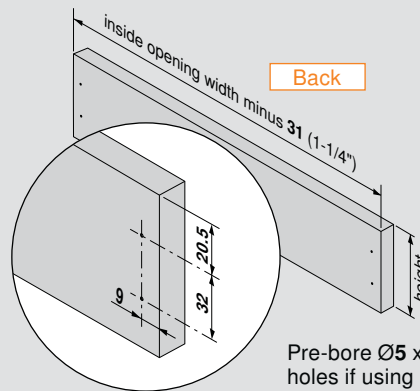
Specifications

Pre-bore holes for use with METABOX C15. $\text{Ø}5 \times 10$ (3/16" x 3/8") holes for 13 (1/2") material



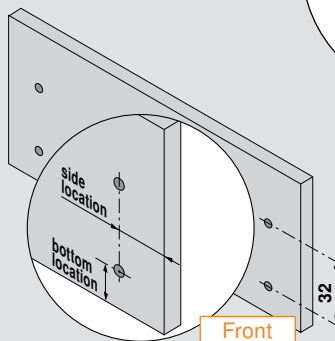
Bottom

Nominal length	Bottom length
550 (21-5/8")	548 (21-9/16")
500 (19-11/16")	498 (19-5/8")
450 (17-11/16")	448 (17-5/8")
400 (15-3/4")	398 (15-11/16")
350 (13-3/4")	348 (13-11/16")



Back

Pre-bore $\text{Ø}5 \times 12$ holes if using system screws

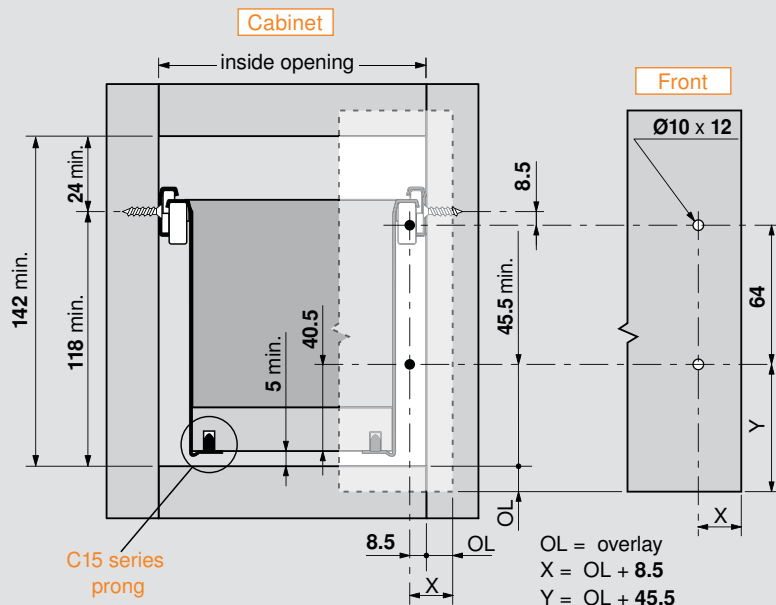


Front

Material thickness	Back height
13 (1/2")	106 (4-3/16")
16 (5/8")	103 (4-1/16")
19 (3/4")	100 (3-15/16")

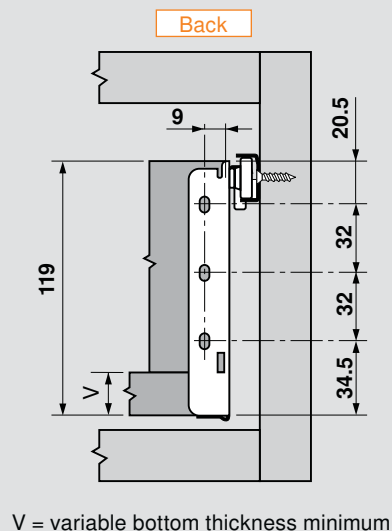
Bore $\text{Ø}10 \times 12$ ($\text{Ø}3/8" \times 1/2"$) hole for front fixing brackets with dowels
(Determine locations from specifications below, or see page 42 for pre-determined overlays)

Installation specifications



Cabinet

Front



Back

V = variable bottom thickness minimum

Rear bracket for frame cabinet applications

page 36

For gallery rail and BOXSIDE specifications

page 20

For interior drawer specifications

page 24