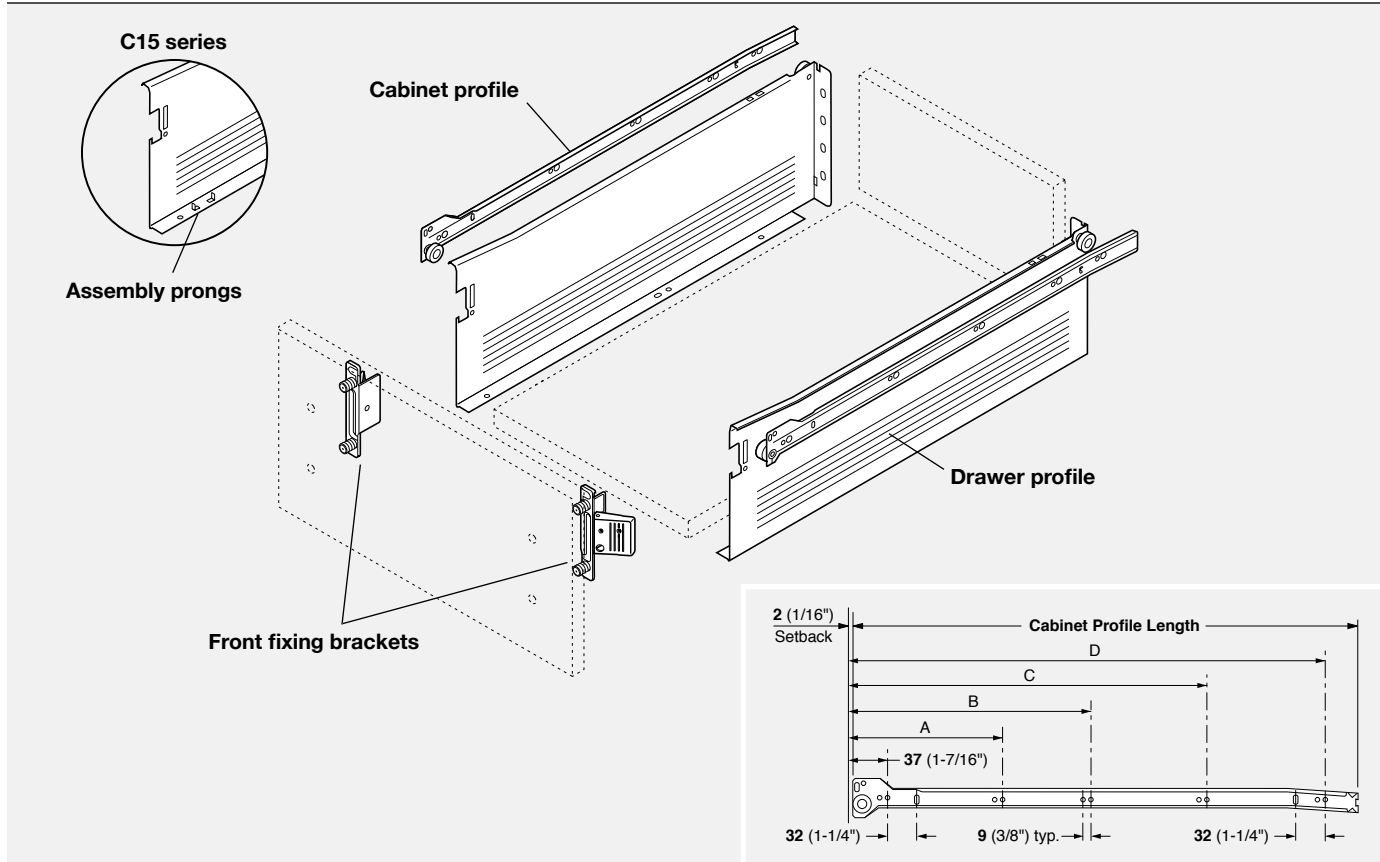


METABOX 320H drawer series

Drawer components



Runner sets (includes cabinet and drawer profiles)

C series cream or white	C15 series white	Nominal Length	Min. cabinet Inside depth	Cabinet & drawer Profile length	System screw mounting hole positions			
					A	B	C	D
320H5500C	320H5500C15	(22")	557 (21-7/8")	550 (21-5/8")	165 (6-1/2")	261 (10-1/4")	389 (15-3/16")	517 (20-3/8")
320H5000C	320H5000C15	(20")	507 (19-15/16")	500 (19-11/16")	165 (6-1/2")	261 (10-1/4")	389 (15-3/16")	453 (17-13/16")
320H4500C	320H4500C15	(18")	457 (17-15/16")	450 (17-11/16")	165 (6-1/2")	261 (10-1/4")	389 (15-3/16")	-
320H4000C	320H4000C15	(16")	407 (16")	400 (15-3/4")	165 (6-1/2")	261 (10-1/4")	357 (14-1/16")	-
320H3500C	320H3500C15	(14")	357 (14")	350 (13-3/4")	165 (6-1/2")	261 (10-1/4")	325 (12-13/16")	-

Standard front fixing bracket

Nickel-plated steel

Screw-on

ZSF.1700	Right
ZSF.1700	Left

Press-in

ZSF.1800	Right
ZSF.1800	Left

Nylon in cream or white*

ZAA.3500 Cover cap

Clip-on front fixing bracket

Nickel-plated steel

Screw-on

ZSF.1200	Right
ZSF.1200	Left

Press-in

ZSF.1300	Right
ZSF.1300	Left

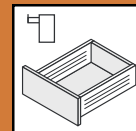
Expando

ZSF.130E	Right
ZSF.130E	Left

Nylon in cream or white*

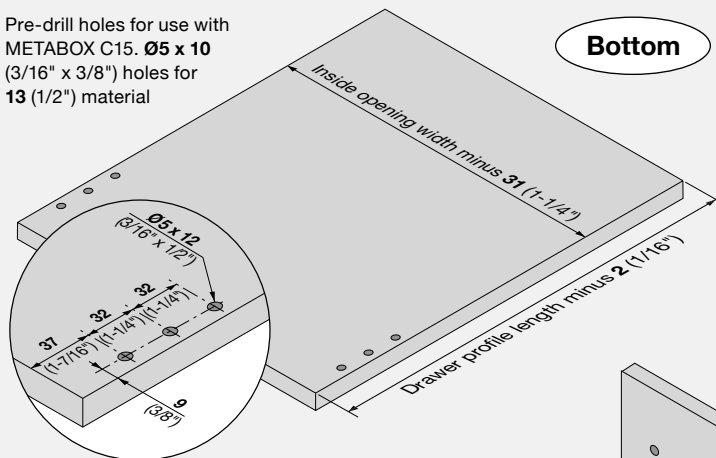
ZAA.3700 Cover cap

*Blum logo cover caps available

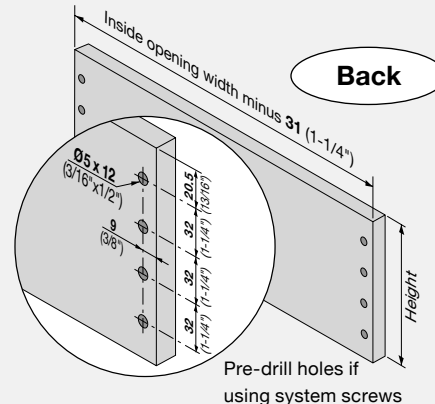


Component specifications

Pre-drill holes for use with METABOX C15. $\varnothing 5 \times 10$ ($3/16" \times 3/8"$) holes for 13 (1/2") material



Bottom

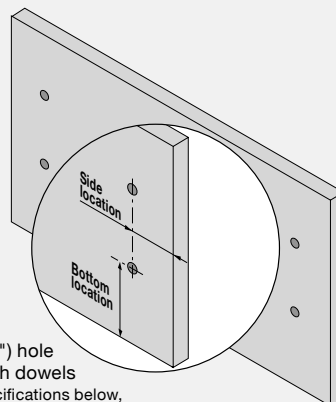


Back

Pre-drill holes if using system screws

Profile length	Bottom length
550 (21-5/8")	548 (21-9/16")
500 (19-11/16")	498 (19-5/8")
450 (17-11/16")	448 (17-5/8")
400 (15-3/4")	398 (15-11/16")
350 (13-3/4")	348 (13-11/16")

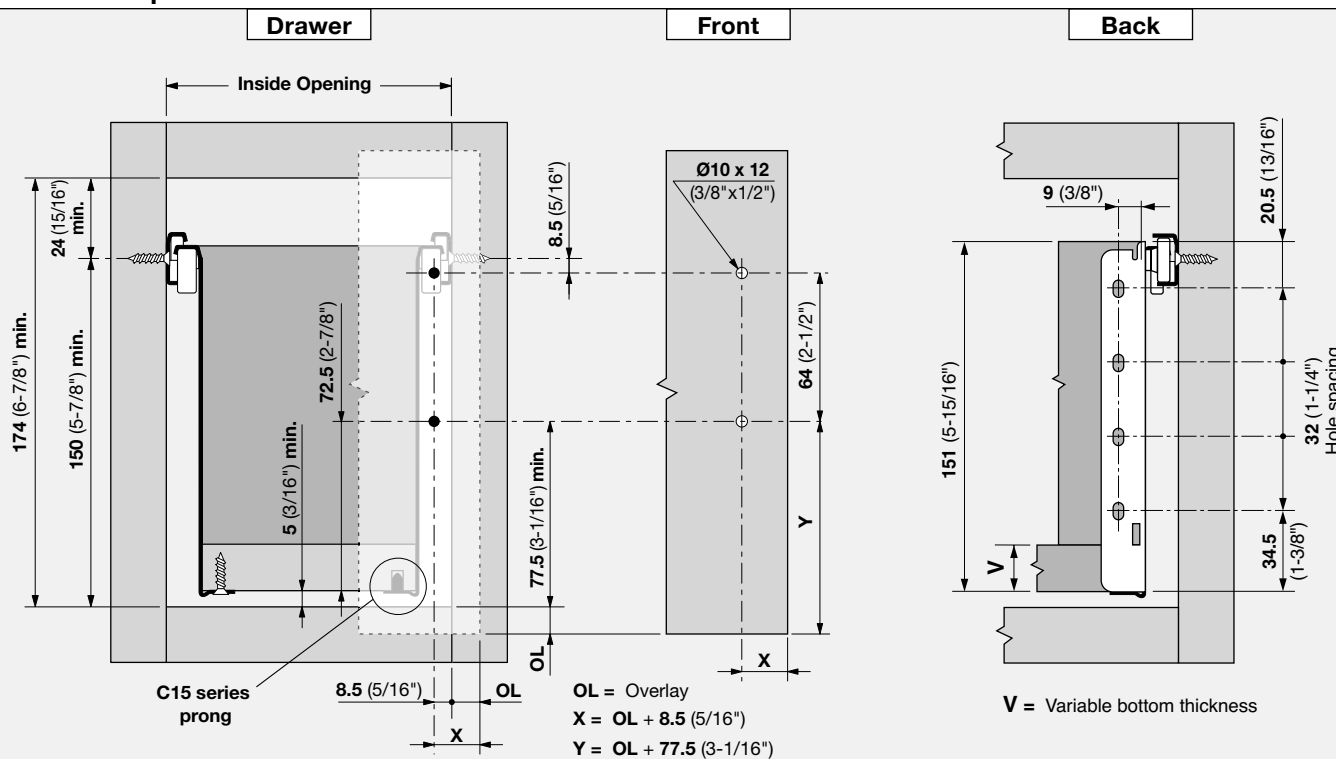
Front



Drill $\varnothing 10 \times 12$ ($\varnothing 3/8" \times 1/2"$) hole for front fixing brackets with dowels (Determine locations from specifications below, or see page 36 for pre-determined overlays)

Material thickness	Back height
13 (1/2")	138 (5-7/16")
16 (5/8")	135 (5-5/16")
19 (3/4")	132 (5-3/16")

Installation specifications

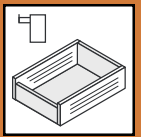


For frame cabinet specifications please see page 32

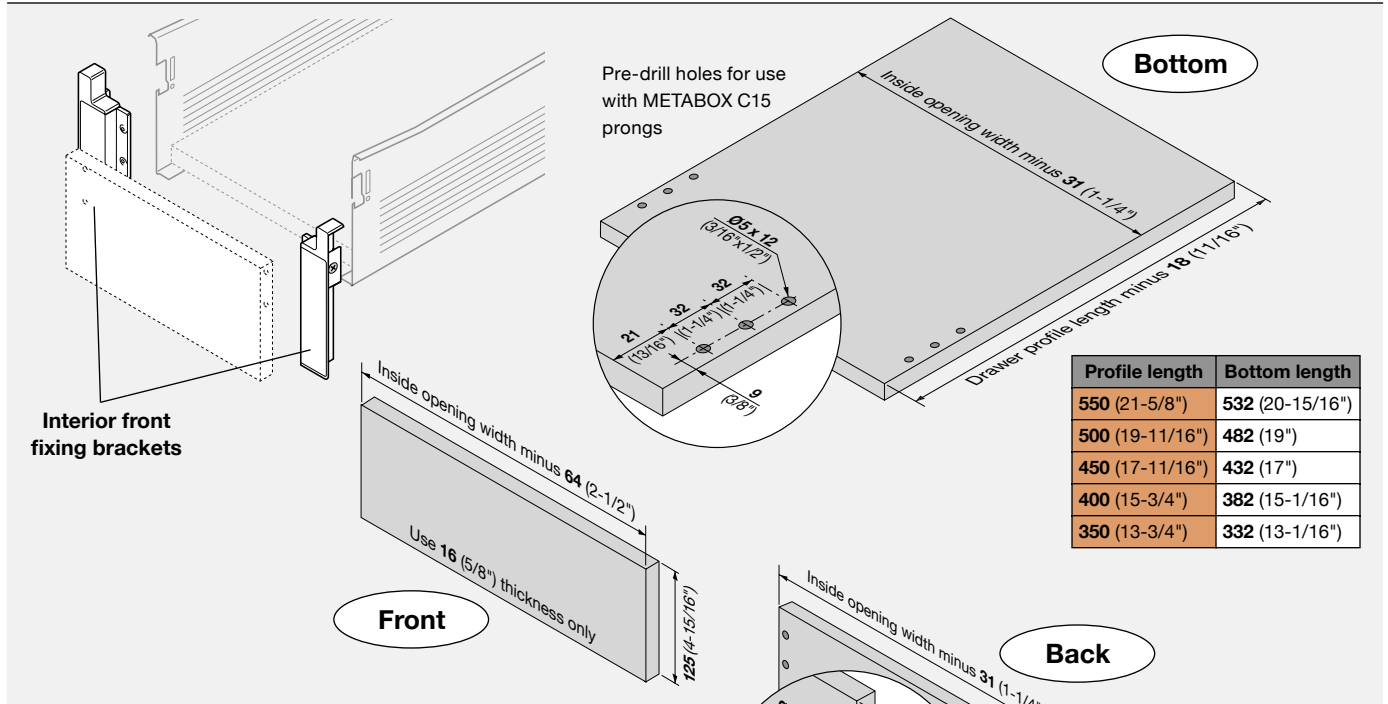
For gallery rail and BOXSIDE specifications see page 20

For interior drawer specifications see page 25

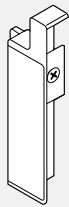
METABOX 320H interior drawer application



Drawer components

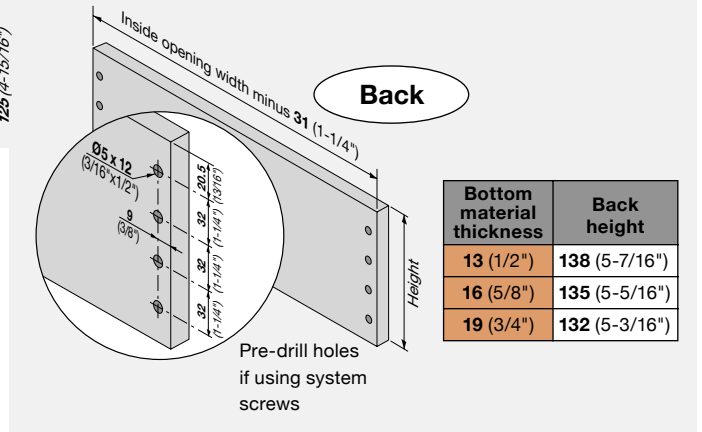


Interior front fixing bracket



Nylon, Colors: cream or white

Screw-on	ZIF.3050	Right
	ZIF.3050	Left



Installation specifications

