

CLIP top BLUMOTION angled hinge program



CLIP top BLUMOTION hinges from +45° to -45°

Angled hinges provide a tremendous array of possibilities for the cabinet design professional. Specifically designed for panel (frameless) cabinets, the system accommodates cabinet front angles from -45° to +45°, in 5° increments. This is achieved by combining any of ten angled hinges, or three standard hinges with a wedge spacer and any of five standard CLIP mounting plates.

All CLIP top BLUMOTION hinges feature "Spiral Tech" depth adjustment which eliminates loosening and retightening the adjustment screws. Also, all CLIP top BLUMOTION angled hinges are INSERTA for tool free hinge-to-door attachment.








Step 1. On page 19, the angle-to-style cross-reference provides an overview of all the angled hinge applications available to assist with your specific application.

Step 2. Once the cabinet front angle is determined, select the row for that angle from the first column. There are five different possibilities for positive angles and two for negative angles.

Step 3. Cross-reference the angle to the style to find the hinge/plate/wedge combination and the specification number. Specifications on pages 20 through 26 are in numerical order and show all the details.




CLIP top BLUMOTION angled hinges

Positive angled hinges

			
Part no.	Part no.	Part no.	Part no.
+15°	79B9494	+20°	79B9595
		+30° II*	79B9596
			+30° III*
			79B9496
			
Part no.	Part no.	Part no.	
+45° I*	79B9698	+45° II*	79B3598
		+45° III*	79B9498

* These angled hinges are marked I, II, or III on the hinge arm for differentiation (see photo).

Negative angled hinges

		
Part no.	Part no.	Part no.
-15°	79B3493	-30°
		79B3491
		-45°
		79B3490

Thick door hinges used in angled applications

		
Part no.	Part no.	Part no.
95° straight-arm	71B9590	95° half-cranked
		71B9690
		95° full-cranked
		71B9790

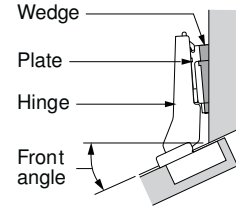
Wedge spacers for positive and negative angles

2 mm thickness	4 mm thickness	5 mm thickness	7 mm thickness
			
Part no.	Part no.	Part no.	Part no.
-5°	171A5500	+5°	171A5010
		+5°	171A5040
		+5°	171A5070

The chart on this page shows the hinge, plate and wedge (or spacer) needed for each angled application. The legend below shows the order of the part numbers.

NOTE: All 35 mm and 8 mm holes must be a minimum of 13 mm deep

		Application number
Hinge	CLIP top BLUMOTION hinge	Part number
Plate	CLIP mounting plate	Part number
Wedge/spacer	May or may not be required	Part number

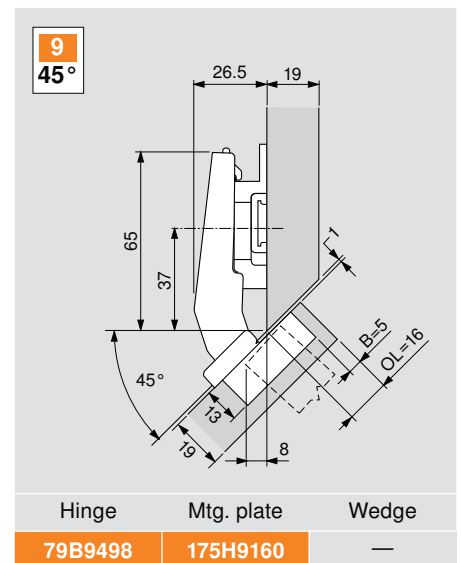
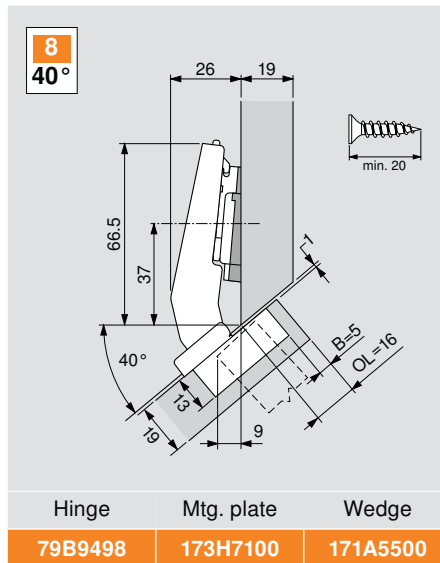
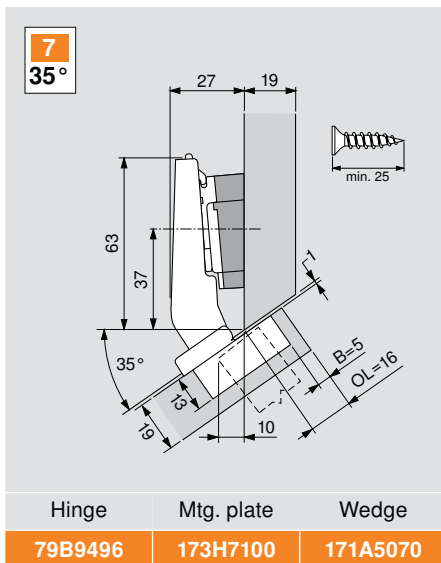
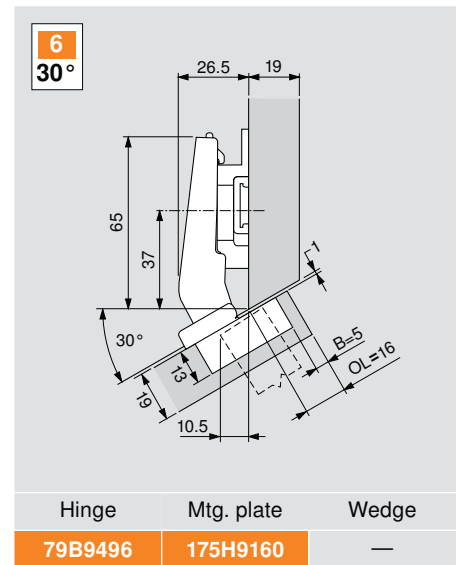
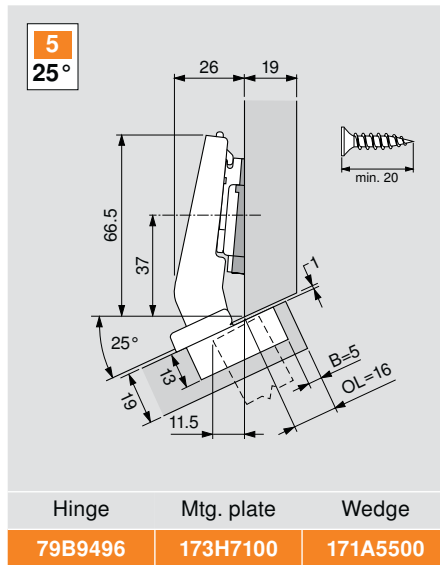
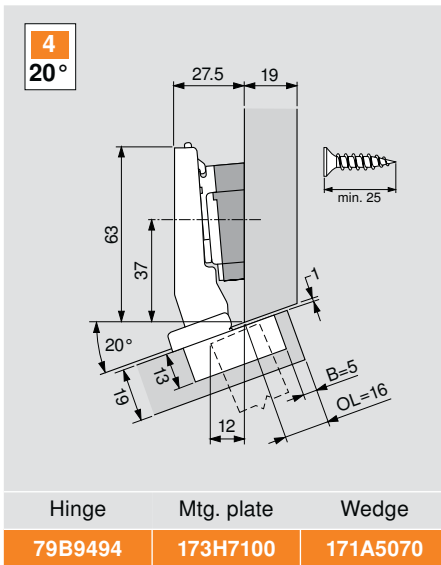
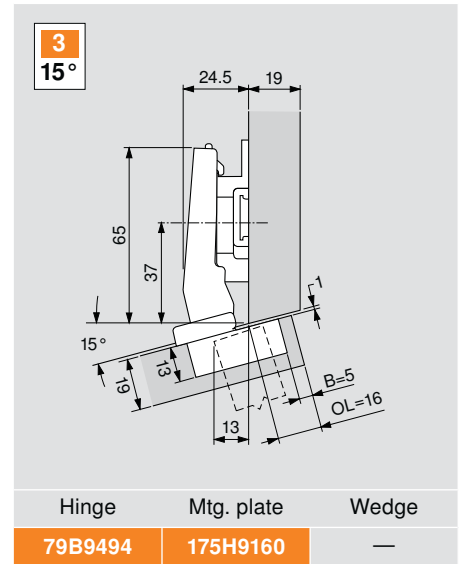
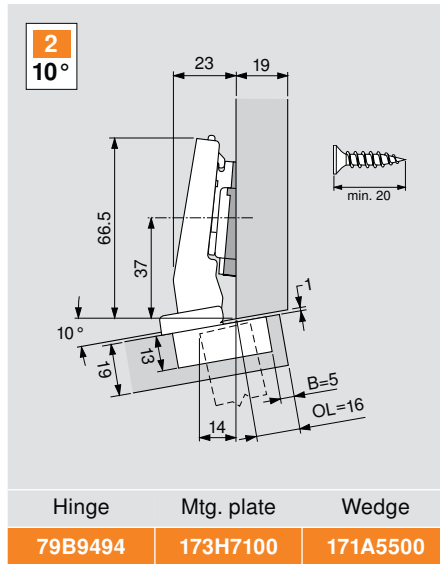
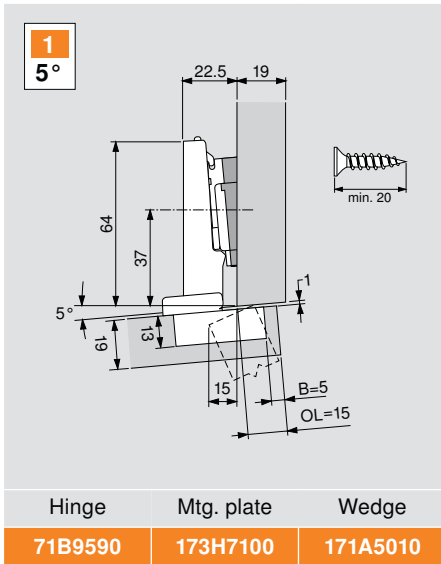


Positive angles					Negative angles			
	Maximum overlay	Partial overlay	Corner merge	Inset door	Mitered corner		Maximum overlay	Inset door
5°	1	10	19	27		-5°	42	51
	71B9590	71B9590	71B9690	71B9790			71B9590	71B9690
	173H7100	173H7100	173H7100	173H7100			173H7100	173H7100
	171A5010	171A5010	171A5070	171A5010			171A5500	171A5500
10°	2	11	20	28		-10°	43	52
	79B9494	79B9494	79B9494	79B9494			79B3493	79B3493
	173H7100	173H7100	175H9190.22	175H9190.22			173H7100	175H7190
	171A5500	171A5500	171A5500	171A5500		171A5010	171A5010	
15°	3	12	21	29	36	-15°	44	53
	79B9494	79B9494	79B9595	79B9595	79B9595		79B3493	79B3493
	175H9160	175H9190	173H7130	175H9190	173H7100		173H7100	175H9190.22
			171A5500	171A5500	171A5500			
20°	4	13	22	30	37	-20°	45	54
	79B9494	79B9595	79B9595	79B9595	79B9595		79B3493	79B3493
	173H7100	173H7100	175H9190	175H9190.22	175H9160		173H7100	175H9160
	171A5070					171A5500	171A5500	
25°	5	14	23	31	38	-25°	46	55
	79B9496	79B9595	79B9596	79B9596	79B9596		79B3491	79B3491
	173H7100	173H7100	173H7100	175H9190.22	173H7100		173H7100	175H7190
	171A5500	171A5010	171A5500		171A5500	171A5040	171A5070	
30°	6	15	24	32	39	-30°	47	
	79B9496	79B9596	79B9596	79B9596	79B9596		79B3491	
	175H9160	173H7100	175H9190	175H9190.22	173H7130	173H7130		
35°	7	16	25	33	40	-35°	48	
	79B9496	79B9596	79B9596	79B9596	79B9596		79B3491	
	173H7100	173H7100	173H7100	175H9190.22	173H7100		173H7100	
	171A5070	171A5010	171A5070	171A5010	171A5040	171A5500		
40°	8	17		34		-40°	49	
	79B9498	79B9498		79B9698			79B3490	
	173H7100	175H9160		175H9190			173H7100	
	171A5500	171A5500		171A5500		171A5040		
45°	9	18	26	35	41	-45°	50	56
	79B9498	79B3598	79B9698	79B3598	79B9698		79B3490	79B3490
	175H9160	173H7100	173H7100	175H9190.22	173H7100		173H7130	175H7190
							181.6130	

Maximum overlay specifications



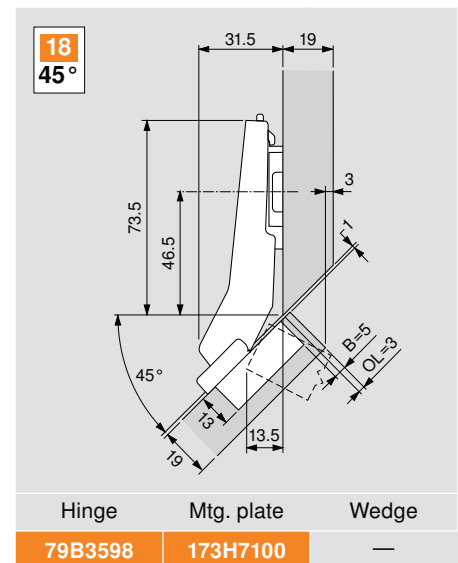
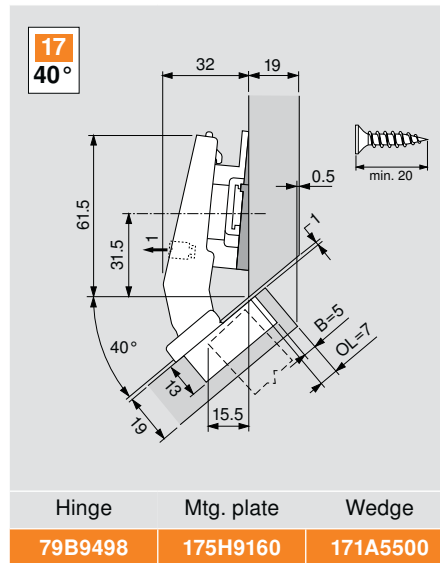
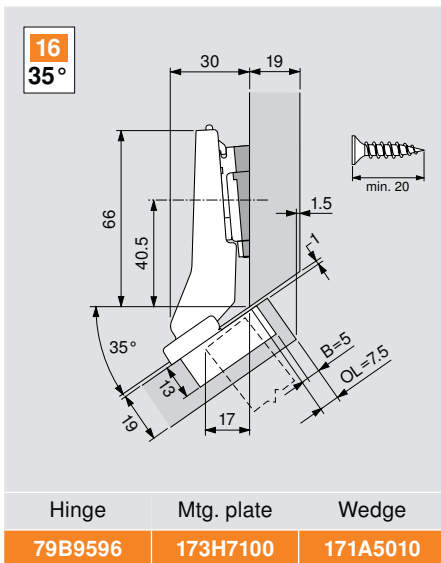
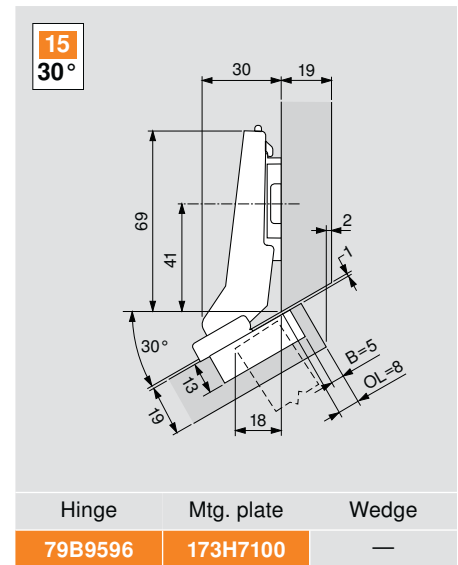
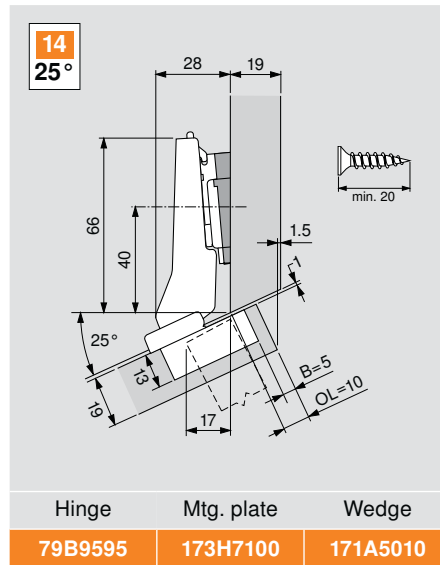
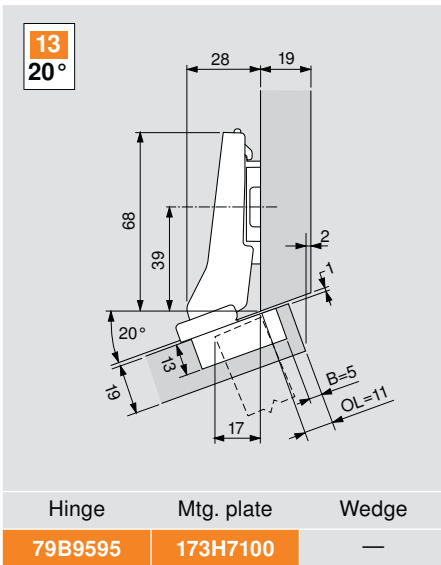
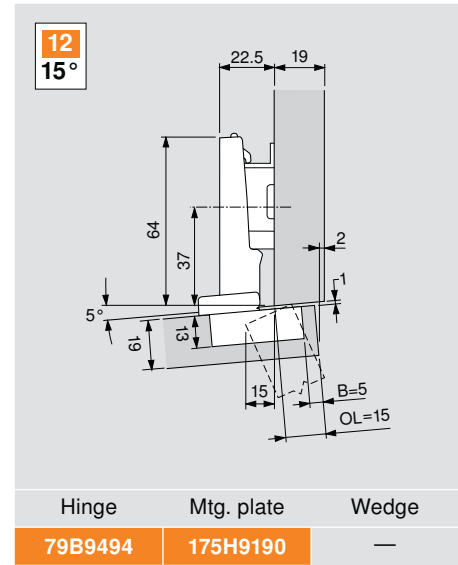
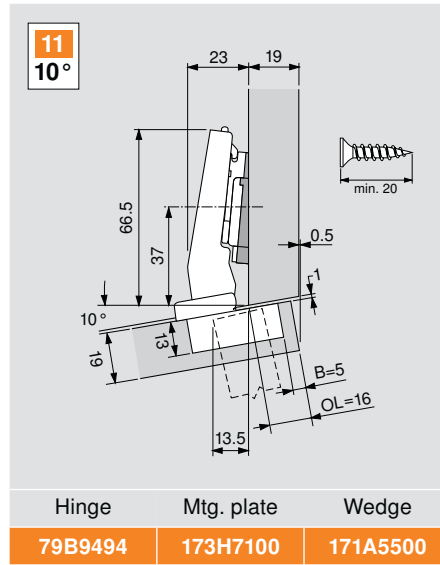
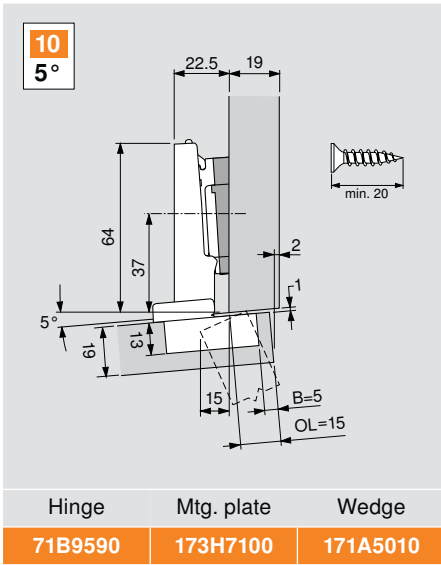
Positive angle applications



Partial overlay specifications

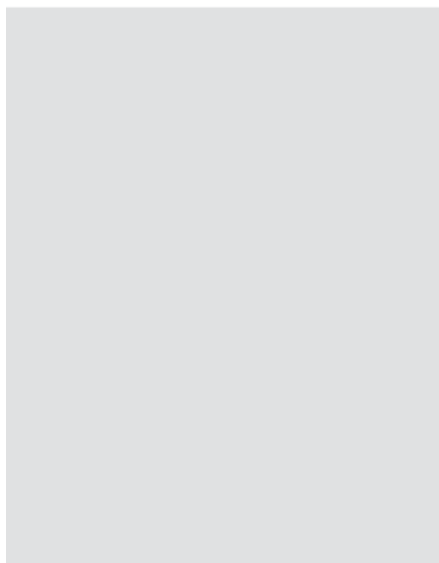
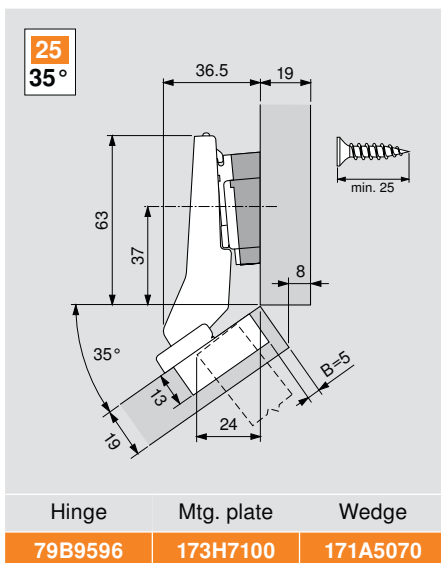
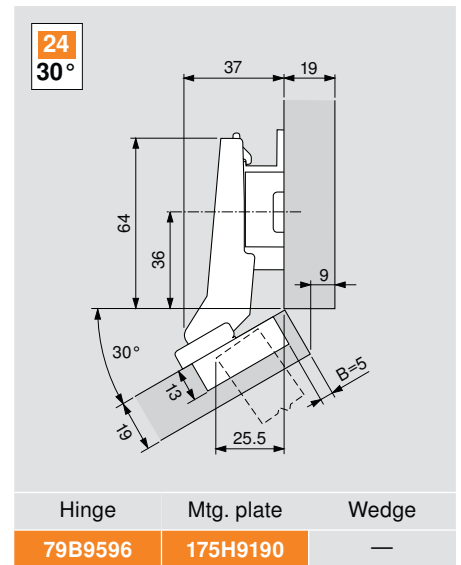
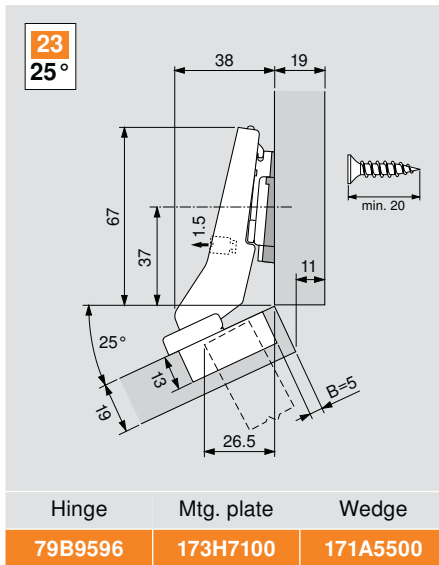
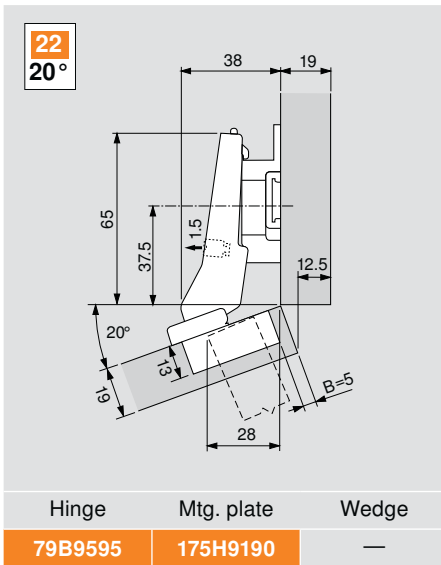
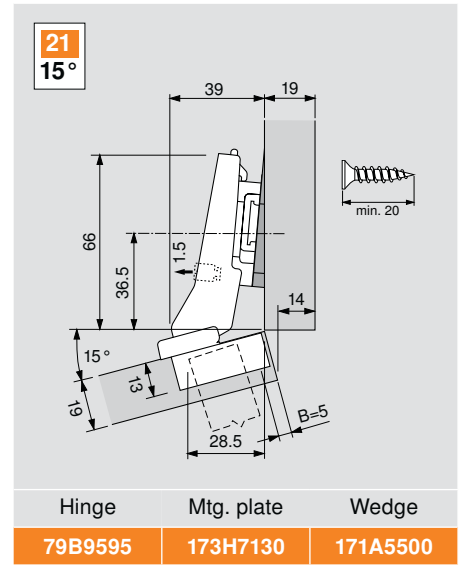
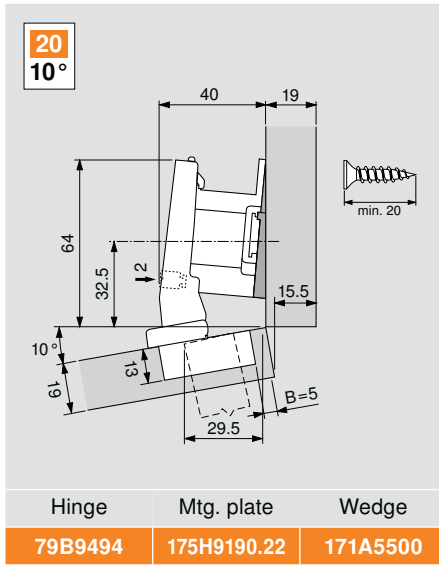
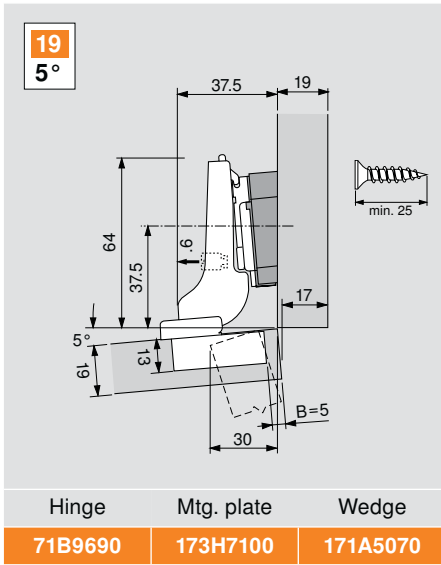


Positive angle applications



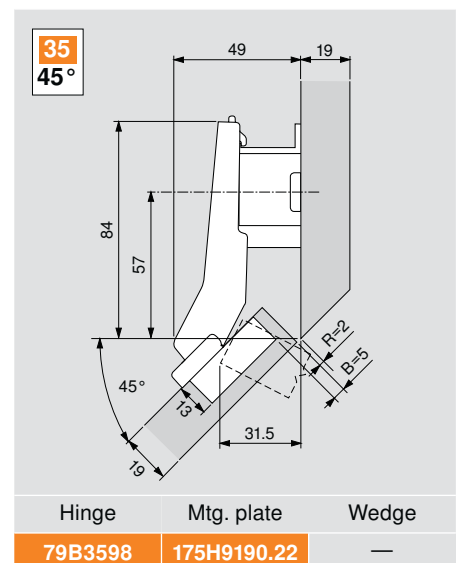
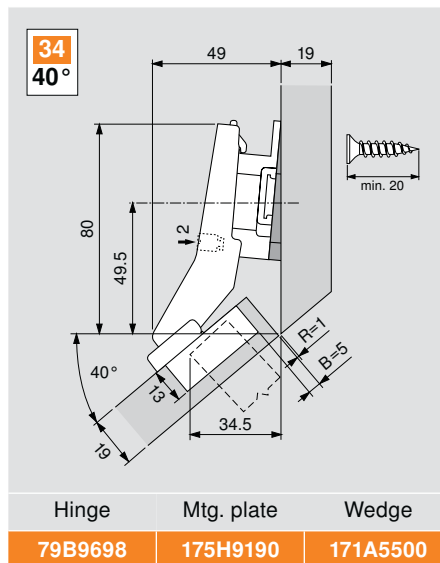
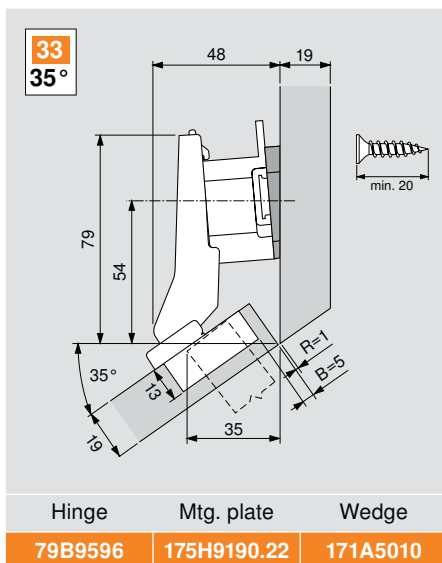
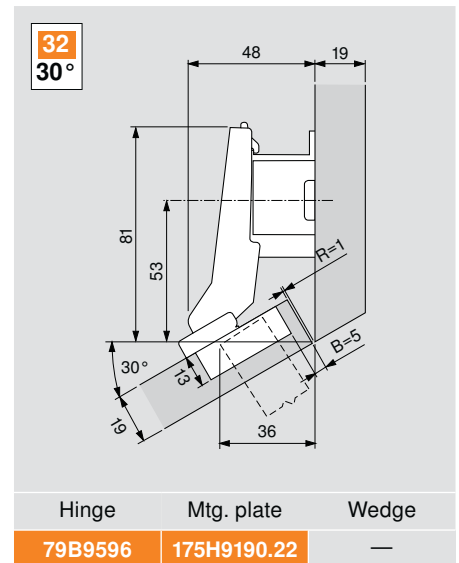
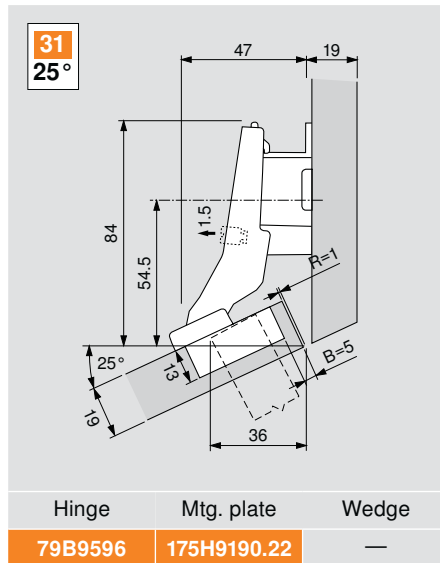
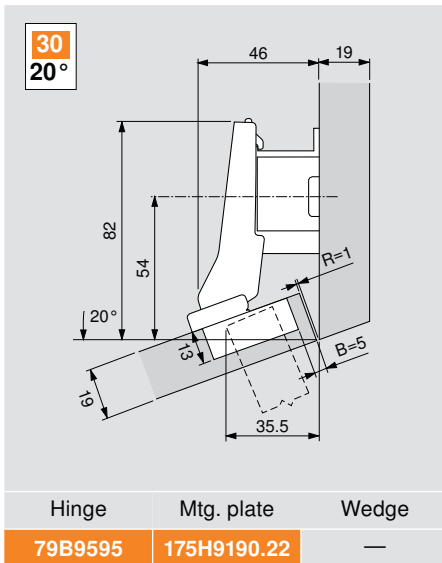
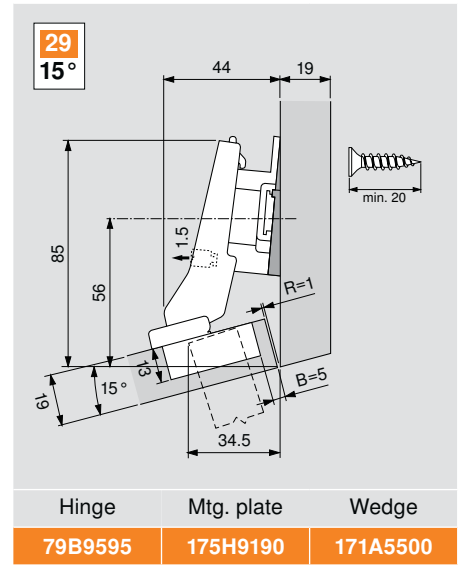
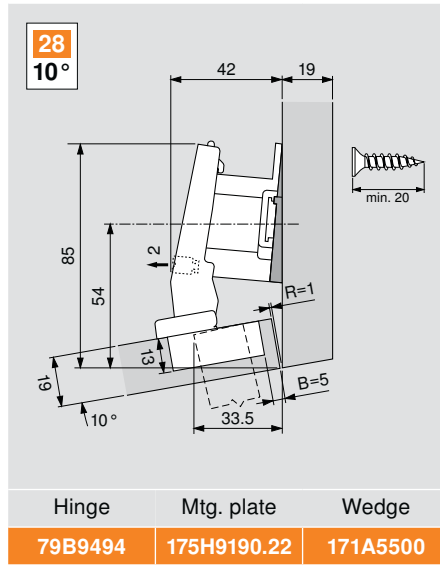
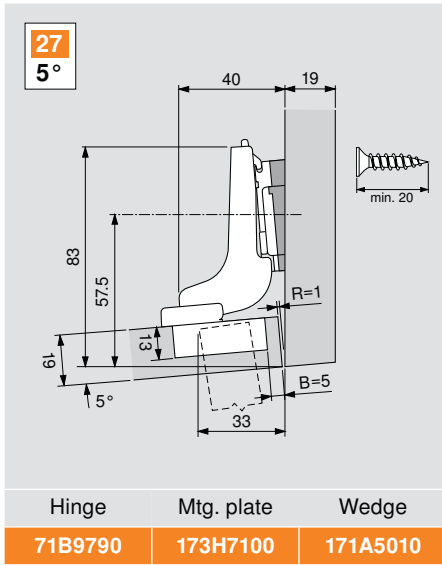
Corner merge specifications

Positive angle applications



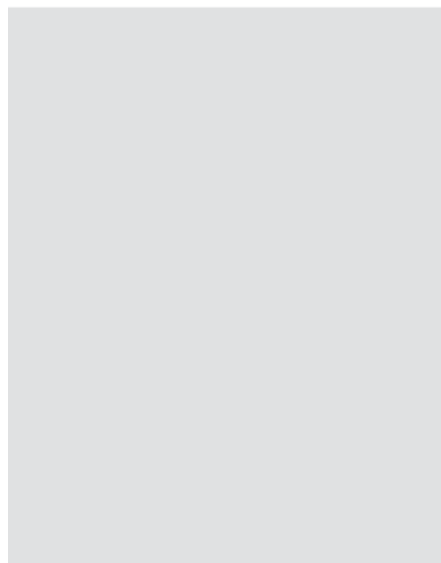
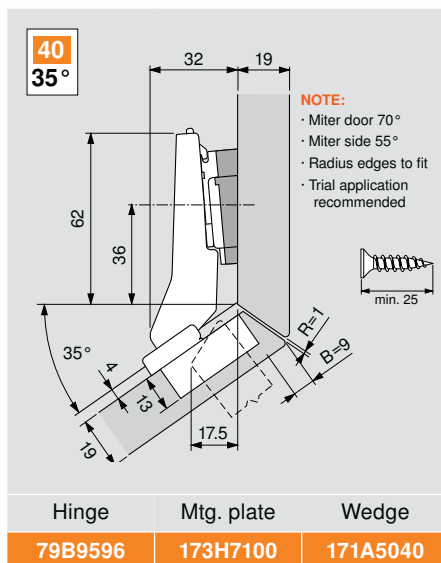
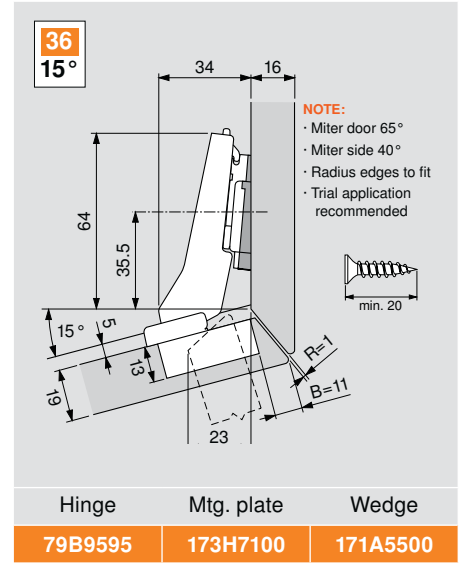
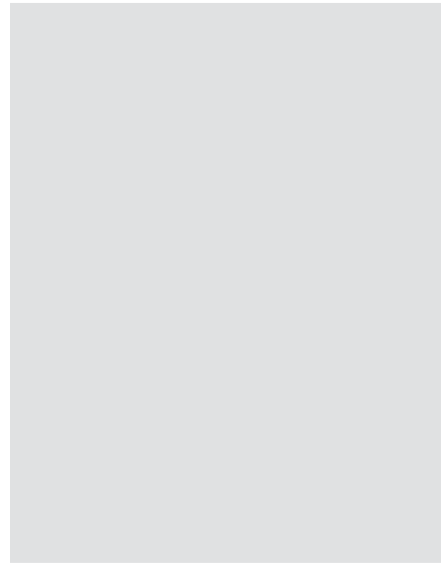
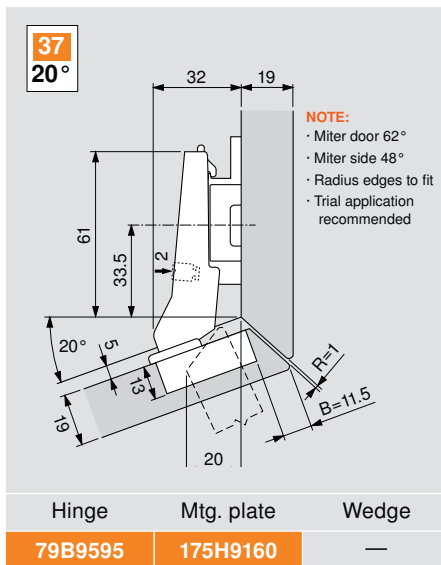
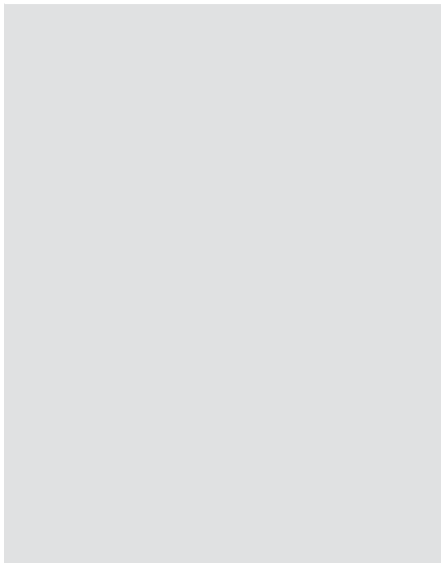
Inset door specifications

Positive angle applications



Mitered corner specifications

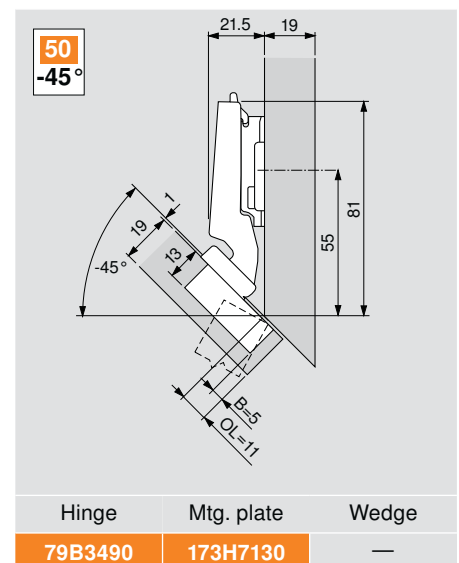
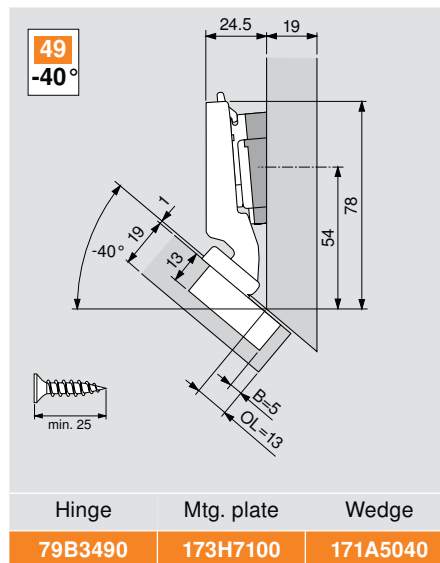
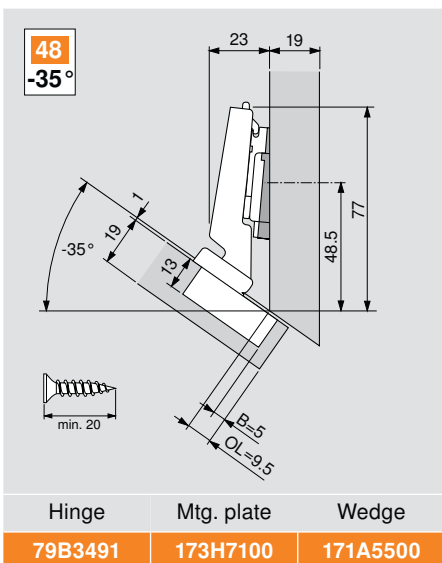
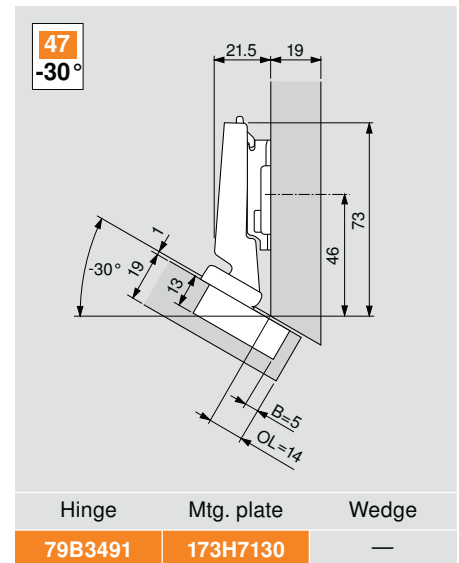
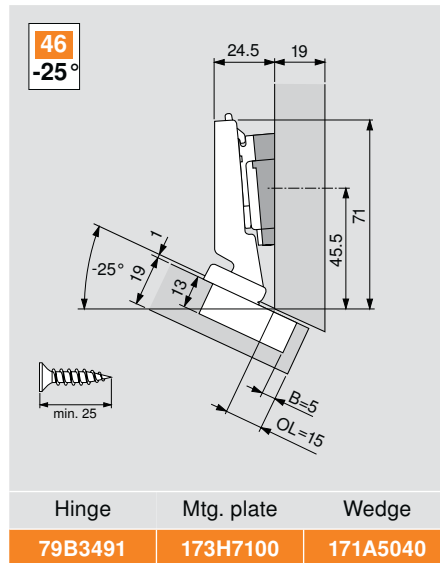
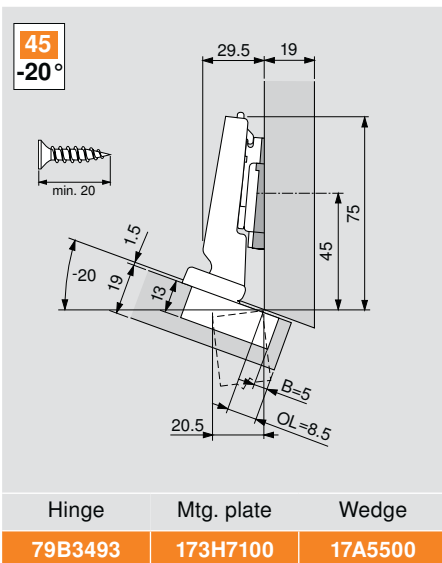
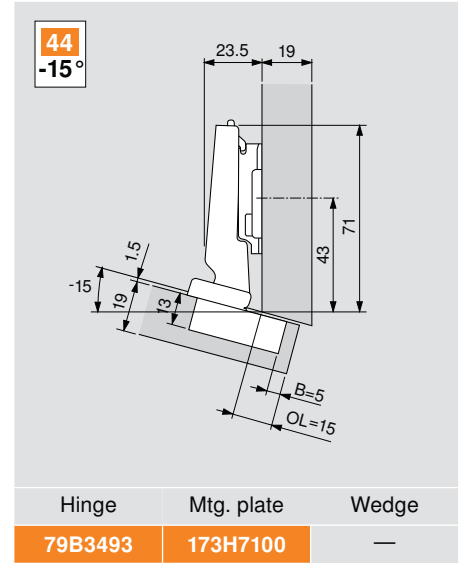
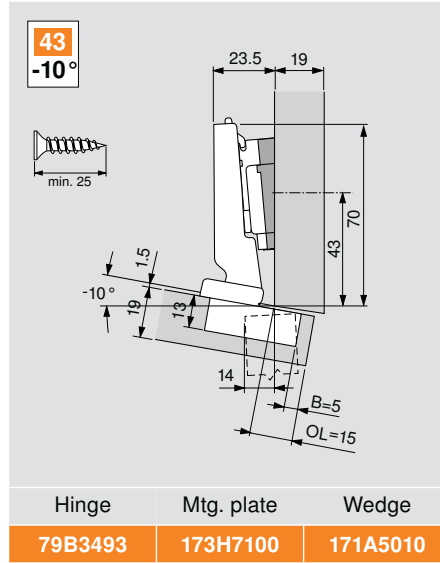
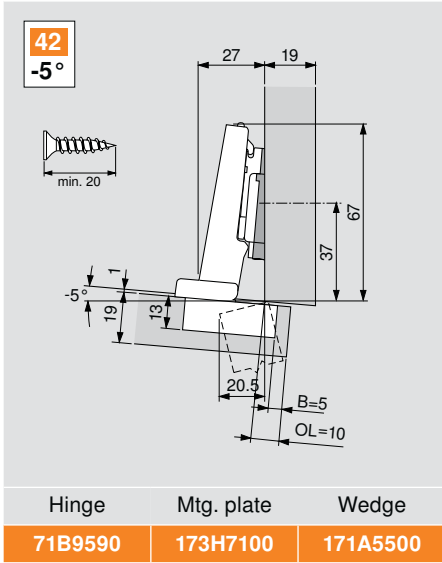
Positive angle applications



Maximum overlay specifications



Negative angle applications





Negative angle applications

