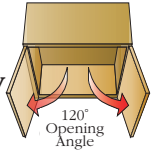


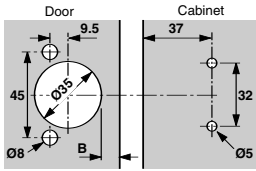
blum® Concealed Hinges, 120°+ Clip Top

Limited Lifetime Warranty

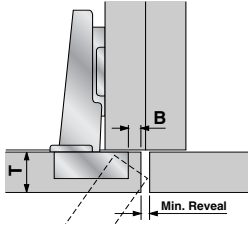


21mm maximum overlay using full side adjustment

Boring Pattern



Minimum Reveal



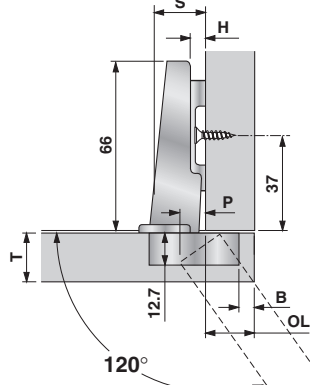
B	R					
	T 16	18	19	20	22	24
3	1.2	1.7	2.0	2.4	3.3	4.5
4	1.2	1.7	2.0	2.3	3.1	4.2
5	1.1	1.6	1.9	2.2	3.0	4.0
6	1.1	1.6	1.9	2.2	2.9	3.9

Table applies to all applications

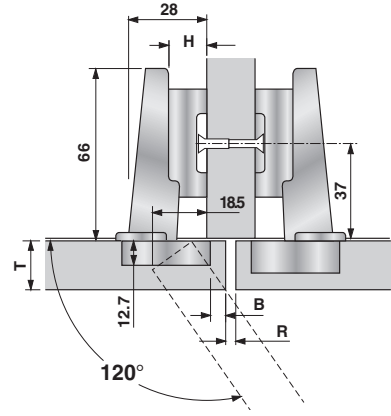
Cross reference the door thickness (T) to the boring distance (B) on your application to find the minimum reveal

Overlay Applications

Straight Hinge



Straight Hinge



H Plate Ht.	B Bore Distance						Interior Clearance	
	3	4	5	6	P	S		
0	16	17	18	19	9.5	19		
3	13	14	15	16	12.5	22		
6	10	11	12	13	15.5	25		
9	7	8	9	10	18.5	28		

Mounting plates sold separately see pages 166-167







H Plate Ht.	B Bore Distance					
	3	4	5	6		
9	7	8	9	10		

Fixed Distance (X) = 13

Fixed Distance (X) = 13

Overlay (OL) = Boring Distance (B) + Fixed Distance (X) - Plate Height (H)
 $OL = B + X - H$

R= Reveal
 X= Fixed distance
 B= Boring distance
 H= Plate Height

Swing Type	Cup Mount		
Self-Closing 	Screw-on 		B073T5550
	Press-in 		B073T5580
	INSERTA 		B073T5590B
Free-Swinging 	Press-in 		B072T5580.TL