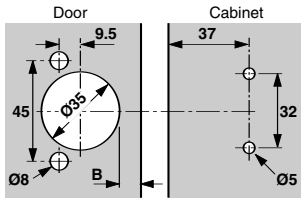


# Concealed Hinges, 155° Zero Protrusion Clip Top

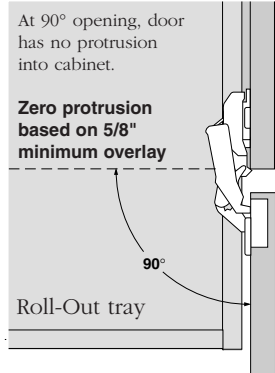
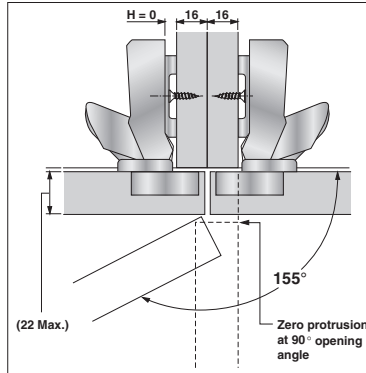
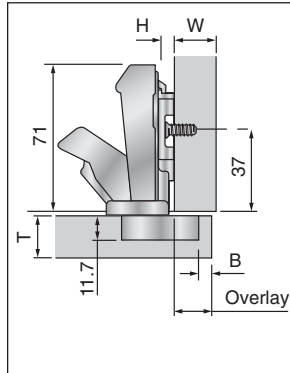


## Boring Pattern



Boring Distance	B	3	4	5	6
Overlay	OL	14	15	16	17
Fixed Distance = 11					

## Overlay Application



## Features

- 155° opening angle
- 3 dimensional adjustment
- All metal hinge, nickel plated
- Available inserta tool free attachment
- For cabinets with interior drawers
- Spiral tech depth adjustment +3mm, -2mm
- Side adjustment +/- 2mm

## Recommended Mounting Plates

- B175H710** - Frameless
- B175H6600** - Face Frame

## For 5/8" Minimum Overlay

Swing Type	Cup Mount	
<i>Self-Closing</i> 	<b>Screw-on</b>	<b>B071T7500N</b>
	<b>Press-in</b>	<b>B071T7530N</b>
	<b>Inserta</b>	<b>B071T7540N</b>

<b>Blumotion</b>	<b>B973A7000</b>
<b>for New Style Zero Protrusion</b>	<b>Each (25)</b>