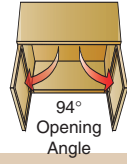
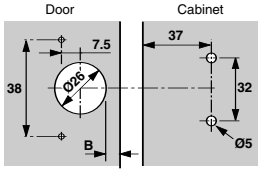


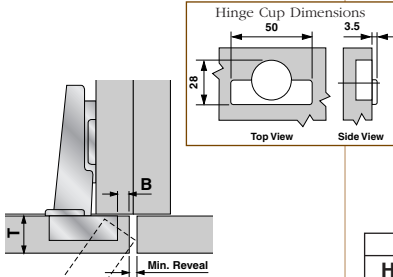
Concealed Hinges, 94° Clip Top Mini 26mm Hinge Cup



Boring Pattern

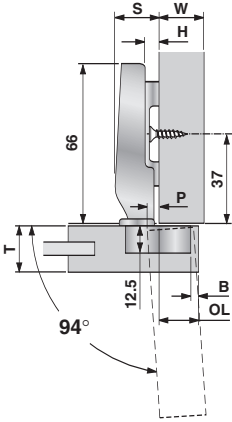


Minimum Reveal



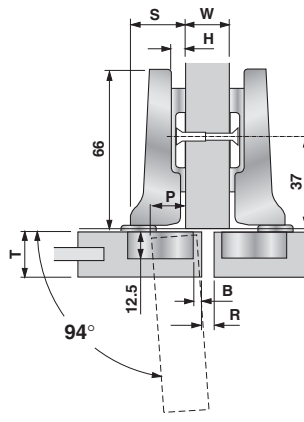
B	T	16	18	19	20	22	24	26
3	1.1	2.2	3.0	3.8	5.5	7.3	9.1	
4	1.1	2.0	2.7	3.5	5.0	6.8	8.6	
5	1.1	1.8	2.4	3.0	4.6	6.3	8.0	
6	1.0	1.7	2.2	2.8	4.1	5.8	7.5	

Overlay Application



OL Overlay Table				Interior Clearance	
H Plate Ht.	B Bore Distance			P	S
0	3	4	5	6	18
3	10	11	12	9	22
4.5	8.5	9.5	10.5	11	23.5
6	7	8	9	12	25
9	4	5	6	15	28

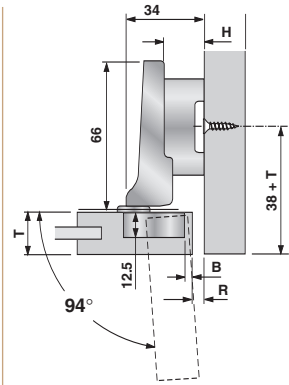
Fixed Distance = 10.5



OL Overlay Table				Interior Clearance	
H Plate Ht.	B Bore Distance			P	S
0	3.5	4.5	5.5	15.5	25

Fixed Distance = 1

Inset Application



R Reveal Table			
H Plate Ht.	B Bore Distance		
0	3	4	5

Fixed Distance = -8

Mounting plates sold separately see page 166-167

Swing Type

Self-Closing



Cup Mount

Screw-on



B071T0550

B071T0650

B071T0650