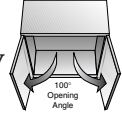
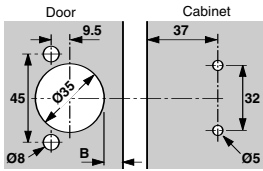


blum® Concealed Hinges, 100° Opening

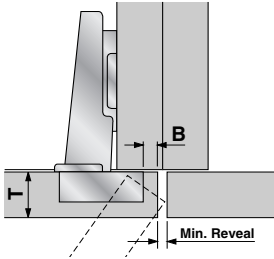
Limited Lifetime Warranty



Boring Pattern



Minimum Reveal



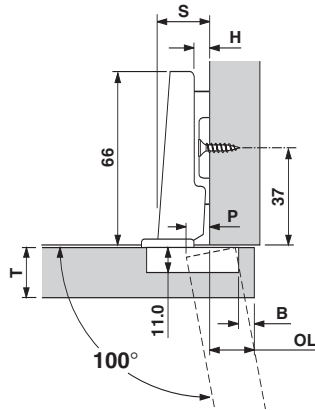
B	T					
	16	18	19	20	22	24
3	0.5	0.9	1.1	1.4	2.3	3.6
4	0.5	0.8	1.0	1.3	2.0	3.3
5	0.4	0.8	1.0	1.2	1.8	3.0
6	0.4	0.8	.9	1.1	1.7	2.8

Table applies to all applications

Cross reference the door thickness (T) to the boring distance (B) on your application to find the minimum reveal

Overlay Applications

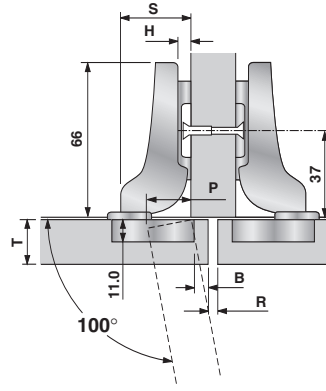
Straight Hinge



H Plate Ht.	B Bore Distance				Interior Clearance	
	3	4	5	6	P	S
0	14	15	16	17	9	20
3	11	12	13	14	12	23
6	8	9	10	11	15	26
9	5	6	7	8	18	29

Fixed Distance (X) = 11

Half Cranked Hinge

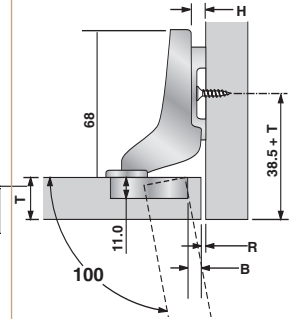


H Plate Ht.	B Bore Distance				Interior Clearance	
	3	4	5	6	P	S
0	4.5	5.5	6.5	7.5	18.5	30
3	1.5	2.5	3.5	4.5	21.5	33
6			.5	1.5	24.5	36

Fixed Distance (X) = 1.5

Inset Application

Full Cranked Hinge



H Plate Ht.	B Bore Distance			
	3	4	5	6
0	4	3	2	1

Fixed distance X = -7
Reveal R = H - (X+B)

R= Reveal
X= Fixed distance
B= Boring distance
H= Plate height

Overlay (OL) = Boring Distance (B) + Fixed Distance (X) - Plate Height (H)
OL = B + X - H

Mounting plates sold separately see page166-167

Swing Type Cup Mount



B071M255

B071M265

B071M275

B071M258

B071M268

B071M278