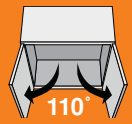


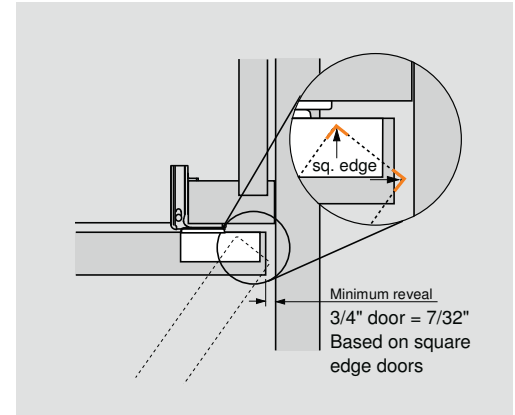
COMPACT 39C hinges for full overlay



Features

- Steel, nickel-plated
- 110° opening angle
- One piece assembly
- Wrap around mount
- 1/2" cup depth
- ±1/8" height adjustment
- ±1/16" cam side adjustment
- +3/32" -1/32" cam depth adjustment


Minimum reveal



General specs & installation
Cover caps

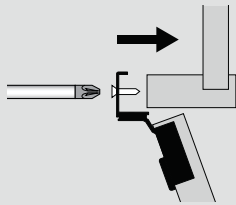
page 65
page 72

Overlay application

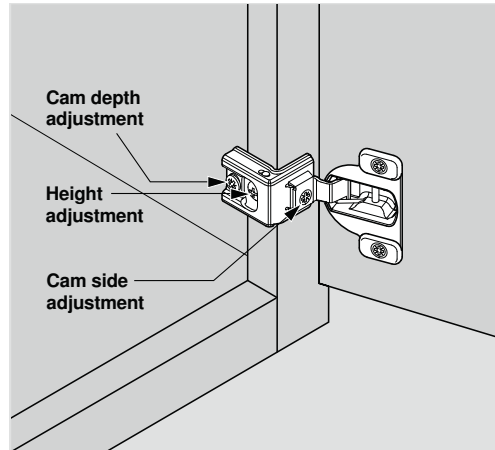
Wrap around	1"	1-1/4"	1-5/16"	1-3/8"	1-1/2"	1-9/16"
Screw-on	39C355C.16	39C355C.20	39C355C.21	39C355C.22	39C355C.24	39C355C.25
Press-in 	39C358C.16	39C358C.20	39C358C.21	39C358C.22	39C358C.24	39C358C.25

Attachment

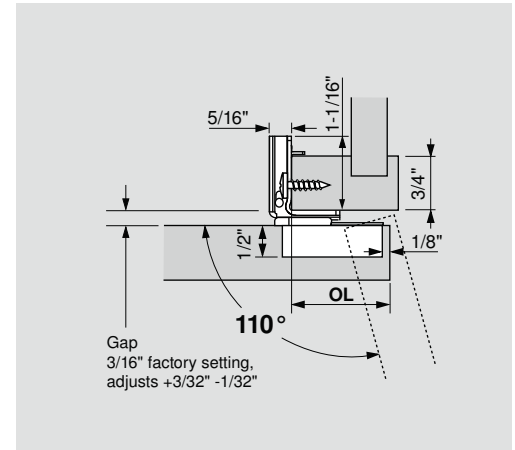
Wrap around



Adjustment



Dimensions



COMPACT

Installation screws



#8 x 3/4" type 17

834TH



#10 x 3/4" pilot bore

1034N

Boring pattern

