

X-8000 Bed Platform

SPECIFICATIONS

	X-8001 Side Opening 39 x 75 Twin	X-8003 End Opening 39 x 75 Twin	X-8005 End Opening 54 x 75 Double	X-8007 End Opening 60 x 80 Queen	X-8009 End Opening 76 x 80 E. King
Slat Detail	2 X 13 = 26	2 X 13 = 26	2 X 13 = 26	2 X 13 = 26	3 X 13 = 39
Handles	2	3	3	3	3
Screw Sets Bed Frame	16ea M8X45	16ea M8X45	16ea M8X45	16ea M8X45	16ea M8X45
Screw Sets Gas Struts	6ea M8 X45	6ea M8 X45	6ea M8 X45	6ea M8 X45	8ea M8 X45
Platform Weight	24 Lbs	24 Lbs	30 Lbs	33 Lbs	44 Lbs
Rated Lift	88 Lbs	88 Lbs	143 Lbs	154 Lbs	165 Lbs
Shipping Weight	44 Lbs	54 Lbs	57 Lbs	63 Lbs	65 Lbs
Carton Length	73"	73"	73"	73"	78"
Carton Width	6½"	6½"	9"	9"	9"
Carton Height	5"	5"	5"	5"	5"
Ideal Mattress Weight	64¾ Lbs	64¾ Lbs	113¾ Lbs	121½ Lbs	121½ Lbs

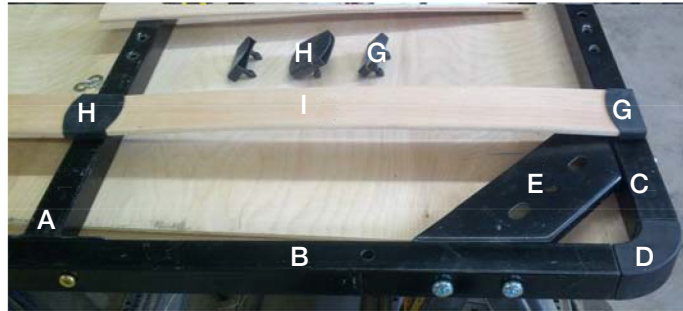


X-8000 Bed Platform Assembly Guide



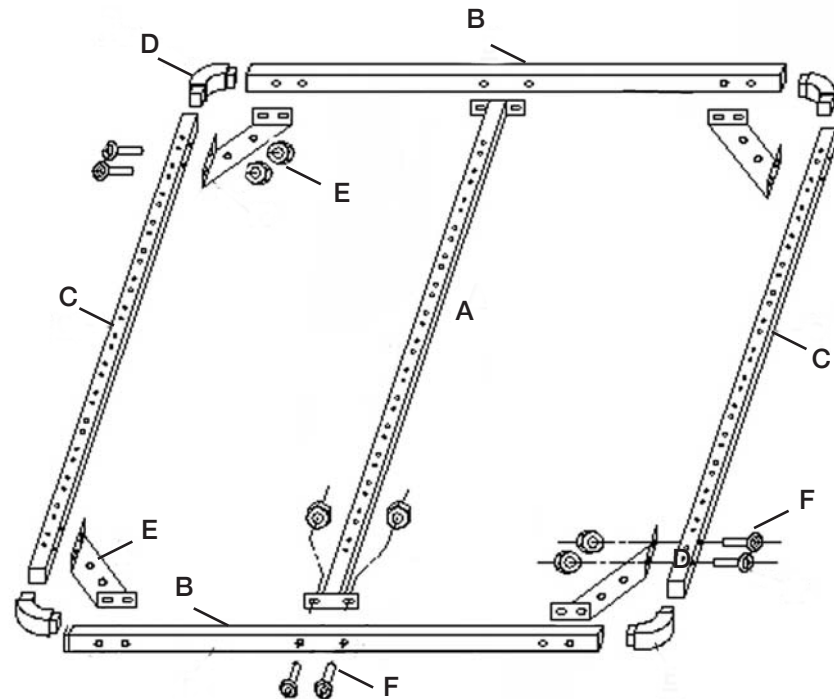
Assembly of the bed platform frame will require a flat, clear space of about 8' X 8'. Fasteners are provided for assembly of steel parts. Fasteners, 5/16" or M8, for attaching to wood furniture are buyer's option.

- 1 Insert one side of a compression corner connector (D) into a short end tube (B) and the other side into long side tube (C) to make the frame. Repeat to complete assembly of outer frame. Illustration shows bottom of platform. Top rails have perforations for plastic slat retainers.
- 2 Fasten the 4 corner gussets (E) to the frame with 8mm bolts and nuts. (F)
- 3 Fasten center tube (A) to the short head and foot tubes of the frame with 8mm bolts and nuts.
- 4 Insert Spade points of double slat retainer (H) in punched holes of center tube. A soft face hammer may be helpful.
- 5 Assemble slat (I) into center retainer and assemble single retainer (G) and insert single retainer into side tube.
- 6 When all slats are assembled into platform, verify dimension and fit to pedestal but do not attach. Platform must fit inside pedestal walls.
- 7 Attach mechanism to the pedestal and secure the piston in place.
- 8 Assemble platform to mechanism.
- 9 Confirm width and length of assembled platform will fit inside of pedestal sides.



Components

- A - Center Support
- B - Frame Head and Foot
- C - Frame Sides
- D - Corner Connectors
- E - Corner Gussets
- F - Fasteners
- G - Retainers, Slat 1 opening
- H - 8mm Bolts & Nuts
- I - Slats, Curved Beech
- J - Mattress Stop/Handles
- K - Mechanism



SELBY Lift Mechanisms for Platform Beds

Selby Furniture Hardware Company offers the custom cabinet and furniture maker a simple, trouble free solution for access to more space for their clients.

The bed maker may choose from one of Selby's 4 sizes, in 7 different weight ranges of access mechanisms.

The bed platform may be installed to open from either an end or the side of the bed.

Children must not operate this mechanism without adult supervision.

Our platform storage mechanism may be installed on a 5" bed rail or in a box pedestal for maximum space and security.

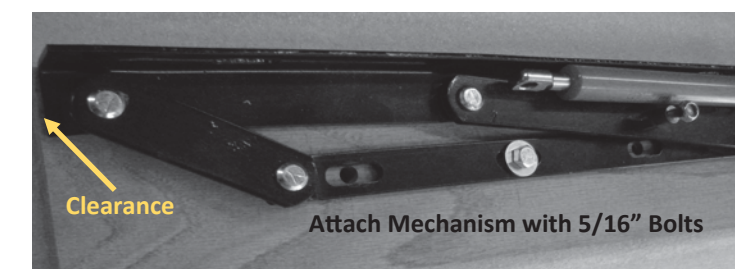
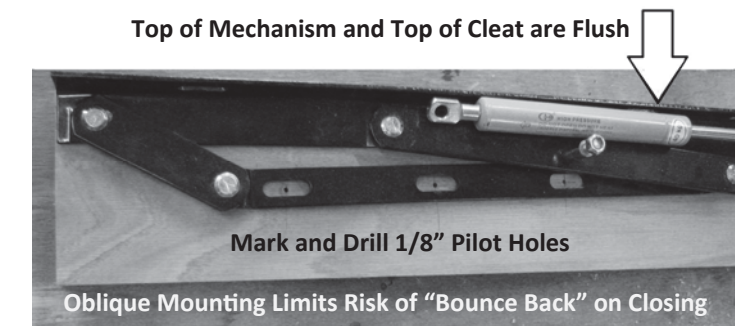
Our platform lift mechanism is intended for installation in an existing base or pedestal. A plan to build a pedestal can be found on page 2.

To install the mechanism

1. Cut an **OPTIONAL*** 5" hardwood lumber cleat to the same length as the 2 pedestal walls that will receive the mechanism. This length may be either the side walls or the head and foot walls providing that the wall is long enough for the mechanism.
2. Place the mechanism on the 5" wide cleat with the top of the angle iron flush with the top of the cleat and not closer to either end of the cleat than 1/8".
3. Position the mechanism so that the top angle iron and the bottom bar are parallel. See illustration.

4. Mark the position of the four mounting holes in the bottom bar of the mechanism on the cleat.
5. Remove the mechanism from the cleat and drill four 25/64" holes to fit 5/16" mounting screws and Tee Nuts
6. Assemble the right and left mechanisms to the right and left cleats and tighten the mounting screws.
7. Position the cleat against the inside of the pedestal wall so that the top edge of the cleat and the side wall are flush. Glue and screw into place. Fasteners will not be visible on the outside of the pedestal.
8. Place and center your platform on the pedestal. Carefully lift the top and mechanism arms and mark hole locations. Fasten top to mechanism and perform an open and close cycle to ensure that there is no interference.
9. The platform will move laterally as it lifts, for easy access.

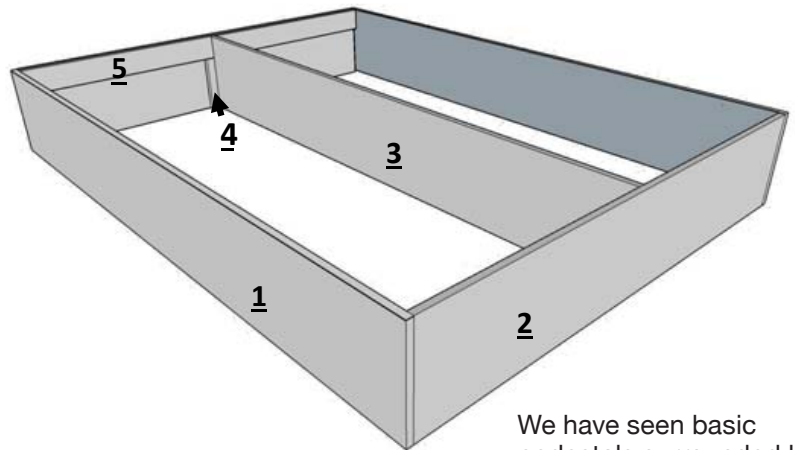
** Optional cleat permits mechanism attachment with no visible fasteners on the exterior of the pedestal. Note: Adding cleat may change dimensions of pedestal head and foot.*



The following instruction is for the construction of a basic pedestal to accept the platform and END OPENING lifting mechanisms. You may finish the pedestal to suit your need with a mattress frame, moldings to hide fastener heads, upholstery or a simple coat of paint.

First build a pedestal to fit the mattress size of choice. Measure the inside dimensions of your platform to ensure that it will fit inside of the pedestal walls.

The image shows a pedestal with a rest to support the foot of the bed frame, a center support for full and queen models and no optional floor, no optional mattress frame and no optional exterior moldings, etc. The pedestal is considered to be 3/4" plywood or edge glued 3/4" lumber.



We have seen basic pedestals surrounded by existing bed frames.

*** NOTE: Dimensions on Pedestal Head and Foot may change if adding side cleats. Plan is optional and for 12" deep pedestal, depth of 3/4" plywood, and may be altered.**

	Part	Qty.	Twin/Single	Full Double	Queen	Eastern/King
1	Pedestal Side	2	76½" x 12" x ¾"	76½" x 12" x ¾"	81½" x 12" x ¾"	81½" x 12" x ¾"
2	Pedestal Head or Foot	2	39" x 12" x ¾"	54" x 12" x ¾"	60" x 12" x ¾"	76" x 12" x ¾"
3	Pedestal Center Support	1 or 2*	N/A	75" x 12" x ¾"	80" x 12" x ¾"	80" x 12" x ¾"
4	Vertical Cleat, Center Support	4	N/A	8 ½" x 3½" x ¾"	8½" x 3½" x ¾"	8¼" x 3½" x ¾"
5	Foot Support	2	19" x 3½" x 1 ½"	26½" x 3 ½" x 1½"	29½" x 3½" x 1½"	37½" x 3½" x 1½"
	Mechanism Attachment	8 each	5/16" Bolts, Washers & Nuts	5/16" Bolts, Washers & Nuts	5/16" Bolts, Washers & Nuts	5/16" Bolts, Washers & Nuts

- * Center supports to match platform beams
- Assumes 12" high pedestal or Greater. Confirm Plywood Thickness used will allow platform hardware fit and finish
- Plywood or Lumber thickness and type of nut used will determine bolt length needed.
- Some plywood sold as ¾" is actually 18mm or about 23/32".

The gas struts used to assist the lifting function have a narrow effective weight range and may not function before a load is in place. Gas struts of proper value should function flawlessly. If the platform is difficult to lift the struts capacity is too light. If the lift is difficult to lower, the struts are too heavy.