

Features

- ▶ Made in Japan
- ▶ Available in 2 versions:
Small (15 inch pound) and
Medium Duty (40 inch pound)
- ▶ Holds lid in any position/angle -
no additional hardware needed
- ▶ Moves with ease
- ▶ Innovative torsion mechanism
- ▶ 304 Stainless Steel
- ▶ Superior strength (not die cast)
- ▶ Corrosion and heat resistant
- ▶ Cycle tested at 20,000 times
- ▶ Surface mount
- ▶ Screws not included
- ▶ #8 pan or round head screw
recommended
- ▶ 180 degree opening angle

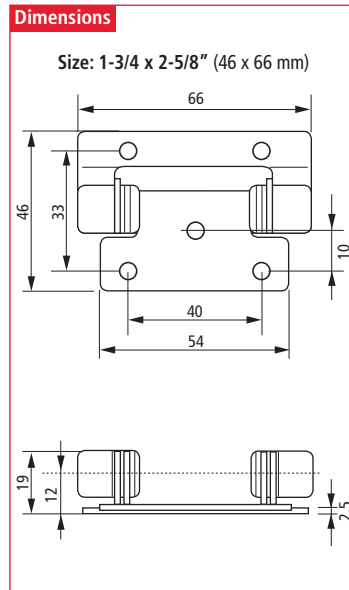
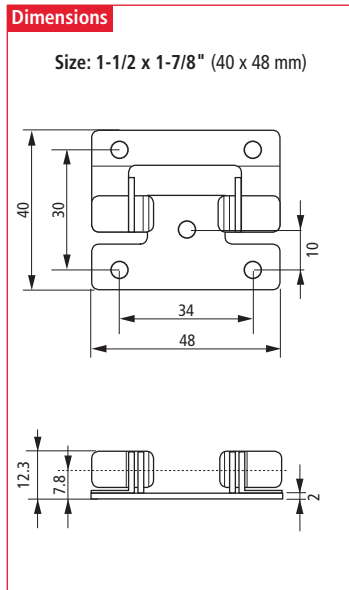
Applications

- ▶ Chests
- ▶ Toy boxes
- ▶ Storage
- ▶ Tool boxes
- ▶ Desks
- ▶ Cabinet Doors
- ▶ Access Panels
- ▶ Window seats
- ▶ Coffee table
- ▶ Jewelry and cigar boxes
- ▶ Marine
- ▶ Outdoor/wet environments
- ▶ RV's (indoor/outdoor use)



Small Version	
Item Number	Finish
24111 56 045	304 Stainless Steel
24111 62 049	Black Nickel (304SS)

Medium Version	
Item Number	Finish
24111 56 064	304 Stainless Steel
24111 62 065	Black Nickel (304SS)



Formula

Determine how many hinges you need

with Inches and lbs

with mm and kgs

	Lid Depth (inches)	Lid Weight (lbs)	Minimum quantity of hinges needed (Round up)
Small:	<input type="text"/>	<input type="text"/>	$\times 0.0127 \times \times 3.97 =$ <input type="text"/>
Medium:	<input type="text"/>	<input type="text"/>	$\times 0.0127 \times \times 1.11 =$ <input type="text"/>

	Lid Depth (mm)	Lid Weight (kgs)	Minimum quantity of hinges needed (Round up)
	<input type="text"/>	<input type="text"/>	$\div 2000 \times \times 8.75 =$ <input type="text"/>
	<input type="text"/>	<input type="text"/>	$\div 2000 \times \times 2.45 =$ <input type="text"/>

Maximum of 4 hinges recommended