

Tru-Trac 100 is a smart and economical choice for a 100-pound class, full-extension ball-bearing slide solution. Designed to meet the needs of today's value-conscious cabinet-maker, Tru-Trac 100 meets BHMA test standards.

The Tru-Trac 100 features a non-handed design, industry standard 1/2" side clearance and a lever disconnect for easy drawer removal. Ball-bearing construction delivers a smooth operation and a positive stop bumper provides an anti-rebound feature.

- 32mm and Traditional Hole Patterns
- Non-Handed Design
- Face Frame Mounting Hole
- Lever Disconnect for Easy Drawer Removal



**Product Specifications**

<b>Model Numbers</b>	TT100B 350 TT100B 400 TT100B 450 TT100B 500 TT100B 550
----------------------	--

<b>Extension</b>	Full Extension
------------------	----------------

<b>Mounting</b>	Side Mounting for Frame and Frameless Construction
-----------------	--

<b>Sizes</b>	350mm (~14"), 400mm (~16"), 450mm (~18"), 500mm (~20"), 550mm (~22")
--------------	--

<b>Clearance</b>	12.7mm + .8mm - 0mm [1/2" + 1/32" - 0"]
------------------	---

<b>Height</b>	45mm [1-49/64"]
---------------	-----------------

<b>Load Rating</b>	100 lb Class
--------------------	--------------

<b>Finish</b>	Zinc
---------------	------

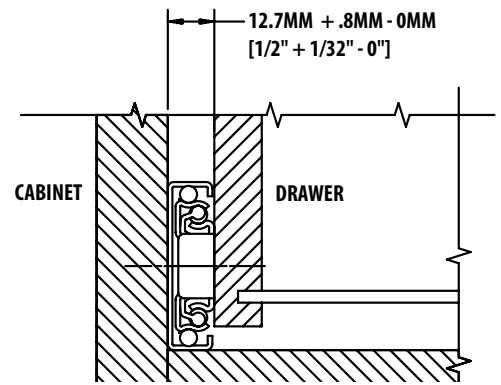
<b>Action</b>	Telescopic Movement on Steel Ball-bearings
---------------	--

**Packaging Options** Bulk Pack: 10 Sets per carton, with Installation Sheet, No Screws

Full Container Quantities Available.  
 Sets of Slides per Pallet:

350mm: 840 Sets    400mm: 840 Sets  
 450mm: 660 Sets    500mm: 660 Sets  
 550mm: 660 Sets

**Profile/ Side Clearance**



**Release Lever**

