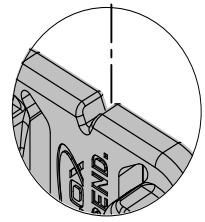
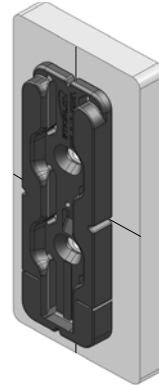


Flush Mount Horizontal or Vertical

1



Alignment Notches

Mark center lines, vertically and horizontally, on both substrates. Flush mounting requires no additional preparation. Line the notches in each component (Hook shown here) with the center lines. **Mark-Out Template** can also be used.

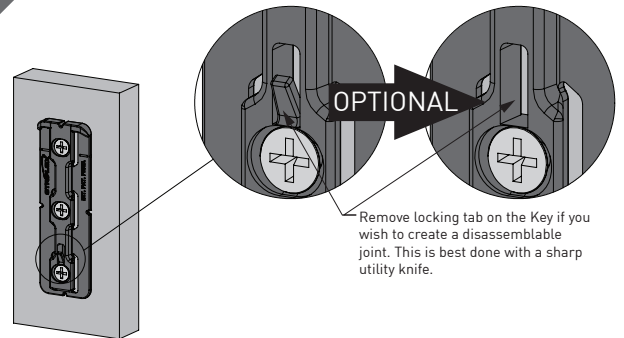
Material	High Strength Reinforced Nylon
Colour	Black
Fixing Method	8G Screws (5x) or Glue

2



Hold the component in place and fasten to the substrate/surface with 5 x 8G screws. Repeat for matching component. Ensure sufficient screw embedment in substrate.

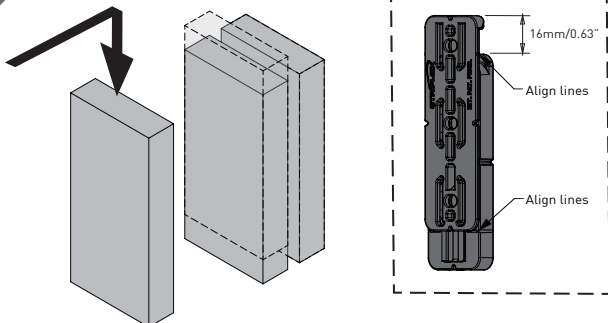
3



IMPORTANT NOTE:

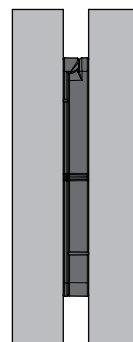
Prior to assembly, establish whether the joint is to be permanent or to be disassembled. If it is to be disassembled remove locking tab.

4



Assemble the joint remembering the Pro 23 only needs to travel 1 pitch (16mm-5/8") for full engagement. Alignment lines are molded into the parts to help with assembly.

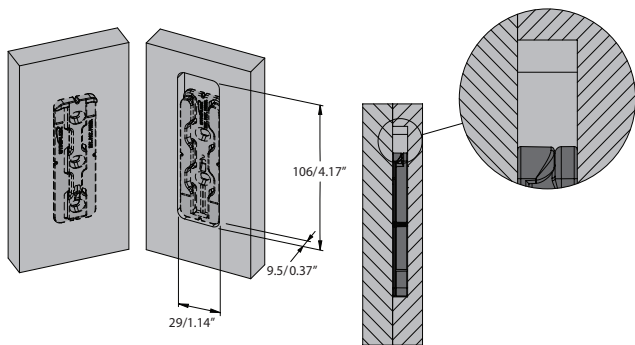
5



See second page for Rebate mounting options.

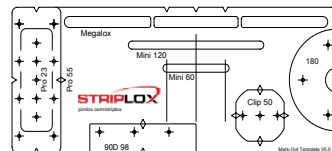
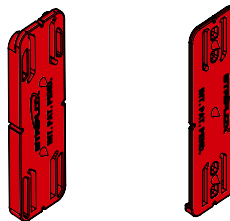
When assembled, the substrates will be separated by the thickness of the engaged Pro 23 (9.5mm-3/8").

Rebate Mounting



Full Rebate - of the substrate mounting face is rebated the full depth as shown. Ensure sufficient screw embedment in substrate. Recess 9.5mm/3/8"

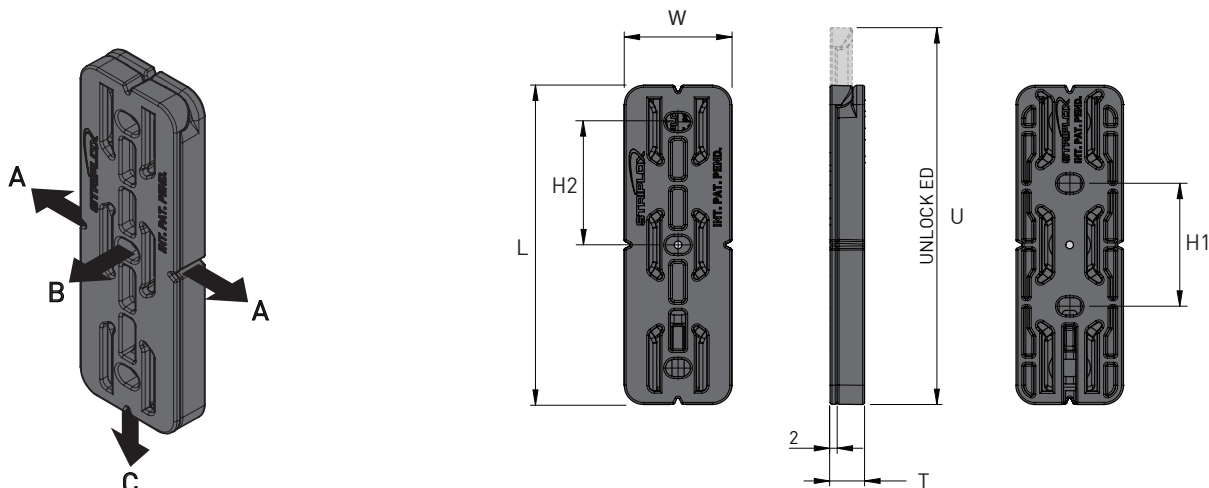
Installation Aids



Striplox Markout Jigs
These jigs can be used to accurately mark holes for mounting the Pro 23. Mount one half of the Pro23. Attach correct jig and press in position to find centres for mounting the other half.

Striplox Mark-Out Template
Developed to aid in the installation of all Striplox Products.

Dimensions and Load Capacity



	Dimensions						Ind. Load Capacity		
--	------------	--	--	--	--	--	--------------------	--	--

Units	W	L	T	U	H1	H2	A	B	C
Metric (mm/kg)	28	89	9	105	32	32	110	95	160
Imperial (in/lbs)	1.10	3.50	0.35	4.13	1.26	1.26	242	209	352

Striplox products are designed and tested for a range of applications. Product use is subject to variable materials and conditions. Technical information and load ratings are a guide only without warranty. A1 Cabinet Supplies Pty Ltd will not be liable for any subsequent damage to, or loss from, the use of this product or this information.

Visit www.striplox.com to find out more about these installation aids.

YouTube V=6-uHpTSGcMo

X