

SOFT DOWN STAY SDS-C301N -- 90° OPEN -- LAMP®

Please follow these instructions carefully for proper use. (WITH CONCEALED HINGES 19M/M OVERLAY TYPE)

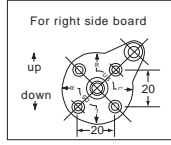
HOW TO INSTALL AND LOCATION OF MOUNTING PLATES

● PLATE POSITION FOR INSTALLATION

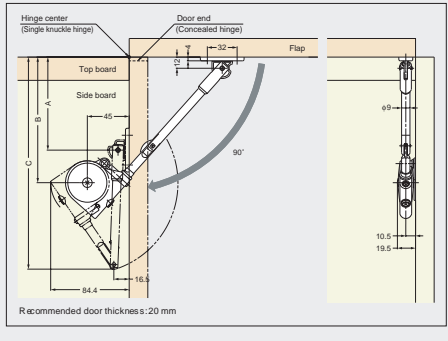
Depending on the type of the hinges used, the position of the mounting plate and arm fixing plate should be fixed as indicated below. In this case where LAMP hinge (100-32/19) is used, the distance for A/B/C is measured from the flap edge.

	A	B	C
European concealed hinge	108mm	143mm	232mm

When other type hinges are used, please contact our sales staff.



The installation direction of the mounting plate (Type SDS-100 follows the inscription of "DS".)
For right side fixing, the arrow of "R" on the DS side should point upward vertically.
For left side fixing, the arrow of "L" on the DS side should point upward vertically.



● HOW TO INSTALL

Install the mounting plate and arm fixing plate with the enclosed wood screws at the designated places.

Insert the "key" of the cam of arm-tip into the key hole of the fixing plate. The main body must be placed at 90 degrees angle against the fixing plate.

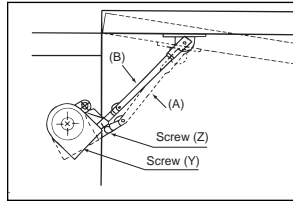
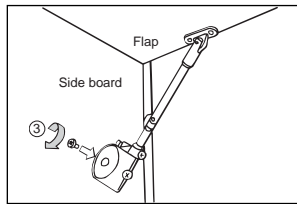
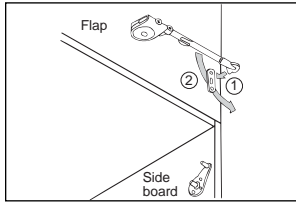
PAT. P (Japan & many other countries)

IDEAL: FOR FLAP OF 400-450 (H) x 1,000 (W) x 20 (T) WITH SDS-C301N ON BOTH SIDES. (MAX WEIGHT APPROX. 6.5KG)

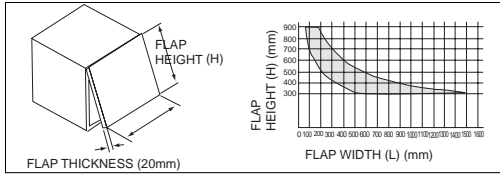
- Turn the main body 90 degrees and insert the knurly axis of the mounting plate to the hole of the main body.
- Then fix the main body with bind screw attached.

● ADJUSTMENT

If the door is in the position as shown below (A), turn the opening angle adjustment screw (Z) so that the arm can stretch in a straight line as shown (B).



THE DIMENSION OF THE FLAP



THE DIMENSION OF THE FLAP

SOFT DOWN STAY must be used taking the size of the flap into consideration. The graph indicates the usable range when using one SDS stay. When using two stays, the width of flap can be twice as large if the height remains unchanged.

(Note) The graph shown to the left is in case of a usual wooden flap of 20mm thick (specific gravity approx 0.5)

- In case of lighter or heavier flap doors that do not fit within the above specified range please contact our sales staff.

MATERIAL AND FINISH

Material: Plastic and steel Finish: Nickel plated (steel)

REMARKS

For a light weight lid, SDS-C301NL is available.

- To avoid serious damage and/or injury, do not attempt to disassemble the body of SDS stay.
- Please contact our sales staff when you use LAPCON series products under extreme high and or low temperature
- Dimension and specification can be changed with or without notice.
- This product was developed as a flap stay. Do not use it for other purpose.
- Do not attempt to close the flap by extra force.

SUGATSUNE KOGYO CO .LTD.

1-8-11, HIGASHIKANDA, CHIYODAKU,
TOKYO, 101-8633, JAPAN
PHONE :81 3-3866-2260
TELEX :J28289 LAMP
FAX :813-3866-4447

SUGATSUNE AMERICA INC.

221 EAST SELANDIA LANE, CARSON,
CALIFORNIA, 90746, U.S.A.
PHONE :(213)329-6373
TOLL FREE :(1-800)562-LAMP
FAX :(213)329-0819

