

INSTRUCTION MANUAL: A LAPCON SERIES PRODUCT SOFT DOWN STAY TYPE SDS-210 (105° OPEN)

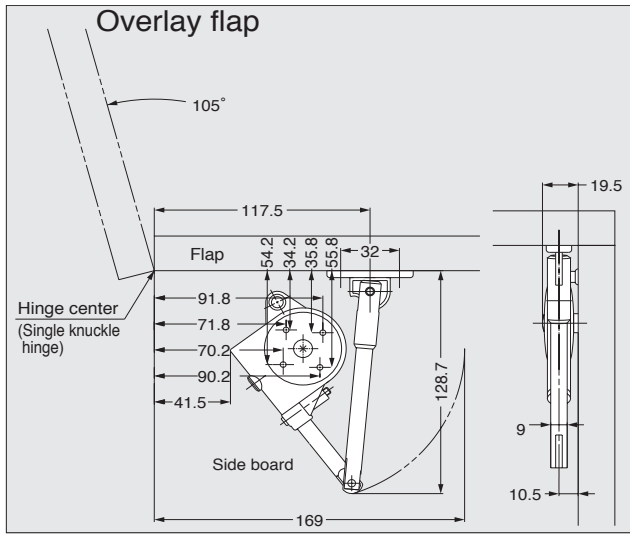
LAMP®

Please follow these instructions carefully for proper use.

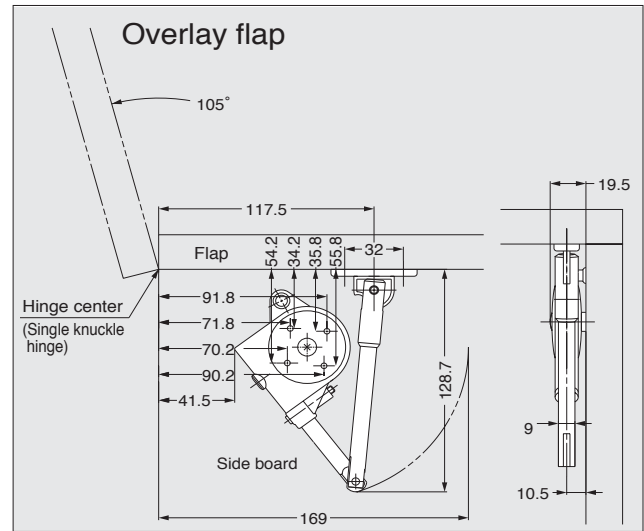
PAT. P (Japan & many other countries)

HOW TO INSTALL AND LOCATION OF MOUNTING PLATES

Drawings 1 & 2 show examples for use of butt hinges. In case other types of hinges, other angle opening and other thickness of flap are used, please contact our sales staff



Example for use of butt hinge on right hand side board



Example for use of butt hinge on right hand side board

• HOW TO INSTALL

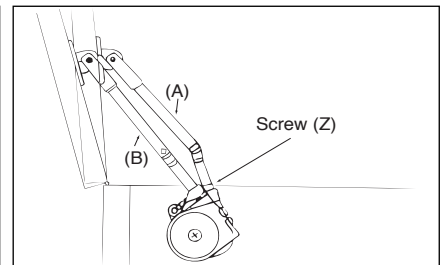
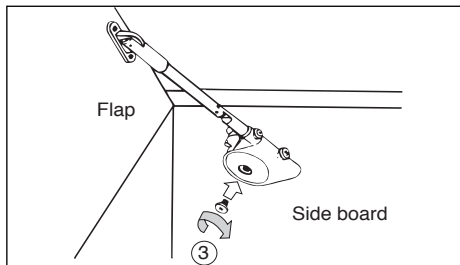
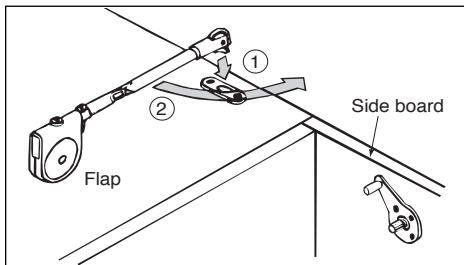
Install the mounting plate and arm fixing plate with the enclosed wood screws at the designated places.

Insert the "key" of the cam of arm-tip into the key hole of the fixing plate. The main body must be placed at 90 degrees angle against the fixing plate.

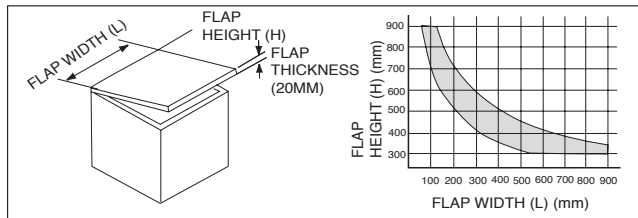
- Turn the main body 90 degrees and insert the knurly axis of the mounting plate to the hole of the main body.
- Then fix the main body with bind screw attached.

• ADJUSTMENT

If the door is in the position as shown below(A), turn the opening angle adjustment screw (Z) so that the arm can stretch in a straight line as shown (B).



THE DIMENSION OF THE FLAP



THE DIMENSION OF THE FLAP

SOFT DOWN STAY must be used taking the size of the flap into consideration.

The graph indicated the usable range when using one SDS stay

When using two stays, the width of flap can be twice as large if the height remains unchanged.

(Note) The graph shown to the left is in case of a usual wooden flap of 20mm thick (specific gravity approx 0.5)

- In case of lighter or heavier flap doors that do not fit within the above specified range please contact our sales staff.



MATERIAL AND FINISH

Material: Plastic and steel Finish: Nickel plated (steel)

REMARKS

- To avoid serious damage and/or injury, do not attempt to disassemble the body of SDS stay
- Please contact our sales staff when you use LAPCON series products under extreme high and or low temperature
- Dimension and specification can be changed with or without notice.

For a light weight lid, SDS-301NL is available.

SUGATSUNE KOGYO CO .LTD.

1-8-11, HIGASHIKANDA, CHIYODAKU,
TOKYO, 101-8633, JAPAN
PHONE :81 3-3866-2260
TELEX :J28289 LAMP
FAX :813-3866-4447

SUGATSUNE AMERICA INC.

221 EAST SELANDIA LANE, CARSON,
CALIFORNIA, 90746, U.S.A.
PHONE :(213)329-6373
TOLL FREE :(1-800)562-LAMP
FAX :(213)329-0819