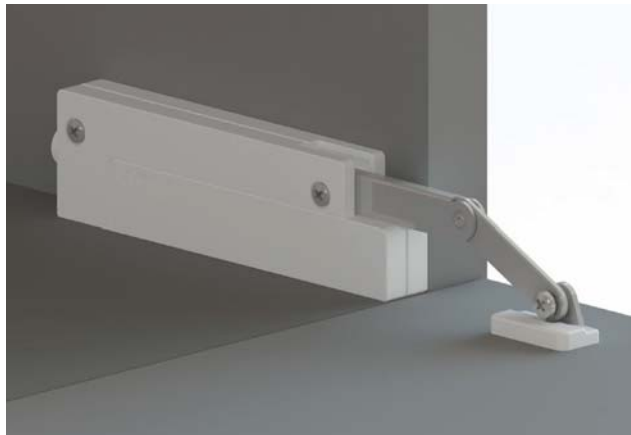


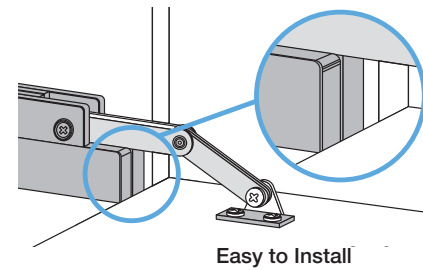
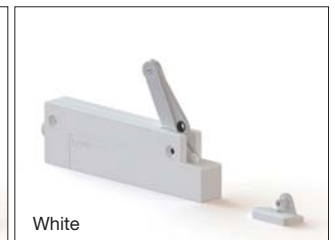
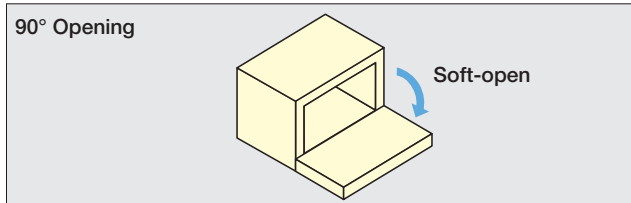
COMPACT SOFT-DOWN STAY



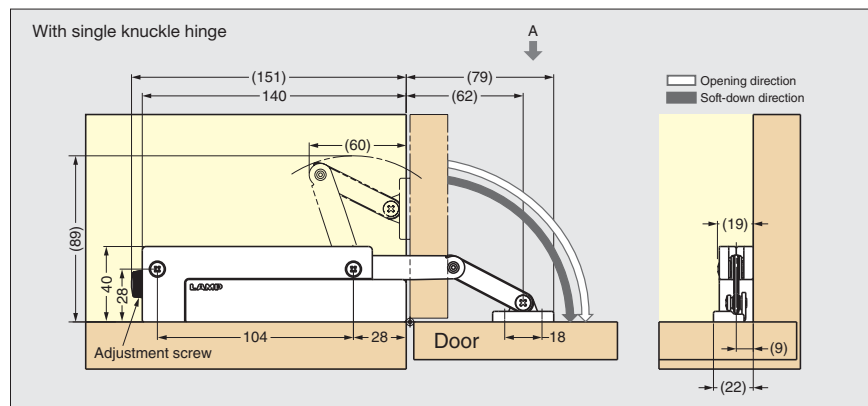
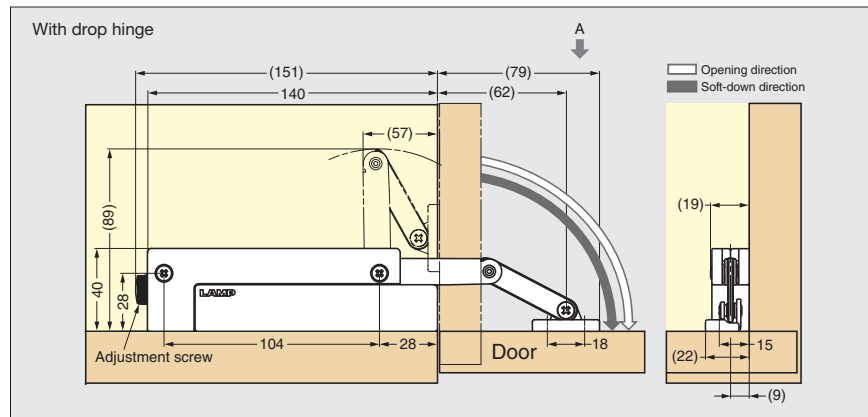
CSD-10-TV



- Soft-down stay for DOWNWARD-OPENING FLAP DOOR with piano, butt, or drop hinge (SDH-001).
- Easy to install by aligning the body to the edge of a cabinet.
- Designed for smaller cabinet doors in media centers or TV consoles.
- Opening speed adjustable. The adjustment screw located on back for clean appearance.
- Holds lid in closed position.
- Non-handed.
- Torque Calculation:
 $\text{Torque} = \text{Door Height} \times 1/2 \times \text{Door Weight}$
 L-Type (Light Duty): 10.2~20.4 kg-cm/each (8.8~17.7 lbs-in/each)
 M-Type (Medium Duty): 20.4~30.6 kg-cm/each (17.7~26.6 lbs-in/each)
 H-Type (Heavy Duty): 30.6~40.8 kg-cm/each (26.6~35.4 lbs-in/each)

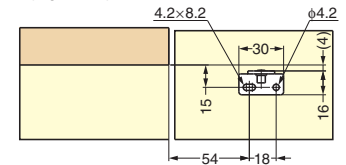


Installation

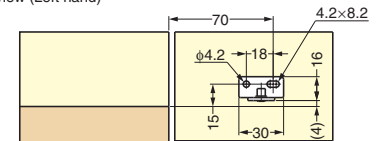


Installation of Mounting Plate

A-view (Right hand)



A-view (Left hand)



Item No.	Type	Torque (kg-cm/each)	Weight (g)	Box (pcs)	Carton (pcs)
CSD-10-TV-L-WT	Light Duty	10.2~20.4 (8.8~17.7 lbs-in)	125	10	100
CSD-10-TV-L-BL					
CSD-10-TV-M-WT	Medium Duty	20.4~30.6 (17.7~26.6 lbs-in)	130		
CSD-10-TV-M-BL					
CSD-10-TV-H-WT	Heavy Duty	30.6~40.8 (26.6~35.4 lbs-in)	130		
CSD-10-TV-H-BL					

Material	Finish
Steel	Nickel
Plastic	White/Black