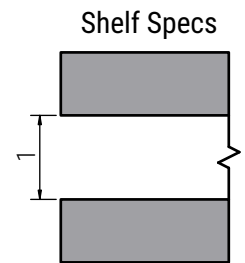
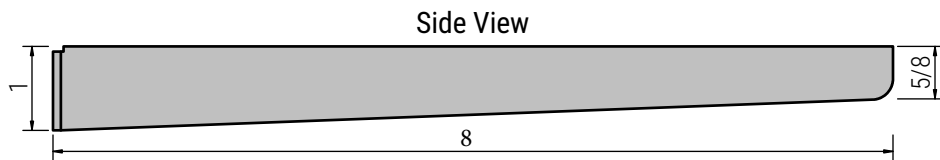
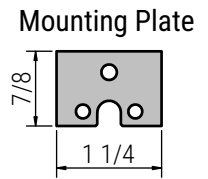
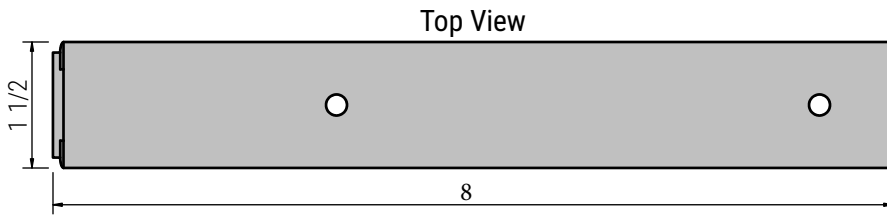
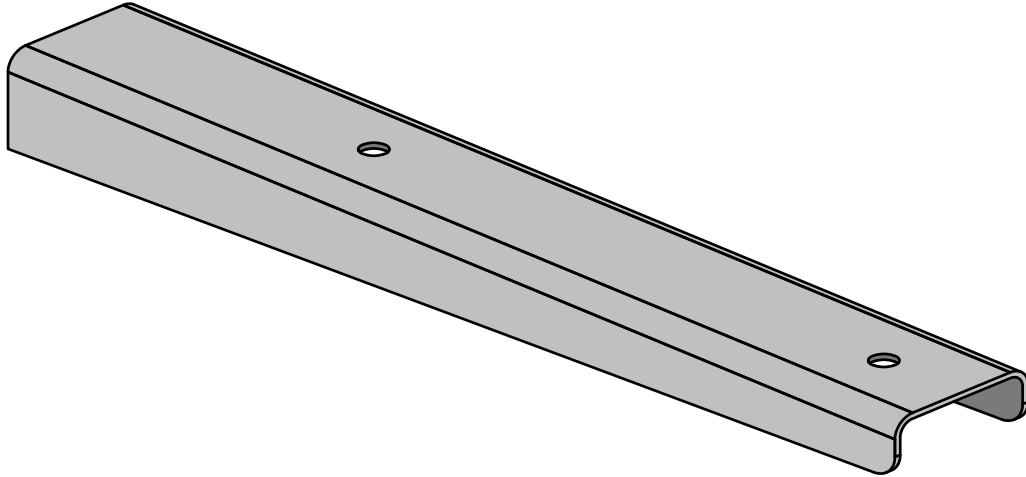




EZ-LOC 1010-8 Specs



Weight Limit [per bracket]
Wood Stud: 50 lb

Deflection [wood stud application]
50 lb: 1/16