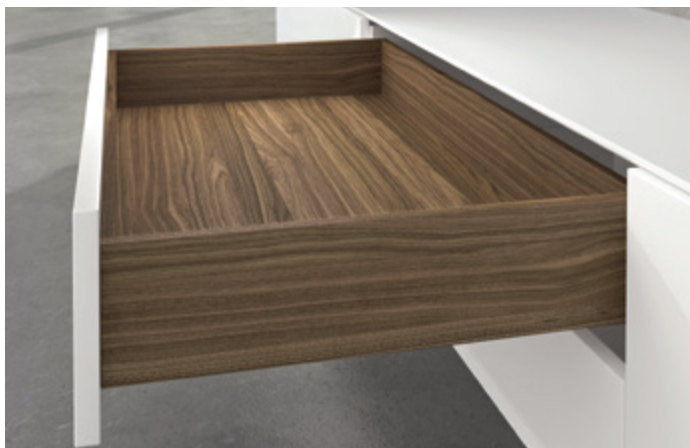




Runners for wooden drawers  
QUADRO 4D V6 IW21 full extension



# Quadro 4D V6 IW 21 full extension runner with Silent System



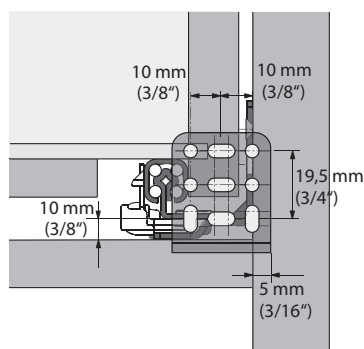
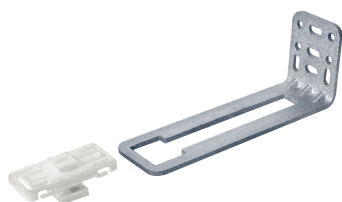
- ▶ Silent System - the integrated Silent System closes the drawer quietly and gently
- ▶ Convenient slide on installation with 4D catches and tilt adjustment
- ▶ Integrated intuitive height, side, tilt and depth adjustment up to +/- 2 mm without the need for tools
- ▶ Loading capacity according to BHMA standard
- ▶ Galvanized steel, suitable for rooms exposed to moisture

Loading capacity up to 90 lbs

## Quadro 4D V6 IW21 full extension drawer slide with Silent System

Nominal length / drawer length mm / in	Order Number with Silent System		PU	PU Sets (5) D Pack
	left	right		
229 / 9"	9 181 140	9 181 141	10 ea.	9 209 777
305 / 12"	9 181 142	9 181 143	10 ea.	9 209 798
381 / 15"	9 181 144	9 181 145	10 ea.	9 209 799
457 / 18"	9 181 146	9 181 147	10 ea.	9 209 800
533 / 21"	9 181 148	9 181 149	10 ea.	9 209 801
610 / 24"	9 181 150	9 181 151	10 ea.	9 209 802

## Metal rear attachment set (screw-on)



- ⇄ 2 metal rear mount brackets
- ⇄ 2 plastic connectors
- ⇄ Non-handed, two-piece design
- ⇄ For up to 50 mm (1 15/16") depth adjustment and ± 1.5 mm (1/16") side adjustment
- ⇄ Additional adjustment via oblong holes
- ⇄ Installation recommended with min. four #6 pan head screws or similar

Item	Order no.	QTY
Rear attachment set	9 055 093	10

# Quadro 4D V6 IW 21 full extension runner with Silent System

## Clip for wooden drawers with grooved bottom panel



- ▶ For securely connecting the Quadro runner and wooden drawer without the need for tools
- ▶ Tool-less height adjustment up to + 2 mm and side adjustment up to +/- 1.5 mm
- ▶ Plastic, grey

Article	Order no.	PU
Clip, Quadro 4D, left bulk	9 183 185	100 ea.
Clip, Quadro 4D, right bulk	9 183 186	100 ea.



DISTRIBUTOR PACK	Order no.	PU
Quadro 4D Front Fixing Clips and Spacers	9 218 980	10 sets

Dpack includes:

- 10 LH Front Fixing Clips
- 10 RH Front Fixing Clips
- 20 Spacers for 1/2" drawer box material

## Tilt adjuster for wooden drawers with grooved bottom panel



- ▶ Large range within which the push-in hook can be inserted in the runner for safe installation, even when the adjustment range is fully used
- ▶ Tool-less tilt adjustment, conveniently achieved by pulling the drawer forward slightly on the runner
- ▶ Plastic, grey

Article	Order no.	PU
Tilt adjuster, Quadro 4D, left bulk	9 205 924	100 ea.
Tilt adjuster, Quadro 4D, right bulk	9 205 925	100 ea.

DISTRIBUTOR PACK	Order no.	PU
Quadro 4D Front Fixing Clips, Tilt Adjusters and Spacers	9 218 979	10 sets

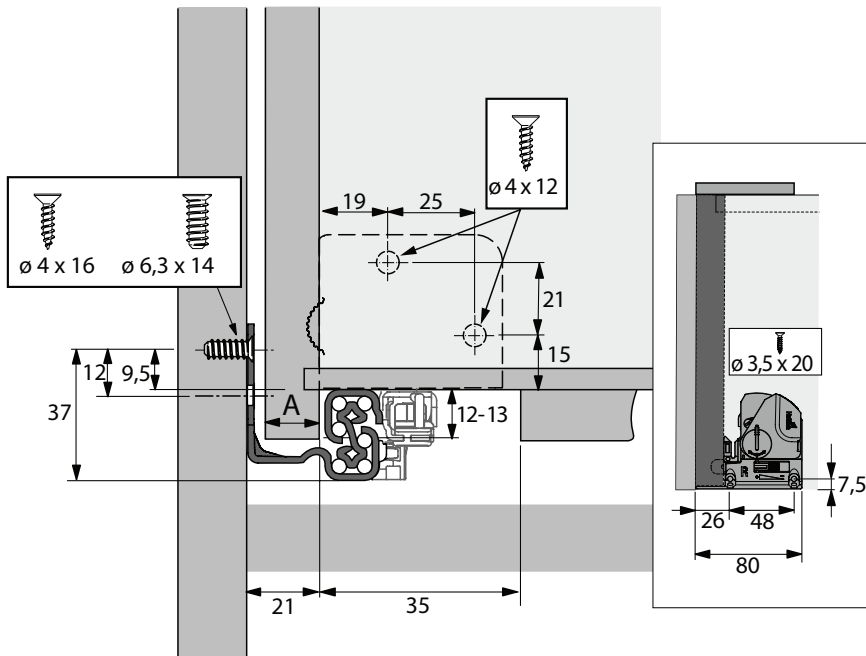
Dpack includes:

- 10 LH Front Fixing Clips
- 10 RH Front Fixing Clips
- 10 LH Tilt Adjusters
- 10 RH Tilt Adjusters
- 20 Spacers for 1/2" drawer box material



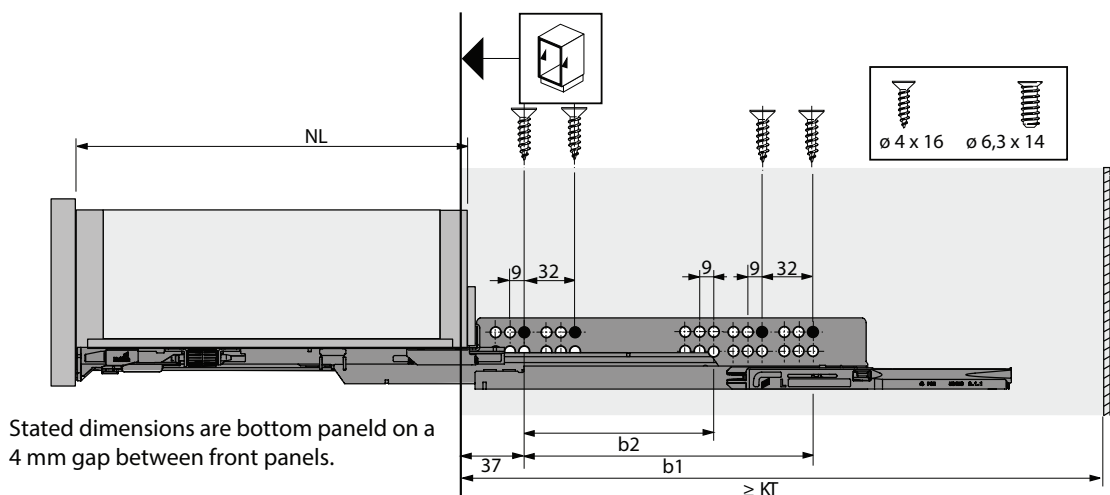
# Quadro 4D V6 IW 21 full extension runner with Silent System

## Planning dimensions



\* Limited side adjustment, internal drawer width not compatible with Quadro V6

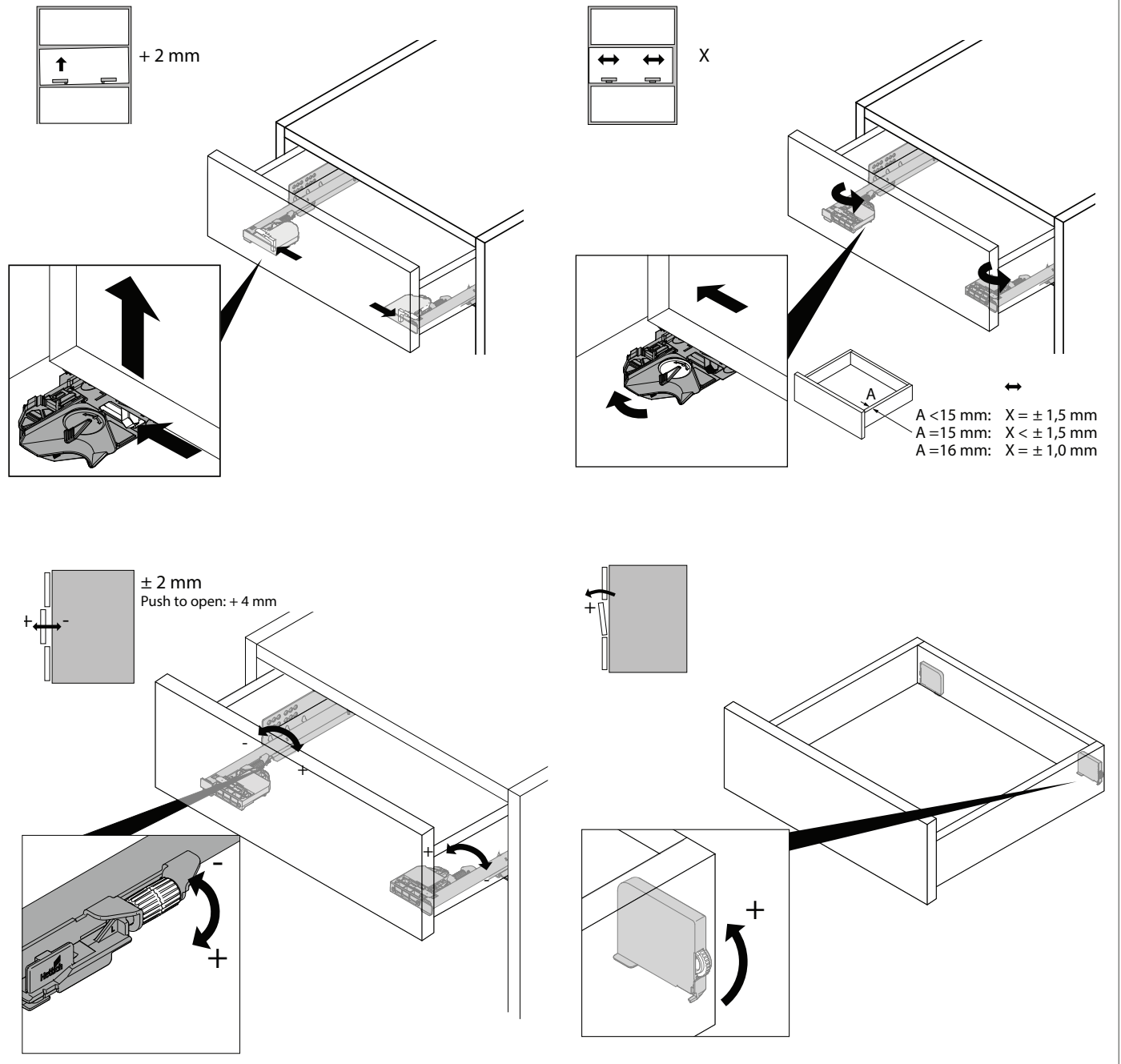
## Planning dimensions



Stated dimensions are bottom panel on a 4 mm gap between front panels.

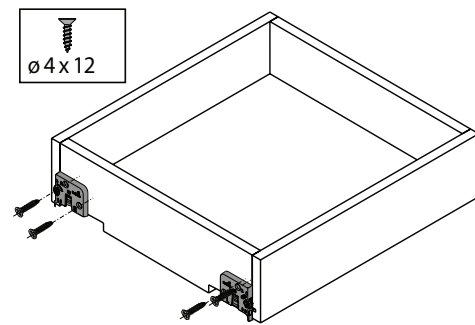
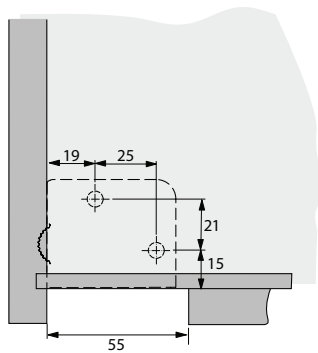
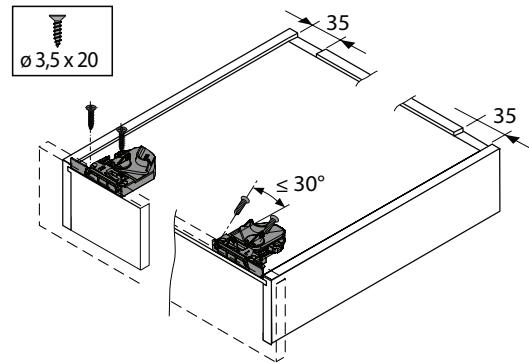
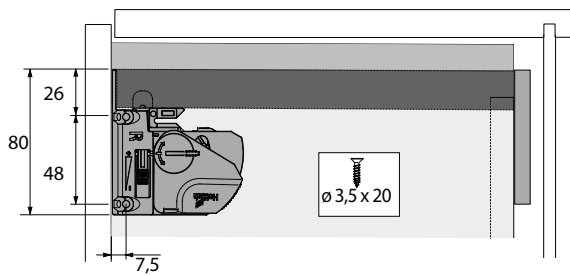
# Quadro 4D V6 IW 21 full extension runner with Silent System

## Quadro 4D V6 full extension runner: adjustment of the drawer front



# Quadro 4D V6 IW 21 full extension runner with Silent System

Catch and tilt adjuster for wooden drawers with grooved bottom panel (Quadro 4D V6 full extension runner)



[www.hettich.com](http://www.hettich.com)

Hettich America, L.P.  
4295 Hamilton Mill Road  
Suite 400  
Buford, GA 30518  
Phone: 1-800-438-8424  
Fax: 1-800-627-5152  
[info@hettichamerica.com](mailto:info@hettichamerica.com)

HUS IW21 4D 04/16 921935500

Technik für Möbel

