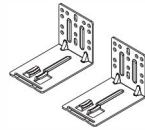
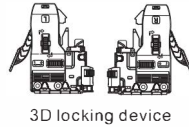
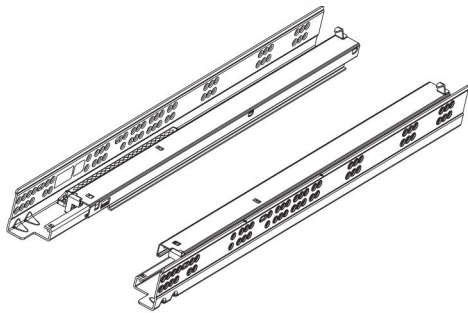


# 8500 SERIES

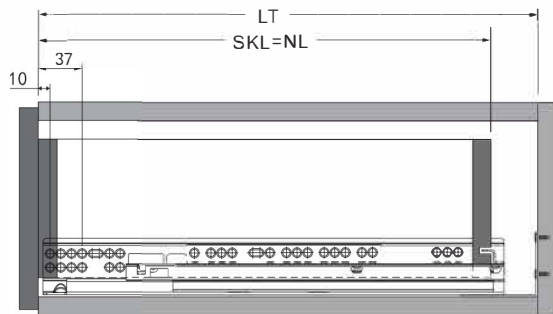


Soft-closing Concealed Full Extension Slide for US Cabinet (16mm board thickness with 3D locking device)



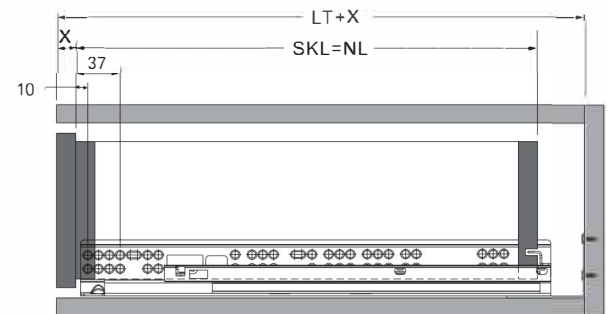
## Standard drawer

LT: Inside Cabinet Depth



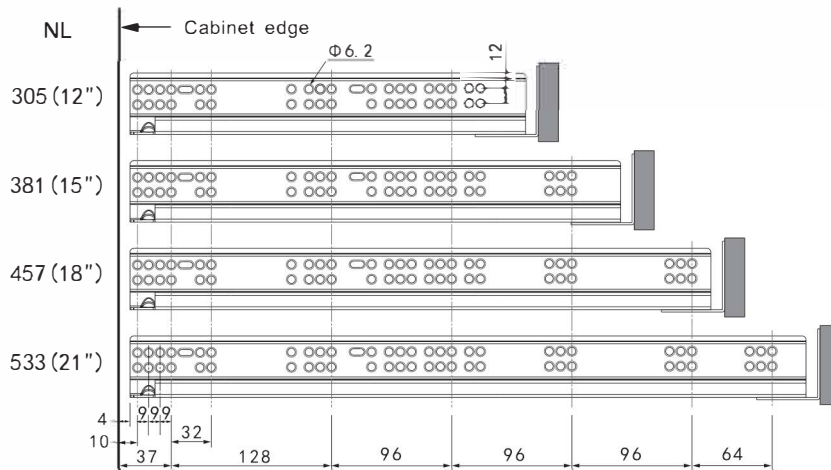
## Inner drawer

SKL: Drawer Length



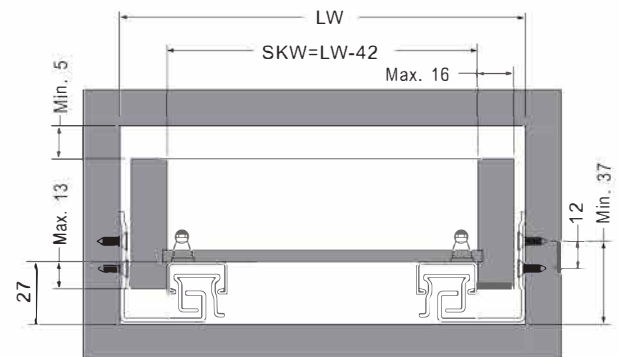
## Screw position

NL: Nominal Slide Length



## Space requirement in cabinet

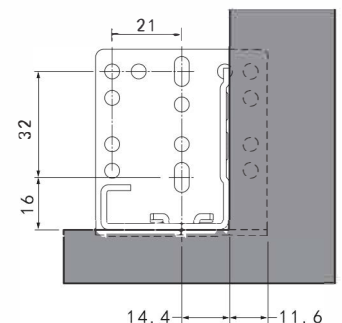
LW: Internal Cabinet Width  
SKW: Internal Drawer Width



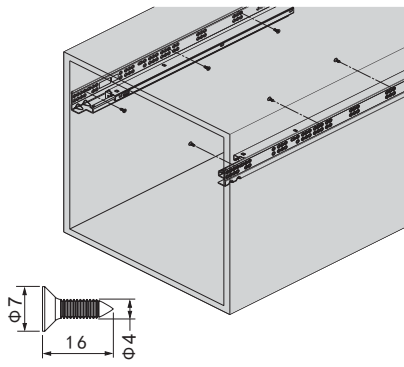
## Product information

Item No.	Drawer Length (SKL)	Pull-out Length (mm)	Inside Cabinet Depth (LT) (mm)	
			Min	Max
8500-12-SOFT	305 (12")	295	329/ (329+X)	374/ (374+X)
8500-15-SOFT	381 (15")	371	405/ (405+X)	450/ (450+X)
8500-18-SOFT	457 (18")	447	481/ (481+X)	526/ (526+X)
8500-21-SOFT	533 (21")	523	557/ (557+X)	602/ (602+X)

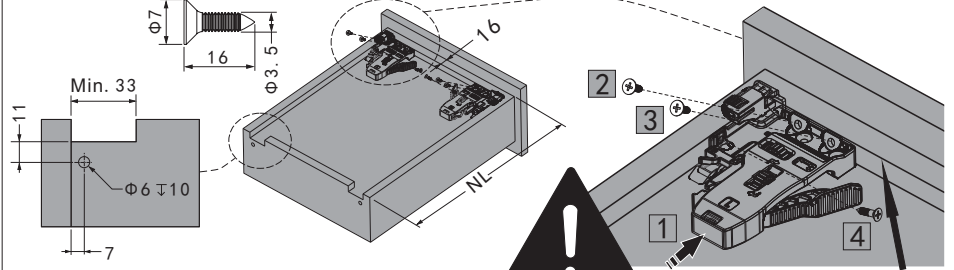
## Rear mounting bracket



### Slide installation



### Drawer back preparation & 3D Locking device installation

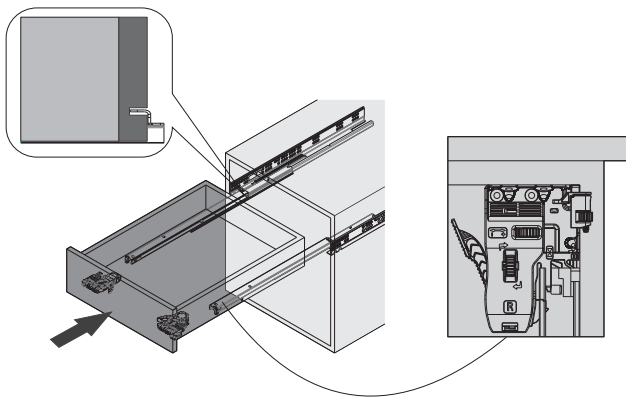


1. Push the locking device and stick it closely to Side B and drawer Bottom
2. Keep the locking device closely stuck, mount the #2 screw
3. Keep the locking device closely stuck, mount the #3 screw
4. Mount the #4 screw if necessary

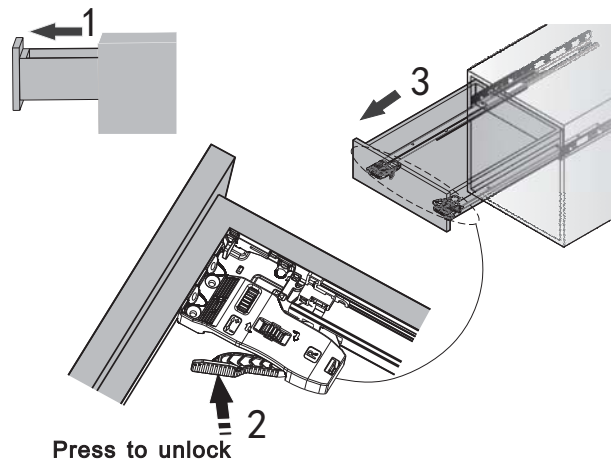
**Note:** The mounting screws must go in at smallest angle as could as possible so that the locking device fits flush to the drawer bottom.

**Step:** 1 → 2 → 3 → 4

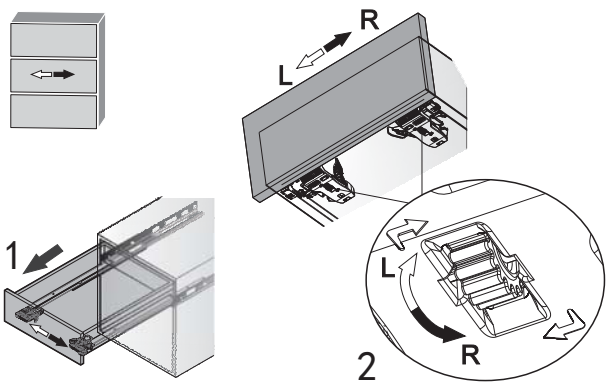
### Drawer installation



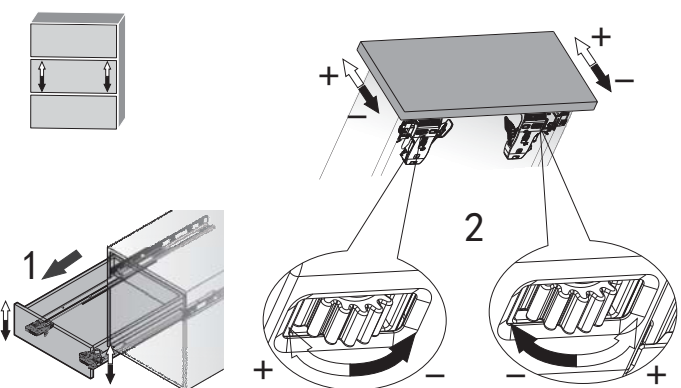
### Removal of the drawer



### Side adjustment



### Height adjustment



### Depth adjustment

