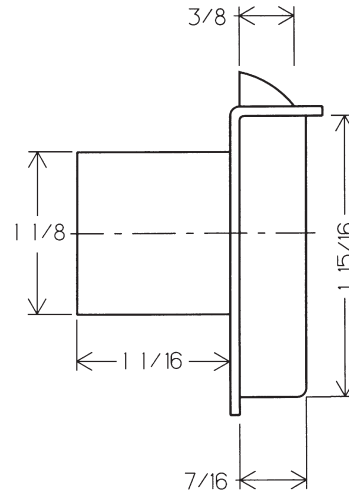
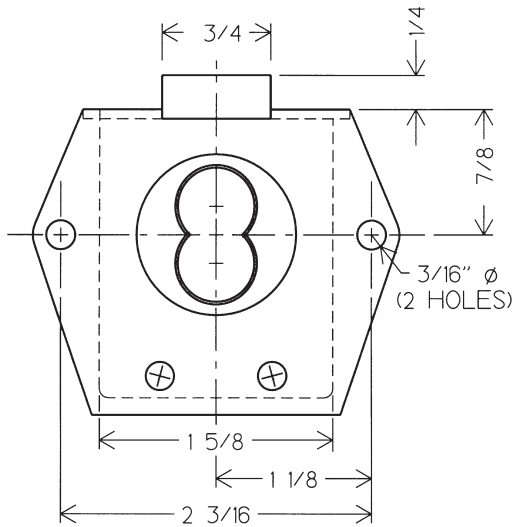


Installation Instructions

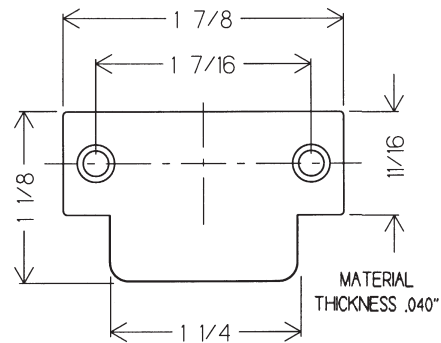
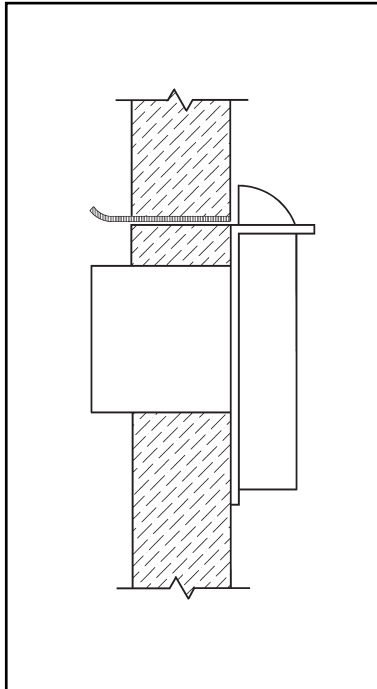
725RL

Includes

2 Mounting screws #8 x 5/8"
2 Strike screws #5 x 5/8"



Typical Installation



Title

Installation instructions for 725RL series cabinet lock

Series

725RL

Barrel Length

1-1/16"

Bolt type

Latch

Mounting

Surface

Revision Date

07/2009

OLYMPUS
LOCK, INC.