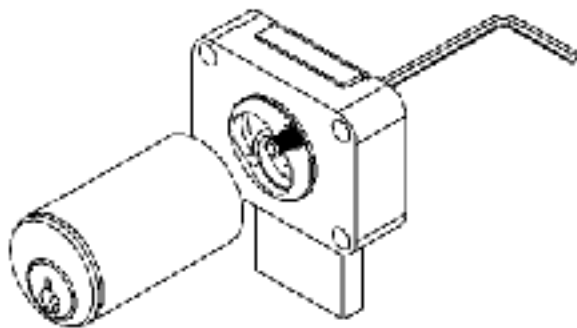
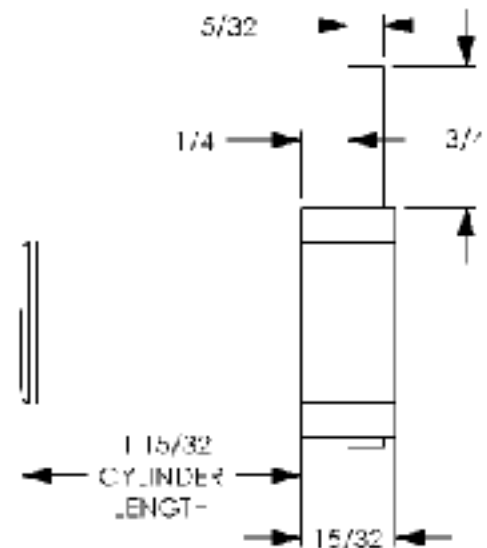
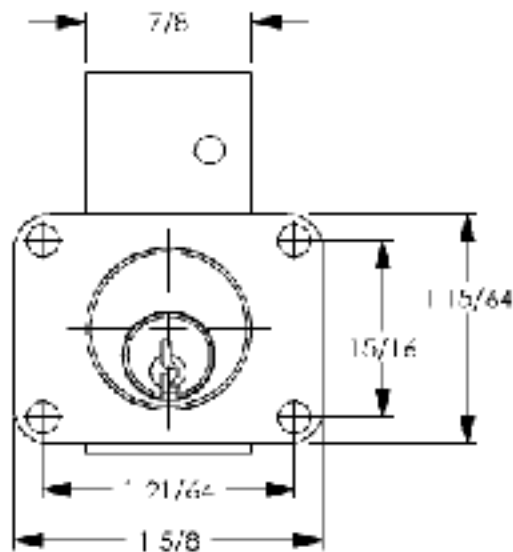


STOCK LOCKS

Manufactured by

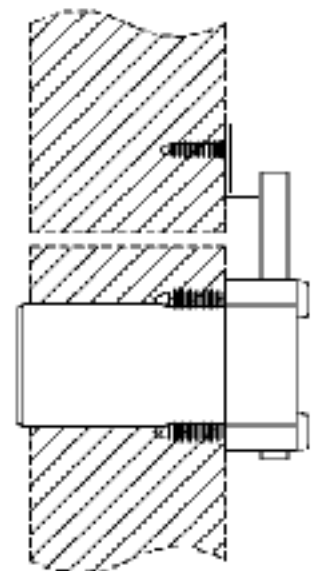
NATIONAL 
CABINET LOCK

C8179 DRAWER LOCK - 4 PIN TUMBLER - BRASS CYLINDER

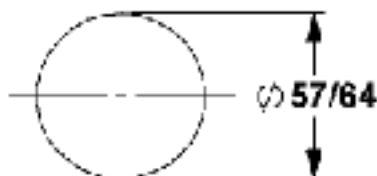


USE A $5/64$ ALLEN WRENCH FROM THE BACK TO REMOVE THE CYLINDER.

NOTE: LOCK MUST BE IN THE POSITION SHOWN.



CYLINDER MOUNTING HOLE



DRILL $1/16$ INCH DIAMETER PILOT HOLES FOR MOUNTING SCREWS

LOCK IS SHOWN IN LOCKED POSITION FOR STANDARD DRAWER APPLICATIONS.