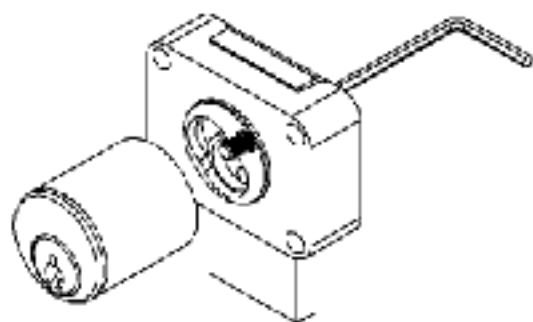
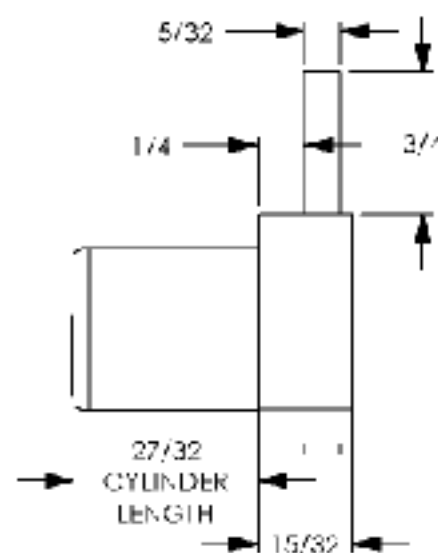
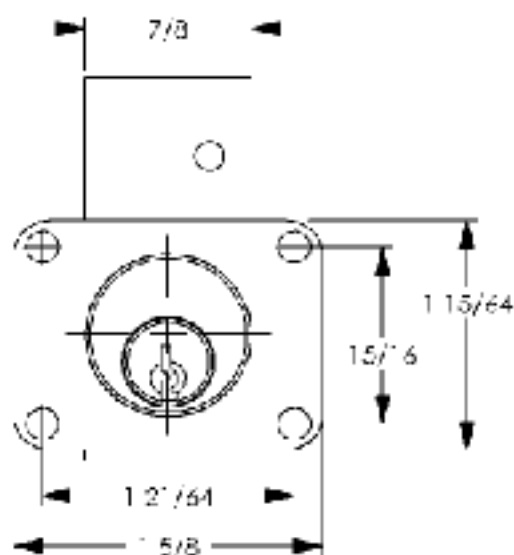


STOCK LOCKS

Manufactured by

NATIONAL 
CABINET LOCK

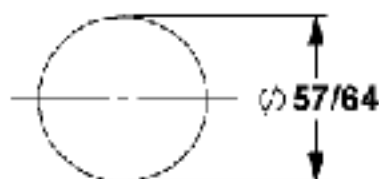
C8178 DRAWER LOCK - 4 PIN TUMBLER - BRASS CYLINDER



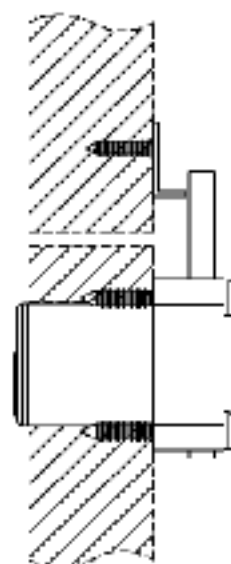
USE A 5/64 ALLEN WRENCH FROM THE BACK TO REMOVE THE CYLINDER.

NOTE: LOCK MUST BE IN THE POSITION SHOWN.

CYLINDER MOUNTING HOLE



DRILL 1/16 INCH DIAMETER PILOT HOLES FOR MOUNTING SCREWS



LOCK IS SHOWN IN LOCKED POSITION FOR STANDARD DRAWER APPLICATIONS.