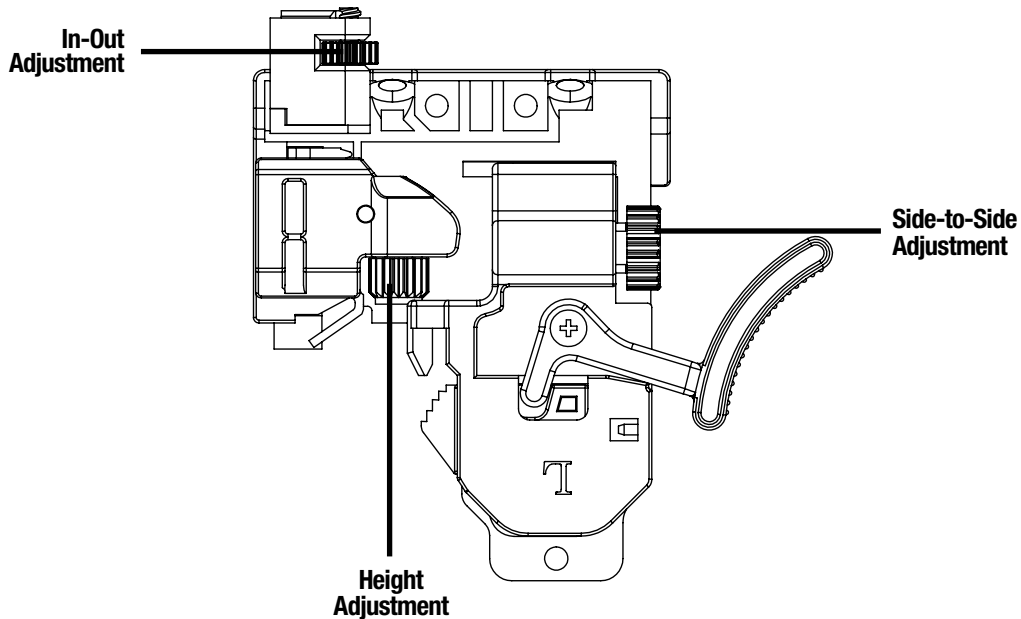


SPECIFICATIONS

- Number:** KV GSlide Soft-Close Undermount Drawer Slide
- Mounting:** Side, for Frame or Frameless Construction
- Height:** 1-7/8" (47.5mm)
- Load Rating:** 75-Pound Class
- Finish:** Zinc
- Travel:** Full Extension
- Maximum Material Thickness:** 5/8" (16mm)
- Height Adjustment:** 1/8" (+3mm)
- Side Adjustment:** 1/16" (+/-1.5mm)
- In-Out Adjustment:** 1/8" (+3mm)
- Sizes:** 12", 15", 18", 21"
- Packaged:** Bulk (B): 6 Pairs per Carton
- Slide Fasteners:** #7 x 5/8" Flat Head Screw
- Release Levers:** #7 x 3/4" Flat Head Screw

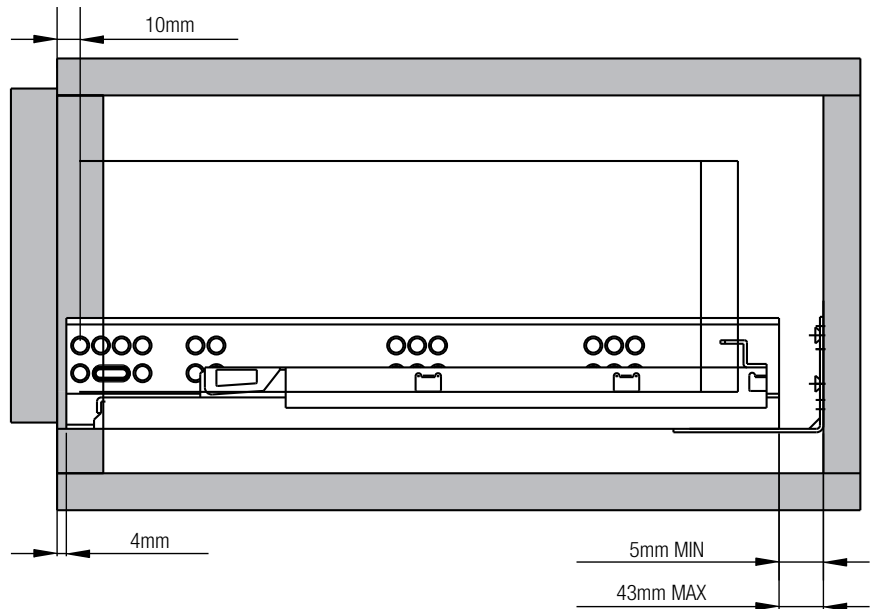
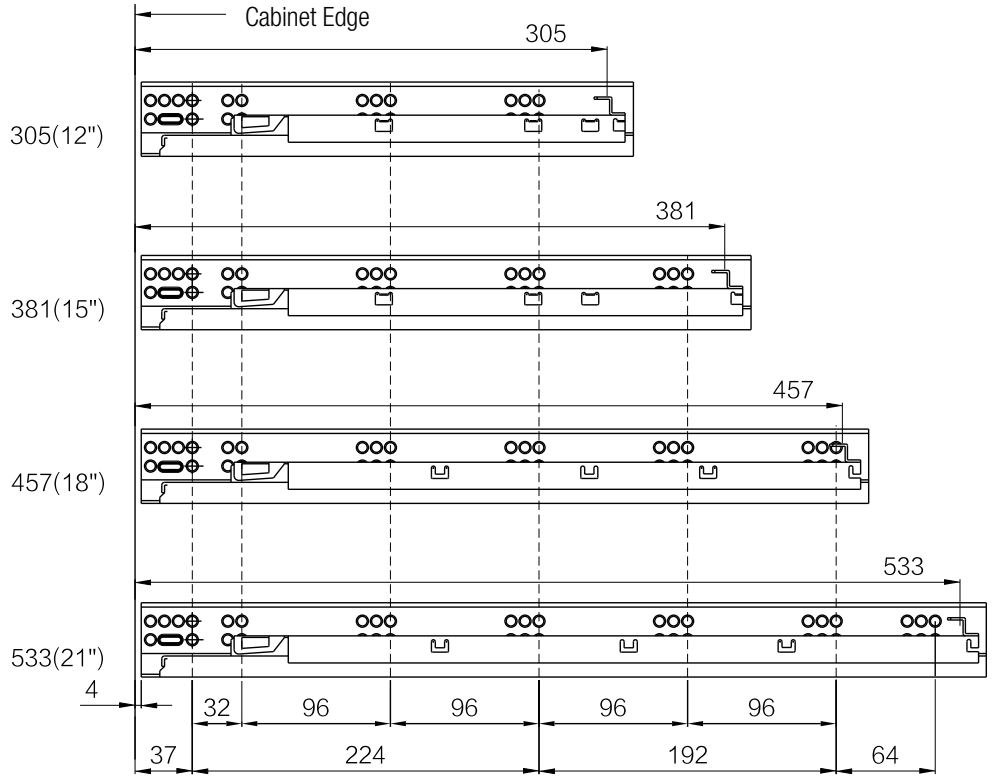
| Slide Part # | Nominal Length | Carton Quantity |
|-----------------------|---|---------------------|
| KVGS-2070AB 12 | 12" [305mm] | 6 pair |
| KVGS-2070AB 15 | 15" [381mm] | 6 pair |
| KVGS-2070AB 18 | 18" [457mm] | 6 pair |
| KVGS-2070AB 21 | 21" [533mm] | 6 pair |
| Release Lever Part # | Adjustment | Carton Quantity |
| 2070-3D-RL | Height: +3mm Side-to-Side: ± 1.5mm from center or +3mm total In/Out: +3mm | 30 pair (1 pr. bag) |
| Rear Brackets Part # | Material | Carton Quantity |
| 2070-RBMA | Metal | 60 |
| 2070-RBPA | Plastic with dowels | 60 |

RELEASE LEVER ADJUSTMENT



MOUNTING SPECIFICATIONS

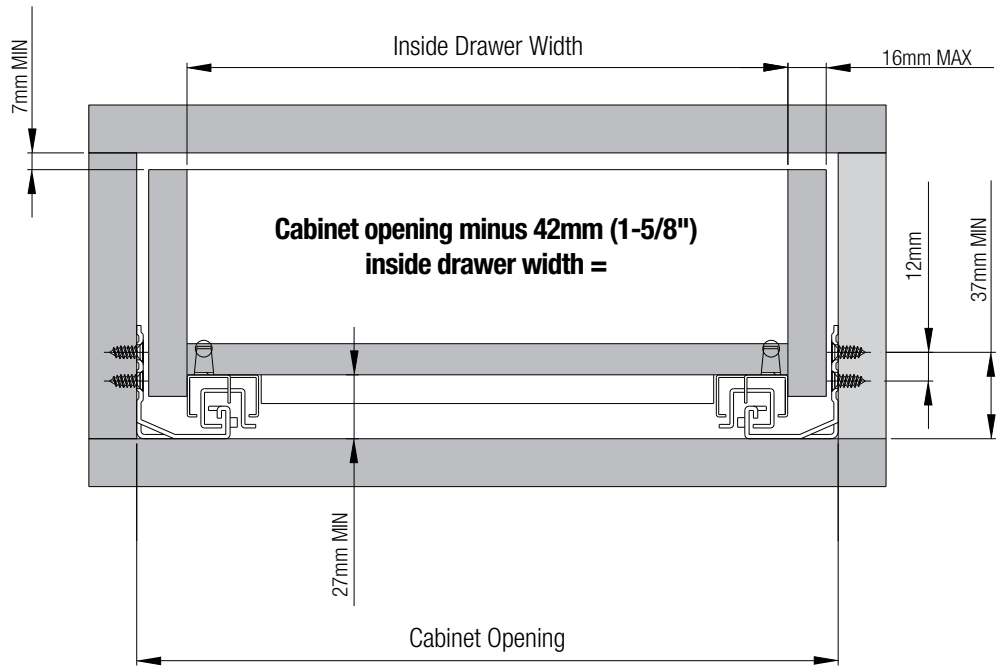
| Part # | Set Back | Drawer Length | Slide Length |
|----------------|-------------|---------------|----------------|
| KVGS-2070AB 12 | 5/32" (4mm) | 12" (305mm) | 12.72" (323mm) |
| KVGS-2070AB 15 | 5/32" (4mm) | 15" (381mm) | 15.43" (392mm) |
| KVGS-2070AB 18 | 5/32" (4mm) | 18" (457mm) | 18.43" (468mm) |
| KVGS-2070AB 21 | 5/32" (4mm) | 21" (533mm) | 21.42" (544mm) |



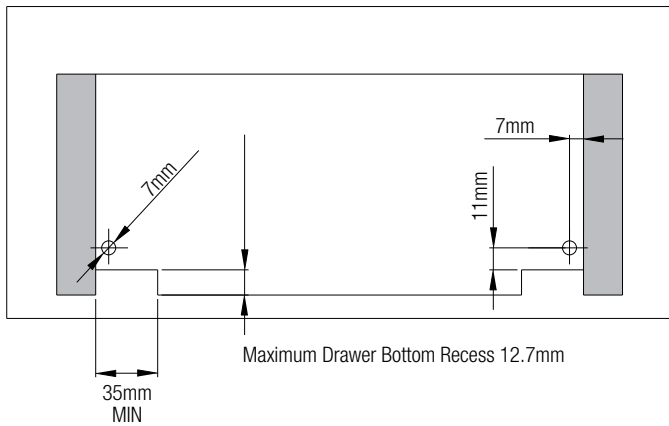
DRAWER DIMENSIONS

Outside Drawer Width Calculation

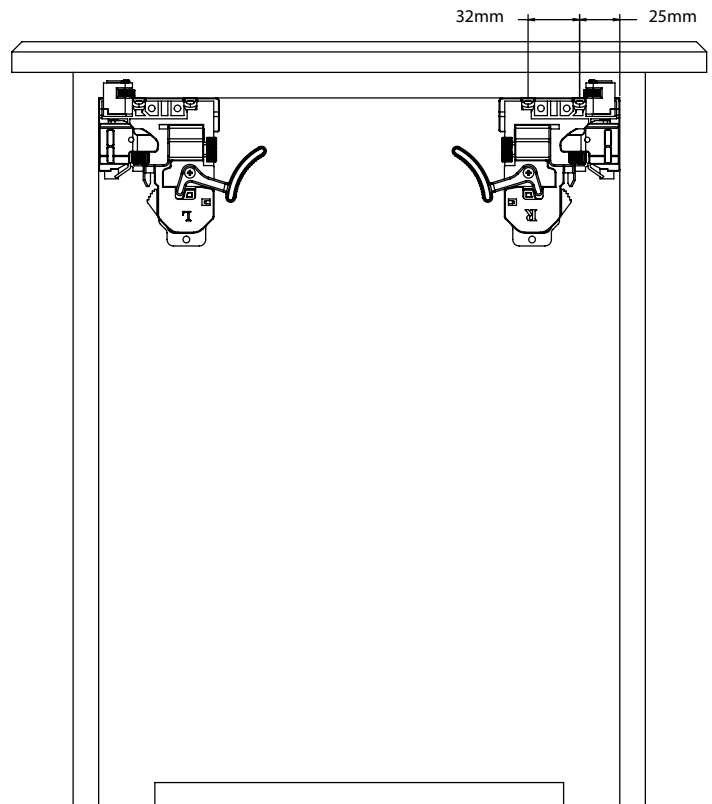
| Drawer Thickness | Deduct from Opening Width |
|------------------|---------------------------|
| 5/8" [16mm] | 3/8" [10mm] |
| 9/16" [14mm] | 9/16" [14mm] |
| 1/2" [13mm] | 5/8" [16mm] |



REAR NOTCH

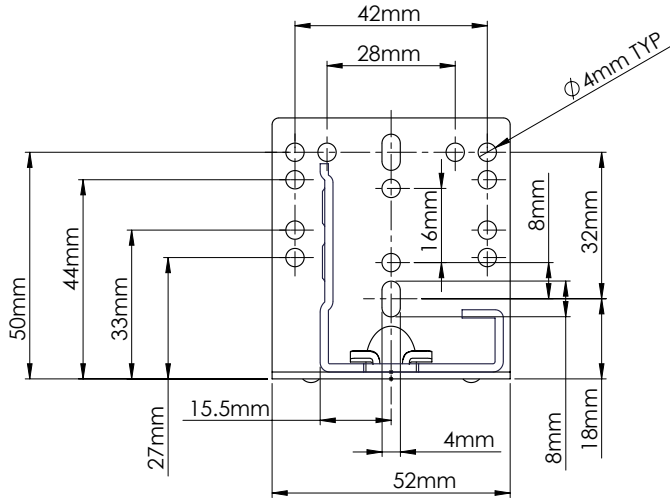


RELEASE LEVER

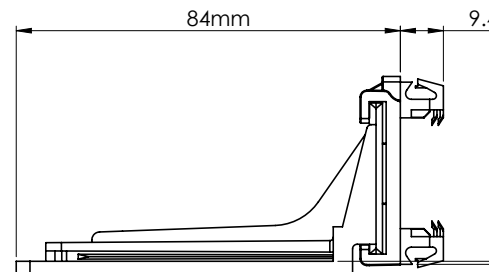
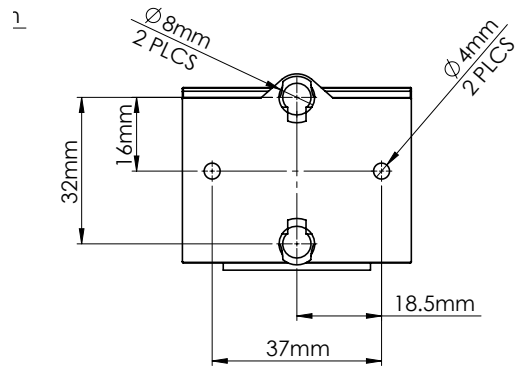
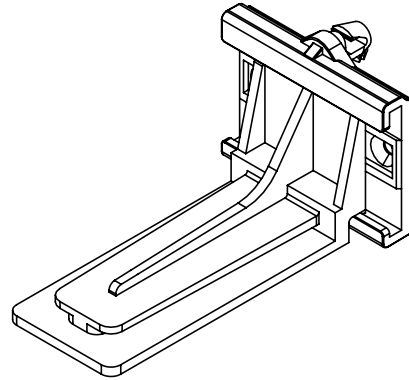


REAR BRACKETS

METAL REAR BRACKET



PLASTIC REAR BRACKET



1mm



KNAPE & VOGT

2700 Oak Industrial Drive NE Grand Rapids, MI 49505
800.253.1561 • 616.459.3311 • fax 616.459.3290 www.kv.com