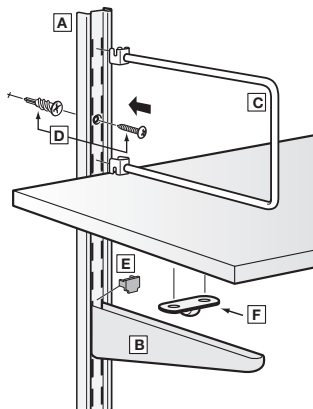


KV 82 Series Standard & 182 Series Bracket System



- A. 82 Series Wall Standard
- B. 182 Series Shelf Bracket
- C. 182 Series BE Bookend
- D. 82DP ZC Screw/Anchor
- E. 182DP LOCK Bracket Lock
- F. 182DP LCTR/JNR Shelf Locator/Joiner

1. PRODUCT NAME

82 Series Wall Standard. 182 Series Adjustable Bracket. Decorative, heavy-duty, double-track standard and bracket system.

2. MANUFACTURER

Knapé & Vogt Manufacturing Company
2700 Oak Industrial Dr. NE, Grand Rapids, MI USA 49505-6026
(616) 459-3311 | www.kv.com

3. PRODUCT DESCRIPTION

Basic Use: Heavy-duty shelving system where appearance and strength is critical. Appropriate for any institutional or residential setting requiring attractive, adjustable, strong storage. Applications include schools, hospitals, offices, libraries, retail stores, and even homes.

This is a comprehensive shelving system. Standards and brackets offered in a wide range of sizes to accommodate any storage layout. Optional accessories include: bracket locks, bookends, components to ease installation, and fasteners required to mount product.

Composition and Materials: 16-gauge cold rolled steel.

Sizes:

82 Series Standards: 1-1/16" wide x 11/16" deep x selected length.

Stock lengths: 16.5", 28", 39", 48", 63", 78", 94"

182 Series Brackets: 16-gauge cold rolled steel; used for shelf depths of 5", 7", 9", 10.5", 12.5", 14.5", 18.5", 24".

Finishes: Almond, Black or White; Titanium (powder-coat paint).

4. TECHNICAL DATA

Also see technical data located in product information sections.

Applicable Standards: Standards and brackets are tested to meet or exceed ANSI performance standards as established by BHMA in the Knapé & Vogt™ (KV) recommended application.

These load limits are intended to be used as general guidelines only, and no warranty — expressed or implied — is made by Knapé & Vogt™.

Results were obtained by laboratory testing in accordance with ANSI/ BHMA A156.9-2003 performance standard. (Load ratings based on standards being mounted on 16" centers. Wider spacing will result in reduced load capacity.) Actual use conditions will typically result in lower load capacity than laboratory conditions.

Representative testing in a fully configured application is the only way to assure proper performance, durability, and safety.

The aforementioned shelf support load limit is intended as a guide only and not as a warranty. Actual load bearing capabilities depend upon the type of cabinet/wall material and use of appropriate shelf standard mounting fasteners, installation technique, shelf standard spacing, shelf size and construction.

Environmental Considerations:

Environment: Excessive humidity, salts, or other chemical agents can corrode the finish and attack metal or plastic components.

Fastening: Inadequate or incorrect fasteners can result in the standard pulling loose and causing damage.

Alignment: Improper standard/bracket alignment can result in a shelving system that is ineffective and unsafe.

5. INSTALLATION

1. Locate the wall studs, which are generally found at 16" intervals. Position the standard (A) and mark the location of the uppermost screw hole on the wall.

Drill a 5/32" pilot hole for attaching into stud, or for attachment to drywall, drill a 5/16" pilot hole for supplied drywall anchor. Attach the standard to the wall using a screw (and anchor) (82DP SCREW ZC) (D) . Do not fully tighten.

2. Use a level to be sure the standard is perfectly vertical. Mark the position for the remaining screw holes through the standard. Drill the holes. Insert the screws (or screws and anchors) and fully tighten all screws.

3. Place a level on top of the first standard. Make sure the level is perfectly horizontal. Over the center of the next stud, mark where the top of the next standard will be mounted. Position the standard and again mark the upper screw hole. Repeat steps 1 and 2 for all remaining standards.

4. Place the brackets into the standards by placing lugs into slots of standard at the desired shelf position. Then tap bracket down so the lugs lodge into place.

NOTE: To completely anchor the bracket into the standard, place an optional bracket lock (182DP LOCK) (E) in the same standard slots holding the top lugs of the bracket after positioning bracket.

5. Place your shelf on the brackets so that the back edge of the shelf touches the standards. Stabilize shelf using bracket screws (#6 oval head tapping screws: 5" -12.5" brackets use one 1" and one 2" screw; 14" brackets use one 1" and one 3-1/8" screw; 18.5" - 24" brackets use one 1", one 2" and one 3-1/8" screw) or shelf locator/joiner (182DP LCTR/JNR) (F). Bracket screws fasten the shelf directly to the bracket. Shelf locators/joiners stabilize the shelf on the bracket, while still allowing easy removal.

Install bracket screw(s) by placing shortest screw in front hole in bottom of bracket; longer screw(s) go into remaining hole(s) in bracket bottom.

Install shelf locators/joiners by placing locator in bracket groove under shelf and attaching with screws provided.

NOTE: To secure two shelves to the same bracket, use the shelf locator/joiner (182DP LCTR/JNR).

6. Install bookend. To support books, binders, etc., snap bookends (182 BE) (C) into the standard above the shelf.

6. AVAILABILITY AND COST

Availability: Knapé & Vogt™ (KV) products are available from stocking distributors and through KV Representatives worldwide.

Cost: Current pricing is available from area KV Representatives. Please call for the nearest representative: (800) 253-1561.

7. WARRANTY

Limited Lifetime Warranty: Knapé & Vogt offers its standard Limited Lifetime Warranty to the initial purchaser of commercial products. This warranty covers defects in materials and workmanship which occur during normal use, and the remedy is limited to repair or replacement of defective products, at KV's option. Certain types of defects and damage are excluded from warranty coverage, costs and expenses are not covered, and additional restrictions apply. A copy of the Limited Lifetime Warranty, with all warranty details, limitations and disclaimers, is available on the Customer Care Connection location at www.kv.com or from KV Customer Service, 2700 Oak Industrial Drive, Grand Rapids, MI 49505, (800) 253-1561.

8. MAINTENANCE

82 Series Wall Standards and 182 Series Adjustable Brackets require no maintenance. Inspect for proper fit periodically and adjust when necessary. Replace as required or recommended by application.

9. TECHNICAL SERVICES

Knapé & Vogt™ and area representatives can assist with any application. For further information, or for the name of the representative nearest you, please call Knapé & Vogt™ Customer Service: (800) 253-1561 or visit our website at: www.kv.com.

10. FILING SYSTEMS

Additional product information, data sheets, application sheets, and a full catalog are available upon request from Knapé & Vogt™.

BHMA Knapé & Vogt shelving products follow the ANSI testing standards established by BHMA.