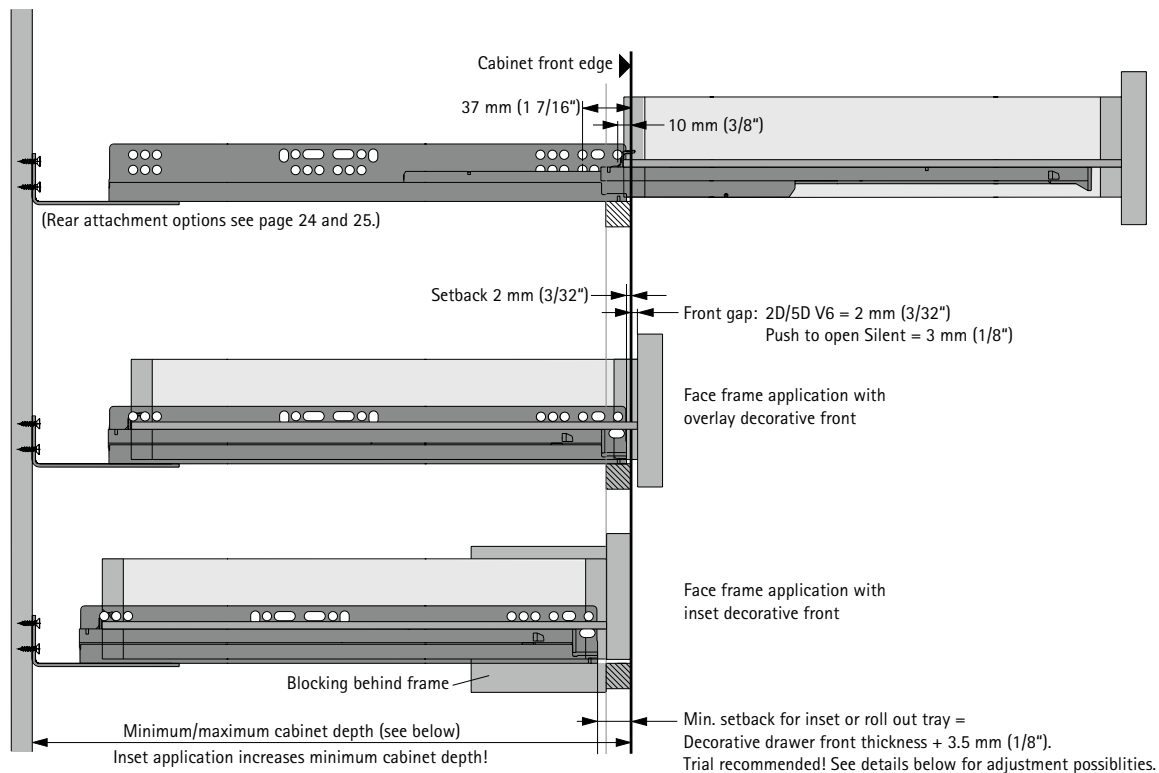


Drawer slides for wooden drawers

- ▶ **Quadro**
- ▶ **Technical information**

Mounting specifications – (Quadro 2D V6 / Quadro 5D V6, face frame application)



Minimum / maximum cabinet depth (Quadro 2D V6, face frame application)

Drawer box length		Min-Max cabinet depth with metal rear attachment		Min-Max cabinet depth with plastic rear attachment (TennTex C-307)	
mm	(inch)	mm	(inch)	mm	(inch)
229 mm	(9")	257 - 294 mm	(10 1/8" - 11 9/16")	279 - 305 mm	(11" - 12")
305 mm	(12")	333 - 370 mm	(13 1/8" - 14 9/16")	355 - 381 mm	(14" - 15")
381 mm	(15")	409 - 446 mm	(16 3/32" - 17 9/16")	431 - 457 mm	(17" - 18")
457 mm	(18")	485 - 522 mm	(19 3/32" - 20 9/16")	505 - 531 mm	(20" - 21")
533 mm	(21")	561 - 598 mm	(22 3/32" - 23 17/32")	584 - 610 mm	(23" - 24")
610 mm	(24")	no rear attachment, must be blocked out		no rear attachment, must be blocked out	

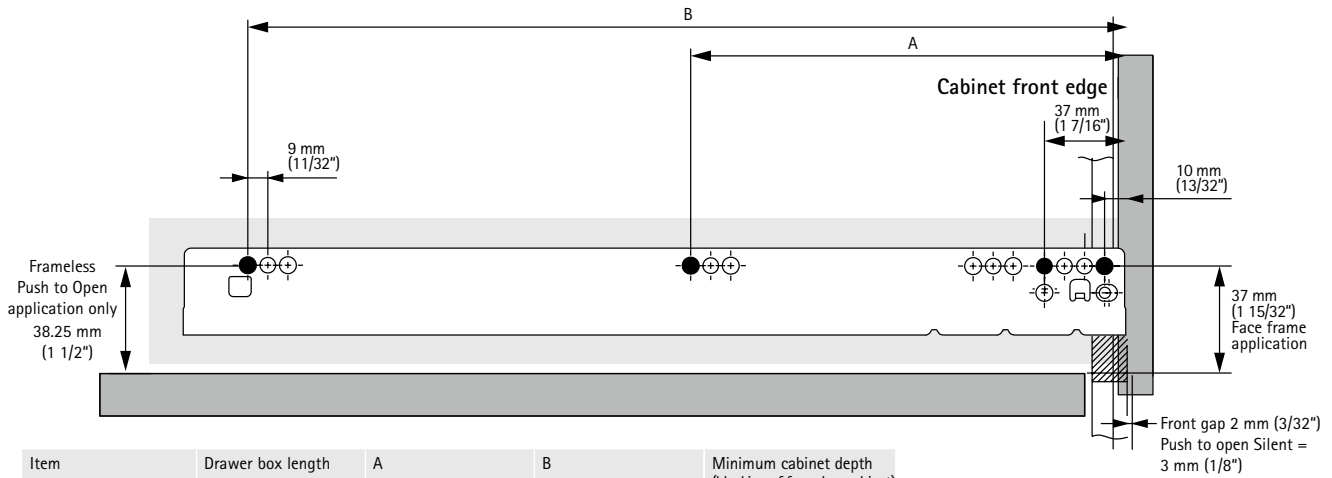
Advice

- ▶ Dimensions in millimeters (inch approximations as noted). Subject to technical modifications without notice.

Drawer slides for wooden drawers

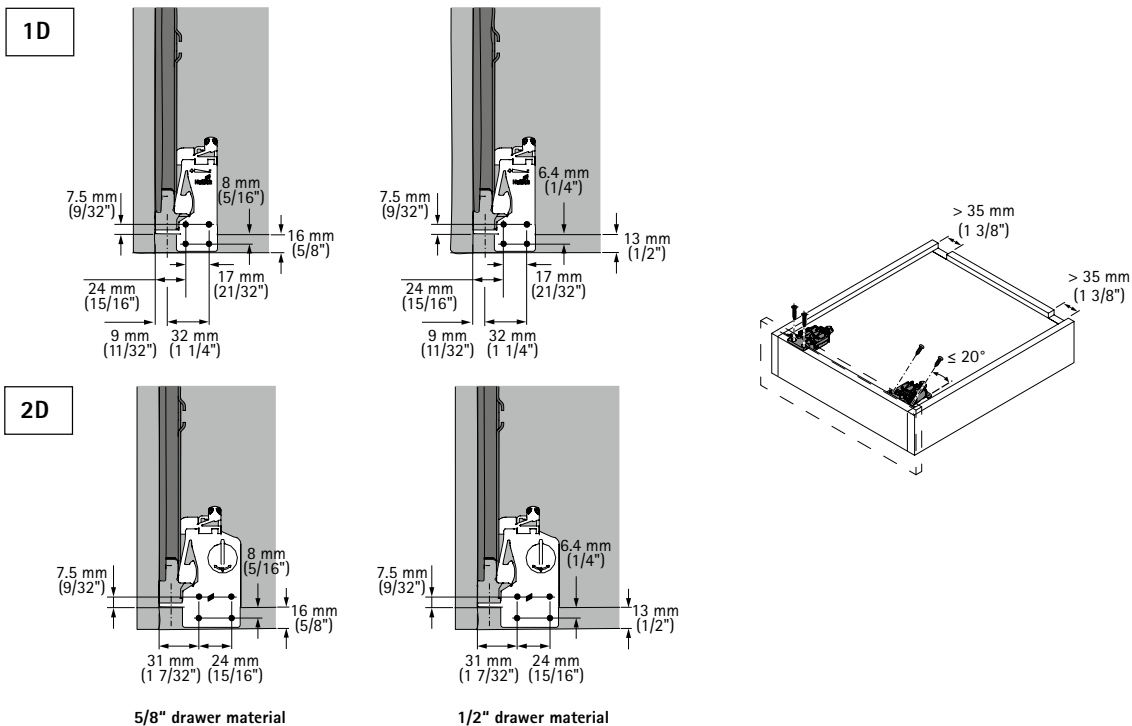
- ▶ **Quadro**
- ▶ **Technical information**

Mounting specifications – (Quadro 2D/5D V6, face frame or frameless application)



Item	Drawer box length		A		B		Minimum cabinet depth (blocking of frameless cabinet) mm (inch)
	mm	(inch)	mm	(inch)	mm	(inch)	
Quadro 2D V6	229	(9")	133	(5 1/4")	229	(9")	242,5 (9 17/32")
Quadro 2D V6	305	(12")	165	(6 1/2")	261	(10 9/32")	318,5 (12 17/32")
Quadro 2D V6	381	(15")	165	(6 1/2")	357	(14 1/16")	395 (15 17/32")
Quadro 2D V6	457	(18")	261	(10 9/32")	453	(17 27/32")	471 (18 17/32")
Quadro 2D V6	533	(21")	261	(10 9/32")	517	(20 11/32")	547 (21 17/32")
Quadro 2D V6	610	(24")	261	(10 9/32")	453	(17 13/16")	623,5 (24 17/32")

Catches for wooden drawers (Quadro 2D/5D V6 full extension)



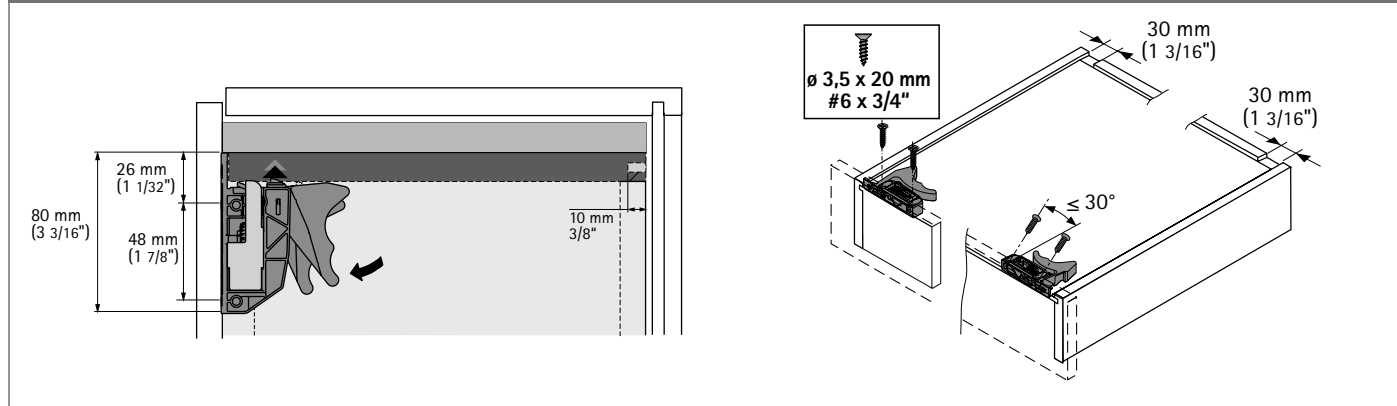
Advice

- ▶ Dimensions in millimeters (inch approximations as noted). Subject to technical modifications without notice.

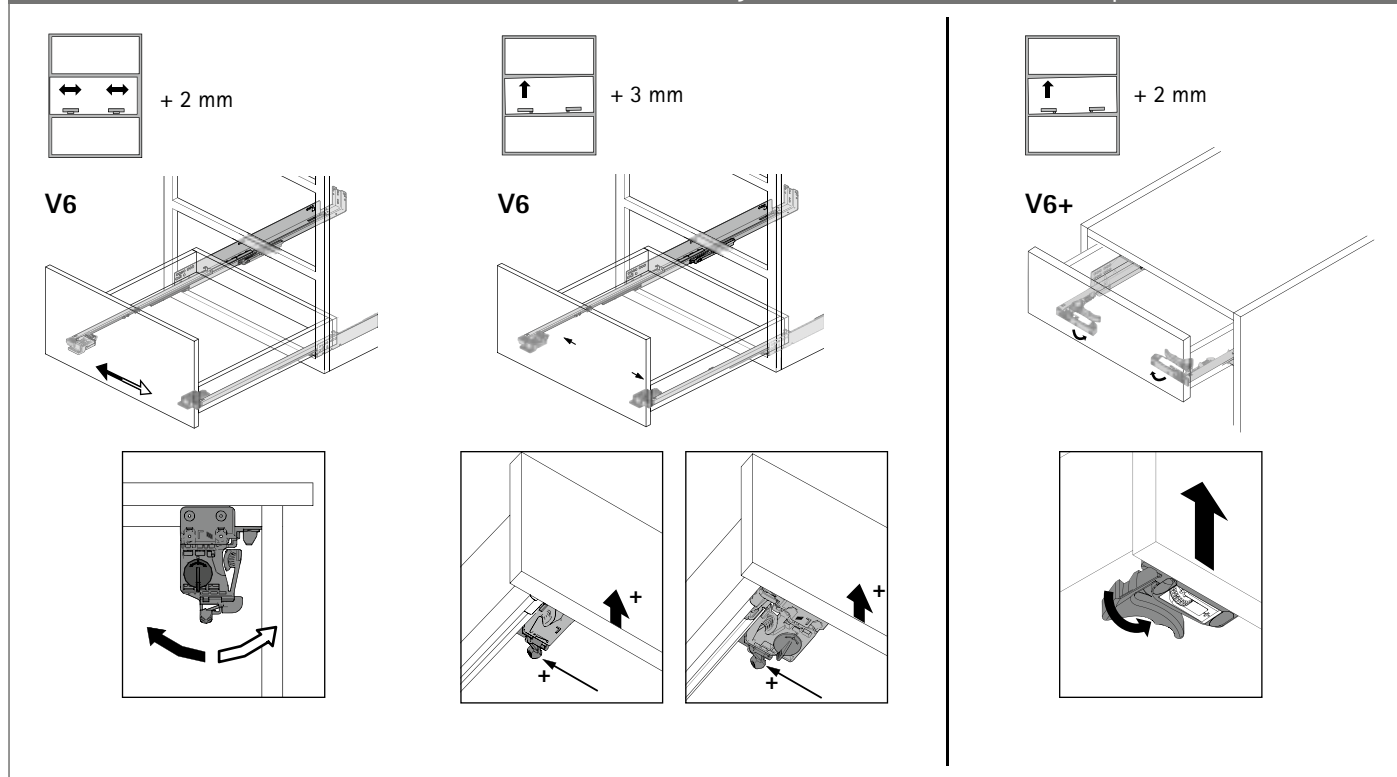
Drawer slides for wooden drawers

- ▶ **Quadro**
- ▶ **Technical information**

Catches for wooden drawers (Quadro V6+ full extension)



Quadro 2D/5D V6 / Quadro V6+ full extension runner: adjustment of the drawer front panel



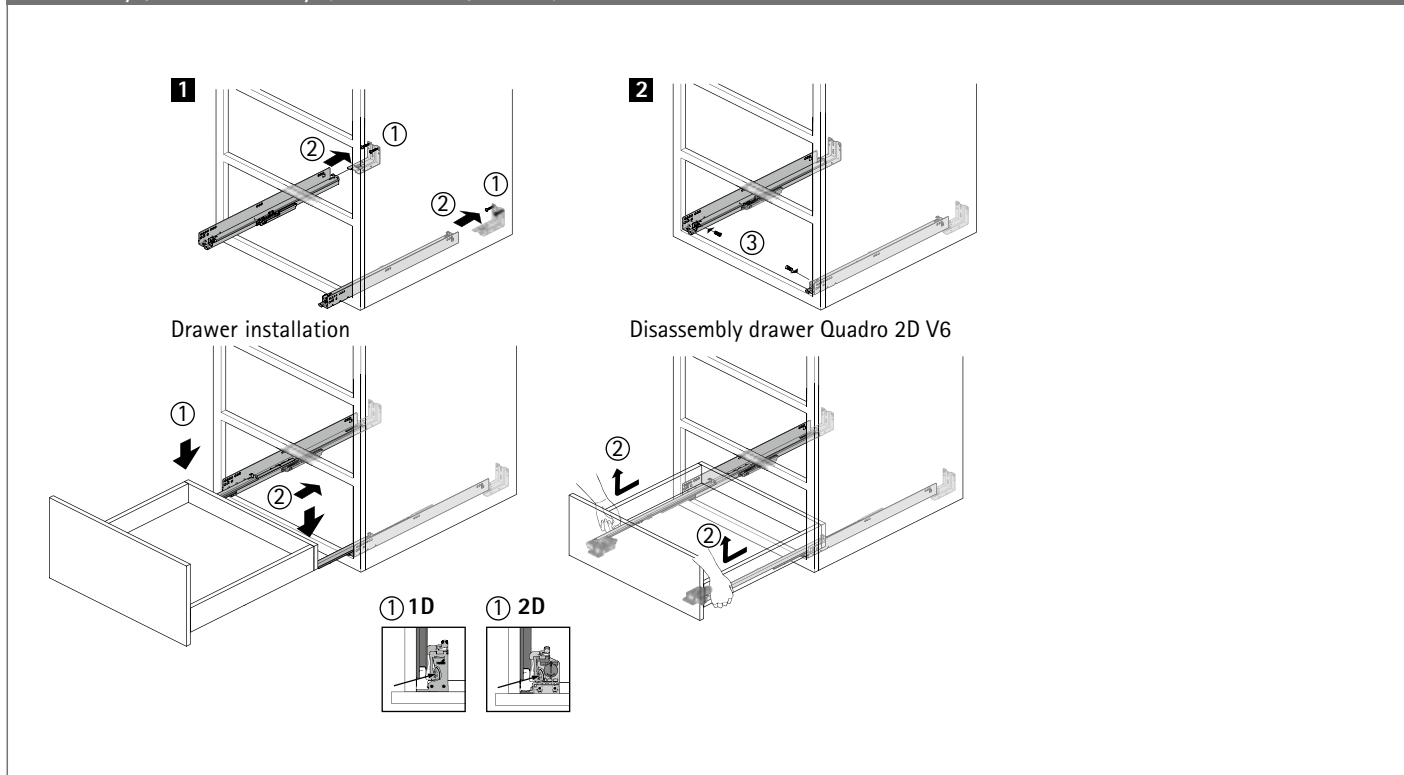
Advice

- ▶ Dimensions in millimeters (inch approximations as noted). Subject to technical modifications without notice.

Drawer slides for wooden drawers

- ▶ **Quadro**
- ▶ **Technical information**

Assembly / Disassembly (Quadro 2D/5D V6)



Advice

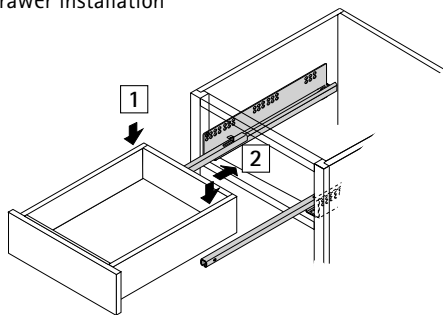
- ▶ Dimensions in millimeters (inch approximations as noted). Subject to technical modifications without notice.

Drawer slides for wooden drawers

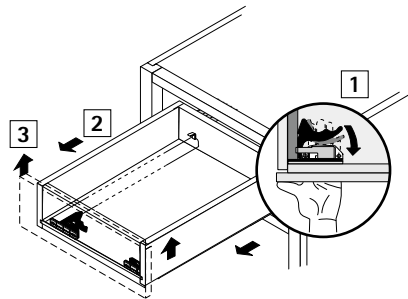
- ▶ **Quadro**
- ▶ **Technical information**

Assembly / Disassembly (Quadro V6+)

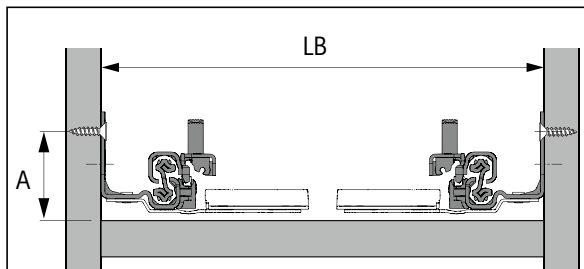
Drawer installation



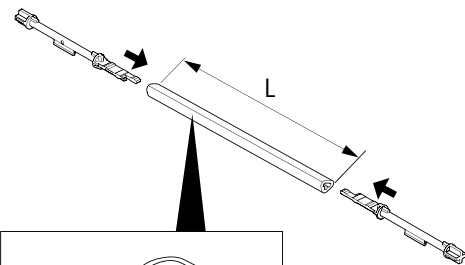
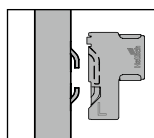
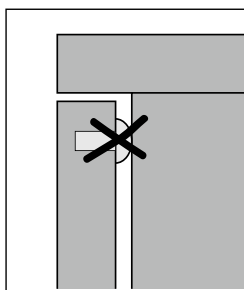
Disassembly drawer Quadro V6+



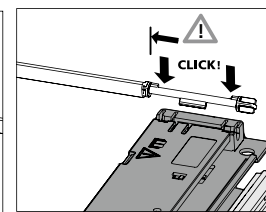
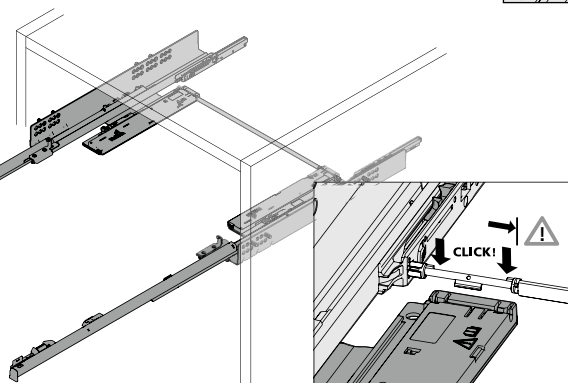
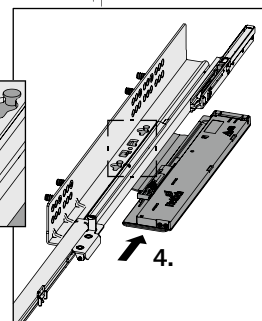
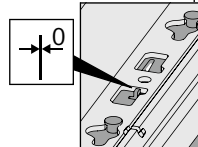
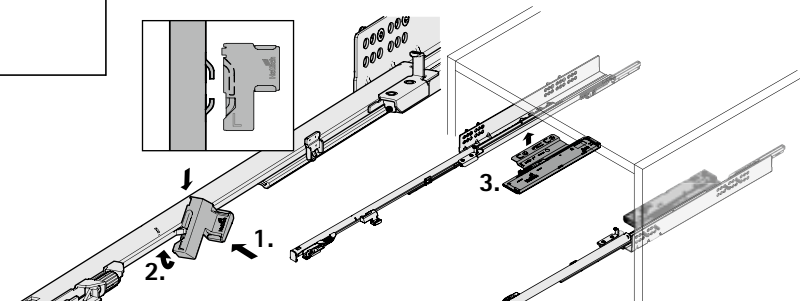
Push to open Silent (Quadro 2D V6 and Quadro 5D V6 with Silent System)



$A \geq 37$ = QV6 2D faceframe
 $A \geq 38.25$ = QV6 2D frameless / QV6 4D



$L = LB - 201$



Advice

- ▶ Dimensions in millimeters (inch approximations as noted). Subject to technical modifications without notice.

Drawer slides for wooden drawers

- ▶ **Technical Information**
- ▶ **Legal Notice**

Application

Hettich slides are suitable for use in living room and kitchen cabinets both in the home and business environment (face frame and frameless construction).

Load capacity and over-extension guard

The load capacity ANSI/BHMA 156.9, grade 1 stated in the catalogue is understood to mean the weight of the drawer itself including contents.

All Hettich slides feature guards to prevent the drawer from rolling out and being removed unintentionally and meet the requirements of the impact test in a test frame to ANSI/BHMA 156.9, grade 1.

Fitted in the proper manner, the slides featured in this catalogue are suitable for cabinet demands as described by K.C.M.A.

Corrosion test

Hettich slide systems satisfy the requirements on corrosion defined in DIN EN 15338, 72-hour condensation-water test to DIN EN 6270.

Material specification

Zinc-plated steel slide with permanently lubricated synthetic ball bearing races, hardened steel balls; spring loaded self-closing mechanism/non-fluid damping mechanism; zinc-plated steel or synthetic rear bracket; synthetic front fixing clip.

General technical conditions

The fitting instructions, screw-fixing points and loading information specified in this catalogue assume proper attachment in a cabinet material providing a screw pull-out resistance of > 1,000 N in accordance with DIN EN 320. Hettich accepts no responsibility for the use of materials or fastening methods other than those stated. If other materials or methods of attachment are used, the cabinet manufacturer is required to verify the system's load-bearing capacity.

General terms of sale and delivery:

All products and services will be provided exclusively on the basis of our General Terms of Sale and Delivery published on our website at www.hettich-agb.com.

Legal Notice

© Hettich Marketing- und Vertriebs GmbH & Co. KG
32278 Kirchlengen · Germany
January 2025

We reserve all rights to this catalogue under copyright law. It shall not be permissible to duplicate this catalogue in any form either in whole or in part without our written consent. Subject to technical alterations. Errors and omissions excepted. Subject to colour variations.



www.hettich.com

Hettich America, L.P.
4295 Hamilton Mill Road
Suite 400
Buford, GA 30518
Phone: 1-800-438-8424
Fax: 1-800-627-5152
info@hettichamerica.net

Order no.: 9 308 943
1903-039-QUADRO-01/25-HUS/en

