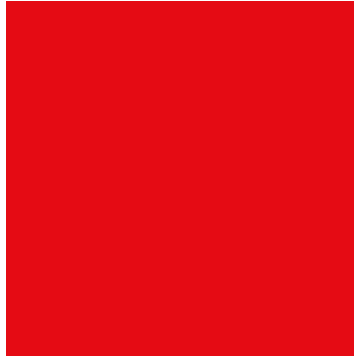


# FR68-LED

NEW

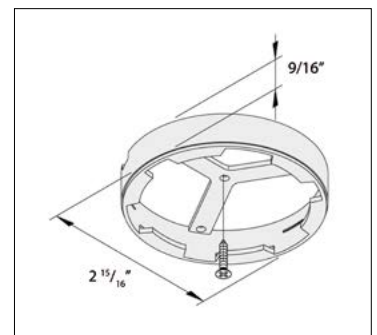
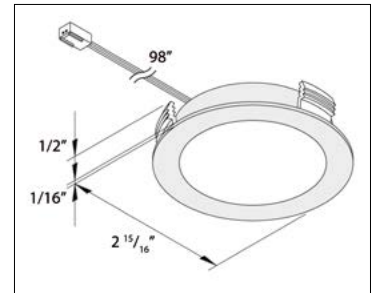


## Flat, Recessed LED Spotlight

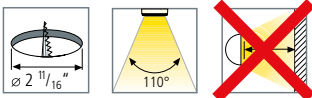
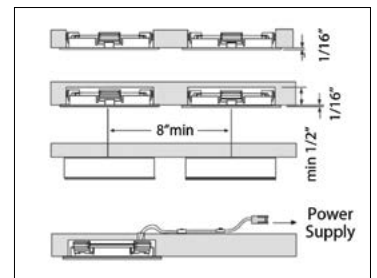
The FR68-LED is a brand new LED spotlight with a frosted lens that helps reduce glare and eliminates diode dots. It is the same price as the SR68-LED and has a 68mm mounting hole, which is the same as the ARF-LED. The FR68-LED has a luminous efficacy of 57 lm/W.

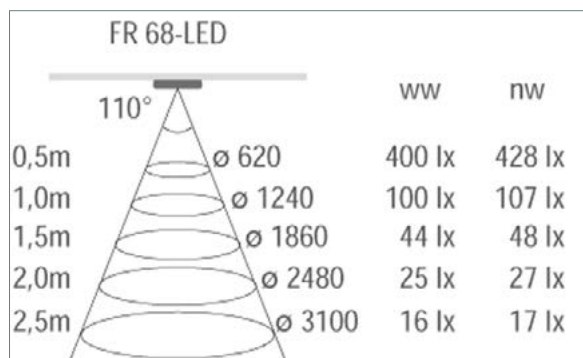
## Product-Features

- Energy efficient using only 4 W
- Stocked in 3000K and 4100K
- Available from 2700K to 6500K by special order
- Stainless steel or Matte Chrome finish
- 50,000 hours useable life
- Good color rendering >85
- Attached 98" connecting cable with plug-in connector
- To be used with 24 Vdc LED driver
- Surface mounting ring available separately
- Dimmable with optional accessories



Surface mount ring





## What you'll need to buy

### Spotlights

#### FR68-LED

Finish	Lumens	3000K
Stainless Steel	230	FR68/SS/3000
Matte Chrome	230	FR68/MC/3000

Finish	Lumens	4000K
Stainless Steel	230	FR68/SS/4000
Matte Chrome	230	FR68/MC/4000

### LED Power Supply (see page 60)

Description	Code No.
Constant Voltage Driver 6 Watt	STICKPS24/6WATT
Constant Voltage Driver 30 Watt	STICKPS24/30HE
Constant Voltage Driver 75 Watt	STICKPS24/75
Constant Voltage Driver 96 Watt	STICKPS24/96/DIM

### Cables and Connectors

Description	Code No.
Power Cable Extension 39"	KB12LEDCC39
Power Cable Extension 98"	KB12LEDCC98
Terminal Block	STICKTB

### Optional Accessories (see page 63-65)

Description	Code No.
Surface Mount Ring, Stainless Steel	DIR68/SS
Surface Mount Ring, Matte Chrome	DIR68/MC
Dimmer	STICKPSDIM
Dimmer Controller	DIMCONTROL
Motion-Activated Infrared Switch	IRSWITCH
Remote Control Dimmer	RCPSDIM
Rocker Switch	SWITCH/PS24