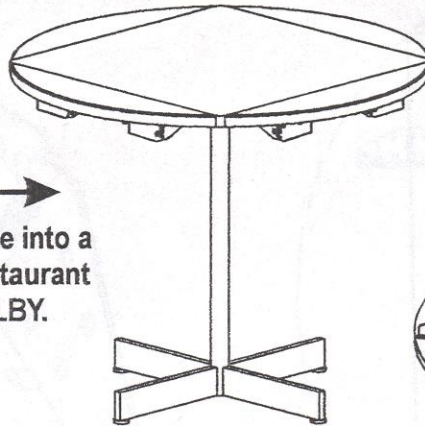
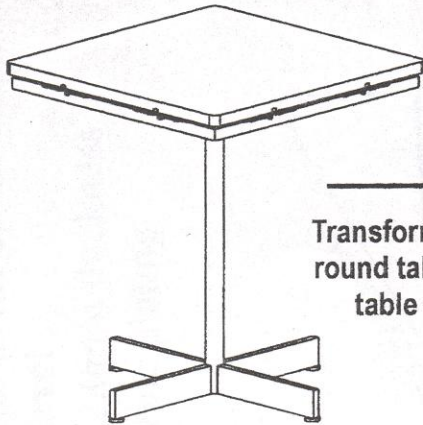
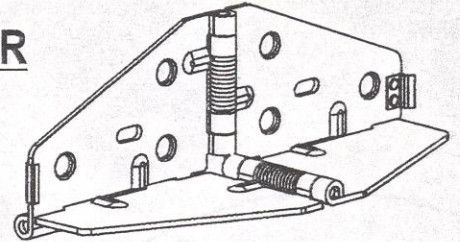
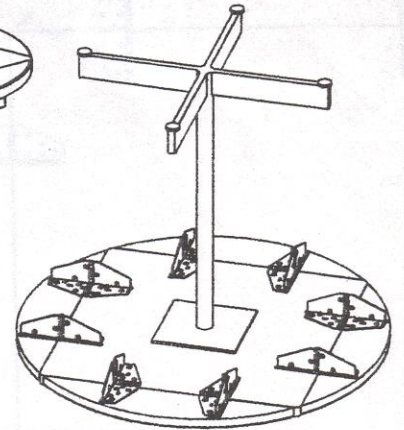




**INSTALLATION INSTRUCTIONS FOR
RESTAURANT TABLE HINGE
[PART # H899P]**

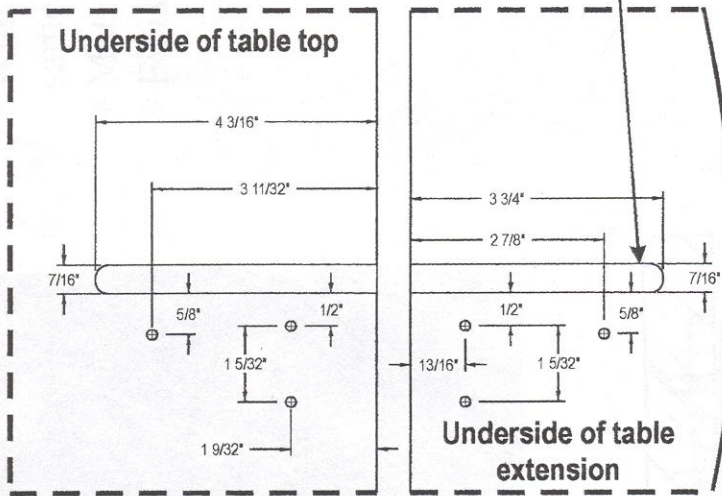


Transform a square table into a round table with the restaurant table hinge from SELBY.



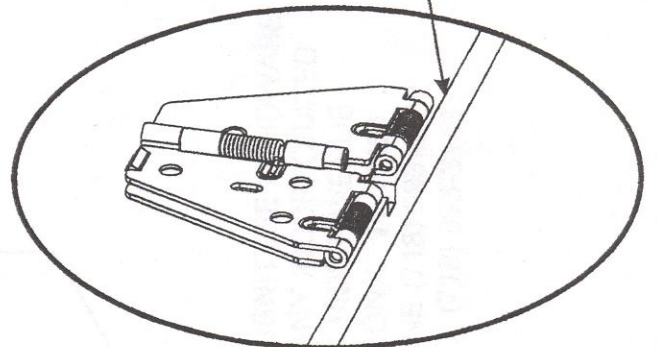
1 HOLE LOCATIONS AND GROOVE DIMENSIONS: [BOTTOM VIEW]

Depth of grooves should be $11/32''$



IMPORTANT NOTE:

Align hinge with the edge of the table top



Underside of table extension

2 SECURING HINGE

Secure in place with screws

Place hinge such that the knuckle is sitting in the grooves

Underside of table top

