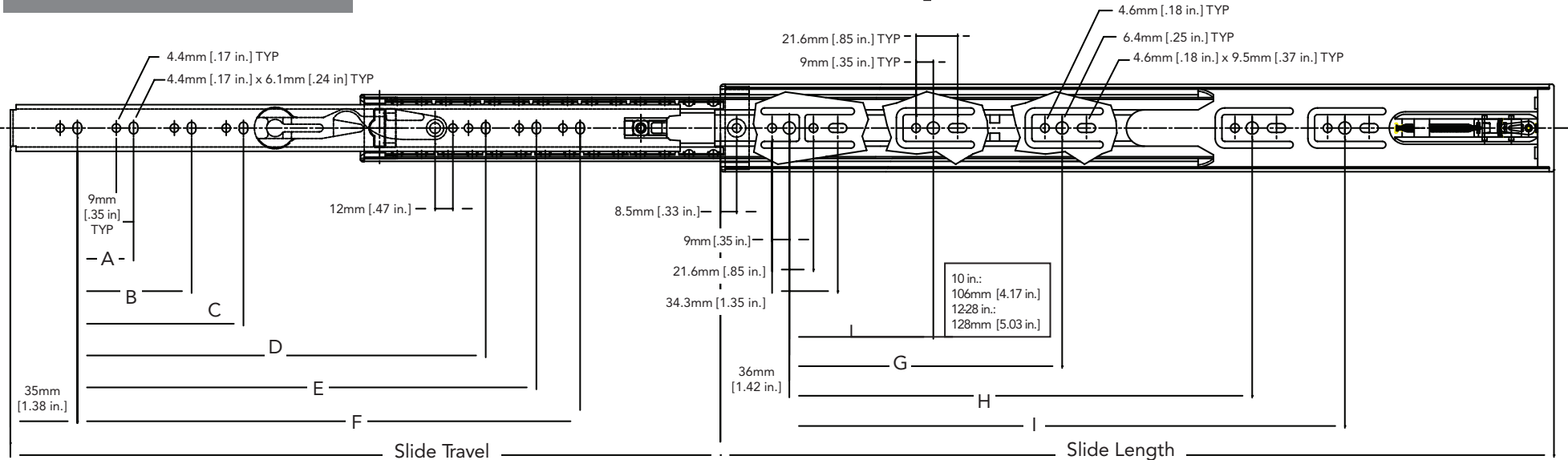


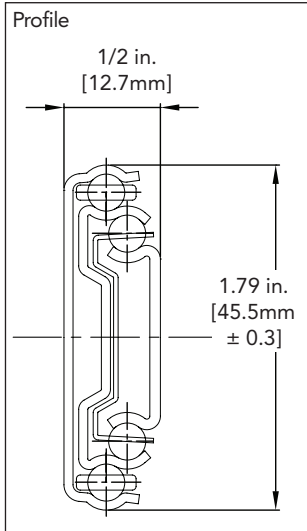
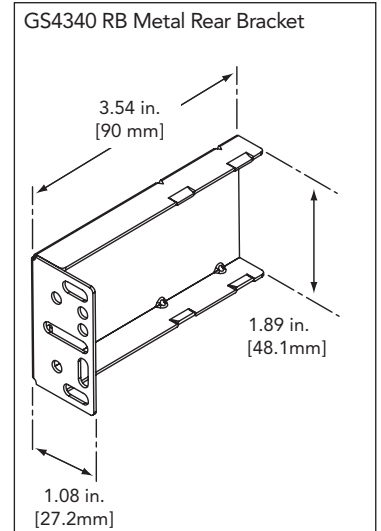


GS4260 Push-Open Drawer Slide



Part Number	Size	Slide Length	Slide Travel	A	B	C	D	E	F	G	H	I
GS4260 10	10"	250mm [9.84 in.]	238mm [9.37 in.]	—	—	—	—	—	156mm [6.14 in.]	—	—	—
GS4260 12	12"	300mm [11.8 in.]	305mm [12.00 in.]	—	—	—	—	—	200mm [7.87 in.]	—	—	—
GS4260 14	14"	350mm [13.78 in.]	356mm [14.0 in.]	96mm [3.78 in.]	—	—	—	—	256mm [10.08 in.]	192mm [7.56 in.]	—	—
GS4260 16	16"	400mm [15.75 in.]	406mm [15.98 in.]	128mm [5.04 in.]	—	—	—	—	294mm [11.57 in.]	224mm [8.82 in.]	—	—
GS4260 18	18"	450mm [17.72 in.]	457mm [17.99 in.]	96mm [3.78 in.]	160mm [6.29 in.]	—	—	—	344mm [13.54 in.]	288mm [11.34 in.]	—	—
GS4260 20	20"	500mm [19.69 in.]	508mm [20.00 in.]	96mm [3.78 in.]	160mm [6.29 in.]	352mm [13.86 in.]	—	—	394mm [15.51 in.]	224mm [8.82 in.]	352mm [13.86 in.]	—
GS4260 22	22"	550mm [21.65 in.]	559mm [22.00 in.]	128mm [5.04 in.]	192mm [7.56 in.]	384mm [15.11 in.]	—	—	444mm [17.48 in.]	224mm [8.82 in.]	352mm [13.86 in.]	—
GS4260 24	24"	600mm [23.62 in.]	610mm [24.00 in.]	128mm [5.04 in.]	224mm [8.82 in.]	416mm [16.38 in.]	—	—	494mm [19.45 in.]	224mm [8.82 in.]	352mm [13.86 in.]	448mm [17.64 in.]
GS4260 26	26"	650mm [25.59 in.]	660mm [25.79 in.]	128mm [5.04 in.]	224mm [8.82 in.]	416mm [16.38 in.]	480mm [18.90 in.]	—	544mm [21.42 in.]	224mm [8.82 in.]	352mm [13.86 in.]	480mm [18.90 in.]
GS4260 28	28"	700mm [27.55 in.]	711mm [27.99 in.]	128mm [5.04 in.]	224mm [8.82 in.]	288mm [11.33 in.]	480mm [18.90 in.]	544mm [21.42 in.]	594mm [23.39 in.]	224mm [8.82 in.]	352mm [13.86 in.]	544mm [21.42 in.]

Product: GS4260 Push-Open Drawer Slide
Mounting: Side
Clearance: 1/2 in. [12.7mm +.8mm minus 0]
Load Class: 100 lb.
Height: 1.79 in. [45.5mm (±0.3)]
Finish: Zinc Plated
Action: Full Extension (sizes: 12" - 28")
Sizes: 10" [250mm], 12" [300mm], .. 14" [350mm], 16" [400mm], .. 18" [450mm], 20" [500mm], .. 22" [550mm], 24" [600mm], .. 26" [650mm], 28" [700mm]
Packaging: 10 Pair and 1 set of instructions per box. Mounting hardware not included. Slides are non-handed.
Optional Brackets: GS4340 RB Metal Rear Bracket Packed 200 pieces per box



Inset Drawer

Push in 2 mm and release to activate push-to-open mechanism.

Overlay Drawer

Allow a minimum of 4mm ±.5mm clearance between drawer front and cabinet to provide enough space to activate push-to-open mechanism.