



FVB-1521 Installer Instructions

Tools Needed

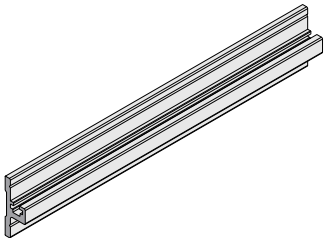
Measuring tape
Laser level (optional)
Level
Stud finder

Pencil
Cordless impact driver
Phillips drive bit
6" T30 torx drive bit

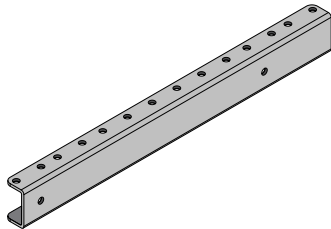
Phillips screwdriver
T30 torx screwdriver
Cordless drill
5/16" drill bit

Parts Included

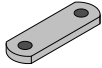
(2) Rails



(1) Center Brace



(5) Channel Nuts



(4) Structural Screws



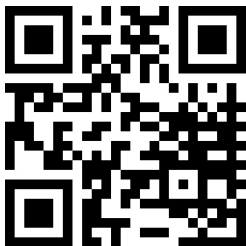
(10) 1/2" Bolts



(24) 1/2" Screws



(1) 2" Stud Rail



Discover more products by visiting us online. Just scan this **QR code** or visit **www.innovashelf.com** to find inspiration photos, bracket specs, other products, and information about purchasing more brackets or buying wholesale.

Installation Instructions

The Floating Vanity Bracket System utilizes a modular design to accommodate a variety of applications. The installation method for this system will vary based on your application and cabinet size. Please read all the directions carefully before beginning the installation process.

Step 1: Verify that the bracket arms have been installed inside the vanity cabinet. If they have not, open the shop kit and follow those instructions before continuing.

Step 2: To assemble the Rail:

A. Loosely attach two channel nuts on each end of the center brace by inserting 1/2" bolts through each of the four outer holes on each end of the center brace. Position the channel nuts inside the center brace with the bulges down. Repeat for any additional center braces.

B. Slide an extrusion onto the channel nuts on each end of the center brace. If you have more than one center brace, slide the second brace onto the open end of one of the rails, and slide the third rail into the second brace. If you're using a center bracket, slide a channel nut onto the center rail before sliding into the braces.

C. The overall width of the rail assembly should be 1/4" less than the overall inside width of the vanity cabinet (unless one of the below exceptions applies). To set the width, place the rail assembly inside the vanity cabinet and slide the extrusions tight against the cabinet ends. Center the brace(s) so they overlap both rails equally. Retract both rails approximately 1/8" from the ends of the vanity, and tighten all the bolts securing the rails to the center brace(s).

Exemption for minimum widths: If you are using the system at its minimum width, compress it until the rails are touching at the middle, center the brace, and tighten the bolts.

Exemption for maximum widths: If you are using the system at its maximum width, the overall width should be set at 1-1/4" less than the overall inside width of the vanity cabinet.

Step 3: To mark vanity installation location:

A. Draw a horizontal line on the wall where the top of the vanity cabinet will be located.

B. Draw vertical lines on the wall where the ends of the vanity cabinet will be located.

C. Use a stud finder to locate wall studs between the vertical marks. After locating the studs, it is important to find the center of the studs for maximum strength. To find the center, either use a stud finder or use a drill with a 1/8" drill bit to drill holes to the left and right of the stud until you find the edges. Use a pencil to draw a vertical line in the center of each stud up 1" from the horizontal line.

Step 4: To mount the rail assembly:

A. Copy the stud center locations to the rail assembly using one of the following methods;

Hold the rail assembly against the wall and mark the locations on the rail assembly.

Measure and mark the center point of the rail assembly. Measure between the two vertical lines on the wall and mark the center point on the wall with a vertical line. Measure the distance from this center vertical line to each of the stud centers, measuring and marking each center of the rail assembly.

B. Set the rail assembly on a surface suitable for drilling. Using a 5/16" drill bit, drill a hole aligned with each of your marks through the v-groove on the top half of the rail. Drill another hole aligned vertically with the first hole 7/16" up from the bottom of the rail.

C. Once all the holes are drilled (two per stud), orient the rail with the slot opening toward the top, hold it up to the wall, align the holes with the stud center locations, align the top edge with the horizontal vanity placement line, and secure the rail assembly to the wall by driving a structural screw through the top holes using the impact with the T30 drive bit. Follow with structural screws through the lower holes. (Depending on the location of the studs, you may need to loosen the center brace and slide it out of the way to access the lower holes. When all of the structural screws are installed, center the brace(s) so they overlap both rails equally and retighten the bolts.)

D. If one of the mounting studs is located between the rails and you are unable to secure the system through the end rails follow the directions for the 2" stud rail.

Installation Instructions

The following instructions are for the optional 2" stud rail. If not applicable, skip to **Step 6**.

Step 5: To mount the 2" stud rail:

A. Drill a hole in the center of the rail through the v-groove on the top of the stud rail using a 5/16" drill bit. Drill another hole aligned vertically with the first hole 7/16" up from the bottom of the stud rail. Orient the stud rail with the slot opening toward the top, hold it up to the wall, align the holes with the stud center location, align the top edge with the horizontal vanity placement line, and secure it by driving a structural screw through the top hole using the impact with the T30 drive bit. Follow with a structural screw through the lower hole. Slide a channel nut inside the stud rail slot and pick up two 1/2" bolts.

B. Orient the rail assembly with the slot opening toward the top, hold it up to the wall, align the ends with the vertical vanity placement lines, and align the top edge with the horizontal vanity placement line. Check the holes in the center brace against the holes in the channel nut and adjust the rail assembly until the holes in the center align with the holes in the channel nut. Loosely thread the two 1/2" bolts you picked up in the previous step into the channel nut in the stud rail. Center the channel nut in the stud rail and tighten. Loosen the bolts securing the center brace to each end rail and adjust the rails until they are the appropriate distance from the vertical vanity placement lines.

Vanity Cabinet Side Thickness	Minimum distance from vertical vanity placement lines	Maximum distance from vertical vanity placement lines
1/2"	5/8"	1-1/8"
3/4"	7/8"	1-3/8"

Step 6: To install the vanity:

A. Slightly loosen all of the screws securing the brackets to the vanity. Slide the brackets as far back as possible (out the back of the vanity cabinet) and tighten one screw on each bracket.

B. Lift vanity and hook it by the brackets onto the rail assembly and allow the vanity to hang from the rail assembly.

C. Slide one channel nut (bulges down) into each end of the rail assembly until it touches the tab on the bracket. Secure the bracket to the rail with four 1/2" bolts (two per side).

D. Loosen the screws previously tightened on both brackets and push the vanity tight against the wall and secure by tightening all three existing screws in each bracket. Follow by inserting screws in all of the holes in each bracket (nine for FVB-1521, eleven for all other sizes).

The following instructions are for the optional reinforcement. If your vanity does not require this, the following instructions do not apply.

Step 7. To add the optional reinforcement:

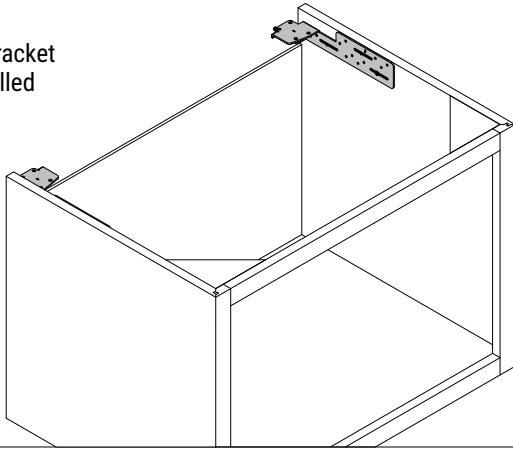
A. Loosen all of the bolts securing the center brace to the rails. On the end you will be attaching the reinforcement, remove the second bolt from the end. Align the first hole on narrow end of the extension with the holes on the brace and channel nut and reinsert the bolt.

B. Remove the bolt on the end of the rail, pivot the extension to align the end hole, and reinsert the bolt.

C. Slide the brace/extension assembly until the holes on the extension are aligned with the holes on the bracket. The extension should be above the arm. Hold a channel nut with the bulges down on the bottom of the bracket, align with the holes on the extension and the bracket, and secure with two 1/2" bolts. Re-tighten all of the 1/2" bolts securing the center brace to the rails.

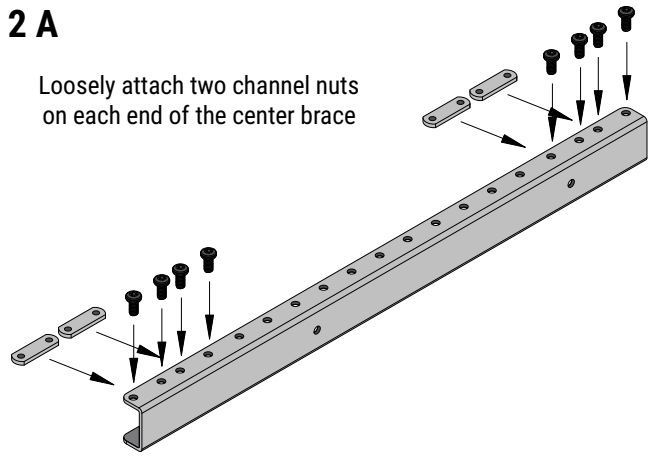
1

Verify that the bracket arms are installed



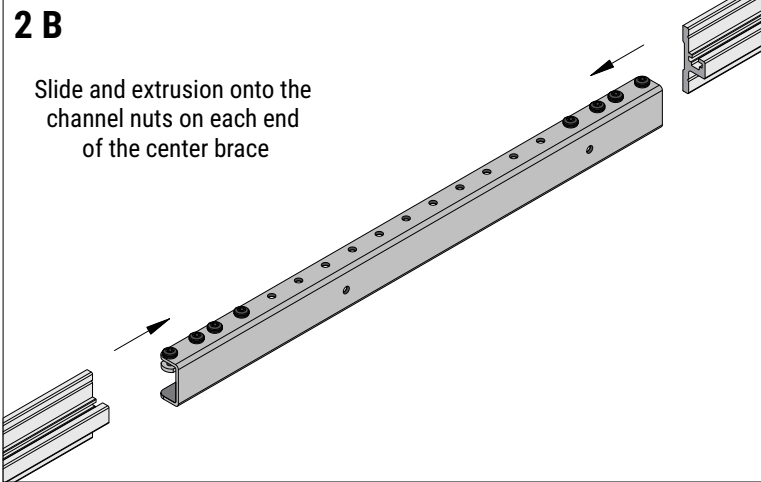
2 A

Loosely attach two channel nuts on each end of the center brace



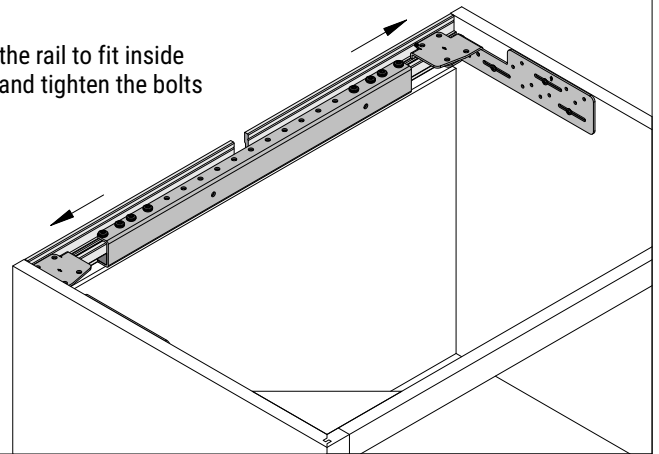
2 B

Slide and extrusion onto the channel nuts on each end of the center brace



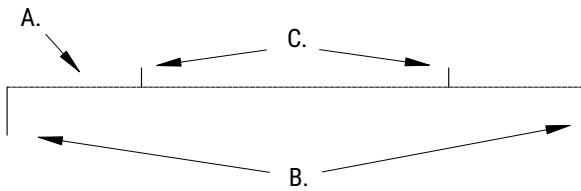
2 C

Size the rail to fit inside vanity and tighten the bolts



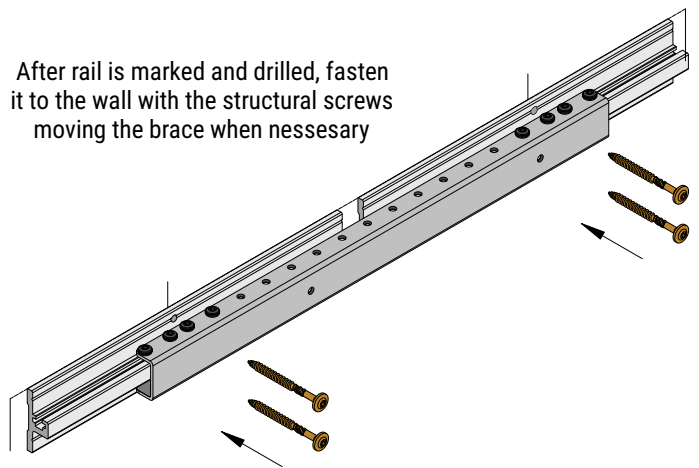
3

- A. Draw a horizontal line to mark the top of the vanity
- B. Draw vertical lines to mark the sides of the vanity
- C. Mark stud location



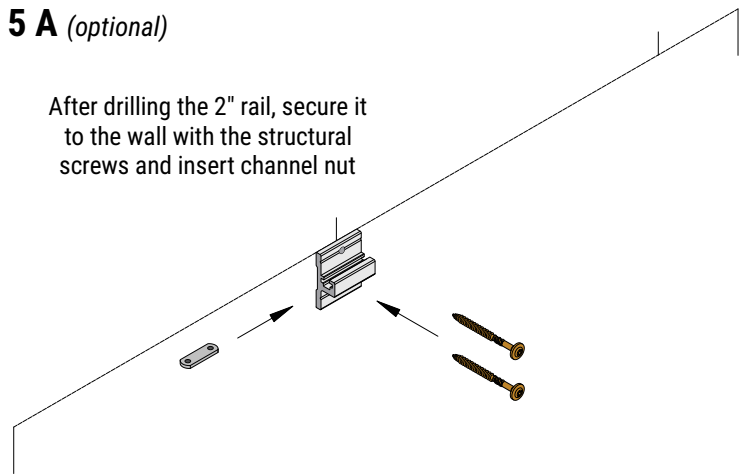
4

After rail is marked and drilled, fasten it to the wall with the structural screws moving the brace when necessary



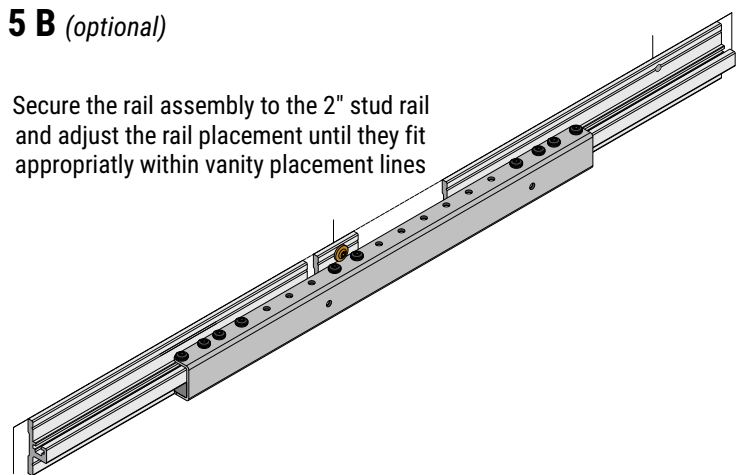
5 A (optional)

After drilling the 2" rail, secure it to the wall with the structural screws and insert channel nut



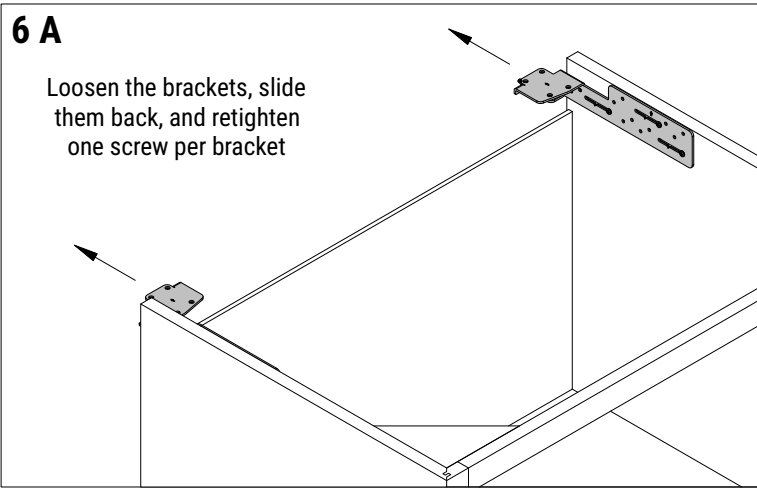
5 B (optional)

Secure the rail assembly to the 2" stud rail and adjust the rail placement until they fit appropriately within vanity placement lines

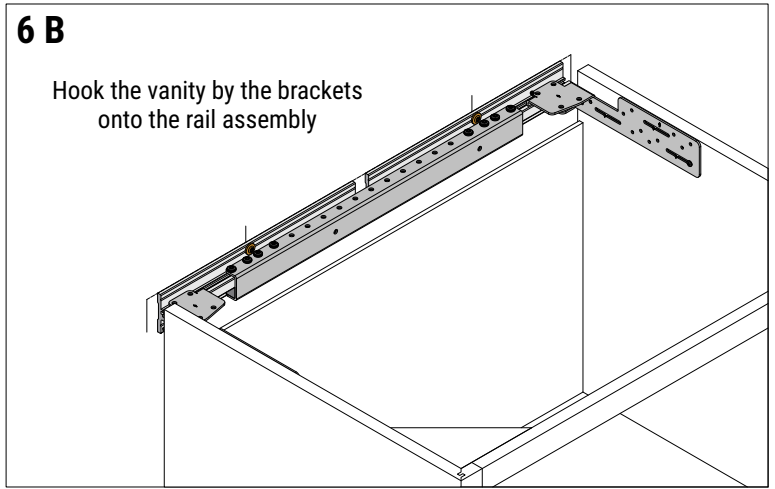


6 A

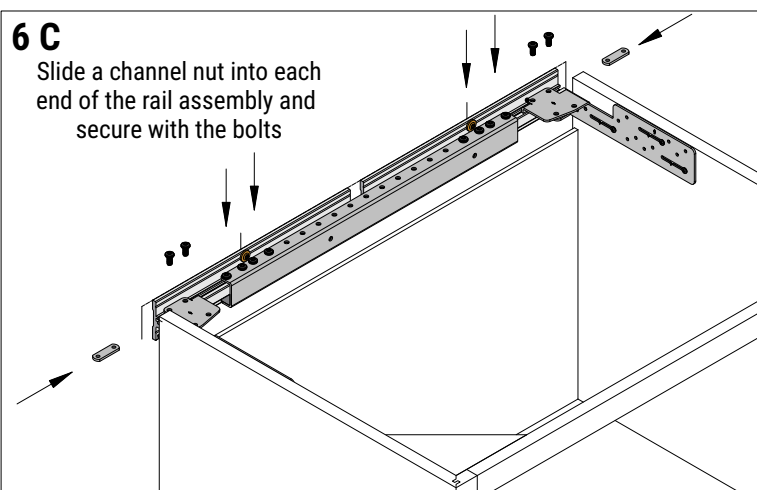
Loosen the brackets, slide them back, and retighten one screw per bracket

**6 B**

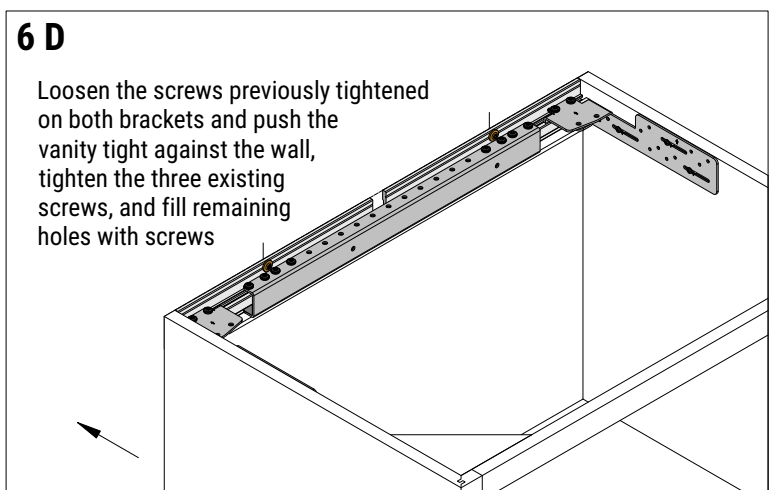
Hook the vanity by the brackets onto the rail assembly

**6 C**

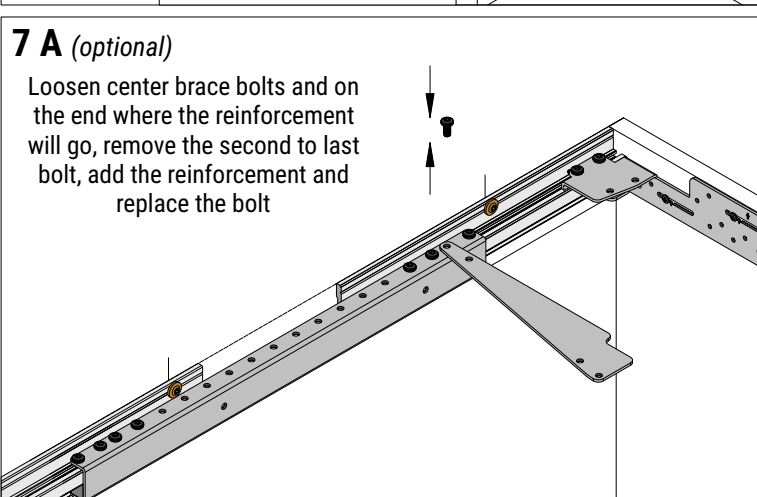
Slide a channel nut into each end of the rail assembly and secure with the bolts

**6 D**

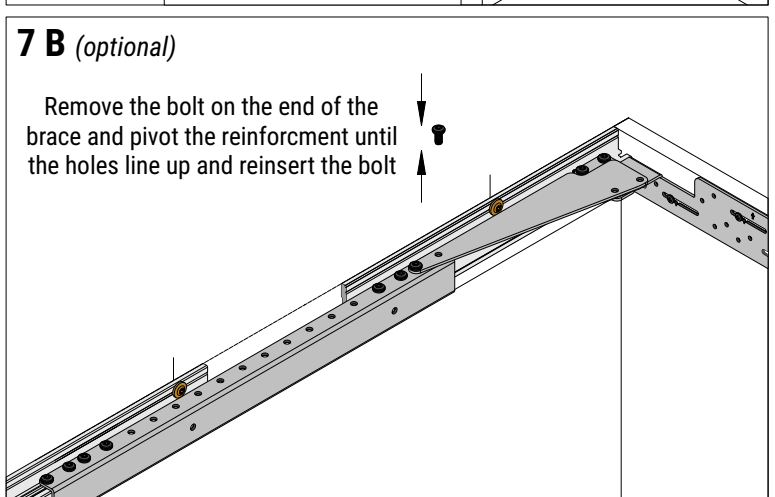
Loosen the screws previously tightened on both brackets and push the vanity tight against the wall, tighten the three existing screws, and fill remaining holes with screws

**7 A (optional)**

Loosen center brace bolts and on the end where the reinforcement will go, remove the second to last bolt, add the reinforcement and replace the bolt

**7 B (optional)**

Remove the bolt on the end of the brace and pivot the reinforcement until the holes line up and reinsert the bolt

**7 C (optional)**

Slide the brace/extension assembly until the holes on the extension align with the holes on the bracket

