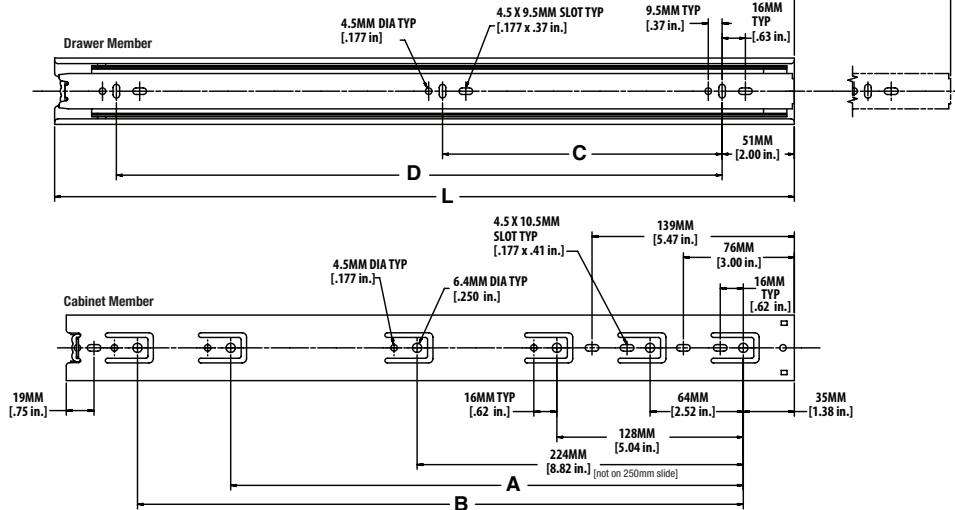


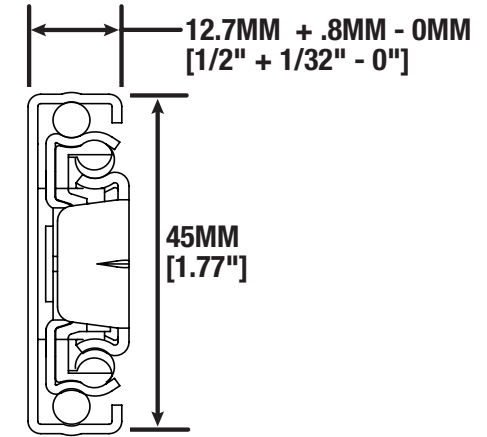
DURISLIDE™ 4500 Series Drawer Slide

Installation & Technical Sheet

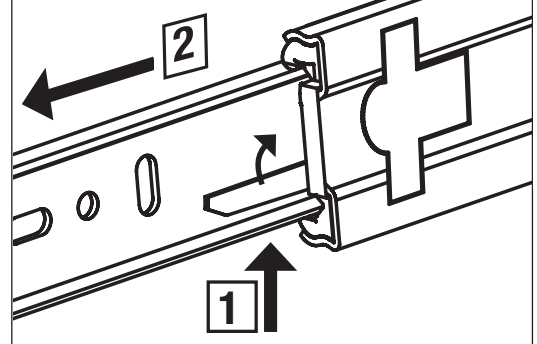
Mounting Hole Pattern



Profile/ Side Clearance



Release Lever



SKU	Slide Size	L	Travel	A	B	C	D
DUR45B 250	250MM	250MM [9.84]	250MM [9.84]	—	—	—	176MM [6.93]
DUR45B 300	300MM	300MM [11.81]	300MM [11.81]	—	—	96MM [3.76]	224MM [8.82]
DUR45B 350	350MM	350MM [13.78]	350MM [13.78]	—	—	128MM [5.04]	256MM [10.08]
DUR45B 400	400MM	400MM [15.75]	400MM [15.75]	288MM [11.34]	—	160MM [6.30]	320MM [12.60]
DUR45B 450	450MM	450MM [17.72]	450MM [17.72]	352MM [13.86]	—	160MM [6.30]	352MM [13.86]
DUR45B 500	500MM	500MM [19.69]	500MM [19.69]	352MM [13.86]	416MM [16.38]	192MM [7.56]	416MM [16.38]
DUR45B 550	550MM	550MM [21.65]	550MM [21.65]	352MM [13.86]	416MM [16.38]	224MM [8.82]	448MM [17.64]
DUR45B 600	600MM	600MM [23.62]	600MM [23.62]	352MM [13.86]	480MM [18.90]	256MM [10.08]	512MM [20.16]
DUR45B 650	650MM	650MM [25.29]	650MM [25.29]	352MM [13.86]	544MM [21.42]	288MM [11.34]	576MM [22.68]
DUR45B 700	700MM	700MM [27.56]	700MM [27.56]	352MM [13.86]	544MM [21.42]	288MM [11.34]	576MM [22.68]

Product Information

- Lengths: 250mm to 700mm in 50mm increments
- Bulk Packaging: 10 Sets per Carton
- Profile Height: 45mm [1.77"]
- Side Clearance: 12.7mm + .8mm - 0mm
- BHMA Grade 1 Rated
- Finish: Zinc
- Lever Release
- Traditional and 32mm Mounting Hole Pattern
- 1 Year Limited Warranty
- Fasteners: #7 x 1/2" pan-head screws (not included)

Warranty Information

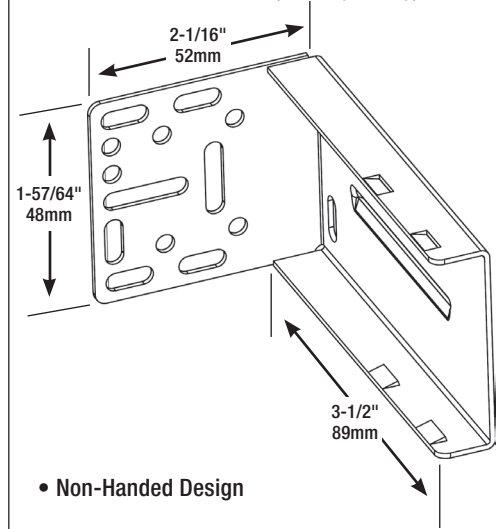
DuriSlide™ offers a One Year Limited Warranty to the initial purchaser of this product. This warranty covers defects in materials and workmanship, which occur during normal use, and the remedy is limited to only repair or replacement of the defective product, at DuriSlide's option. This warranty does not apply to defects resulting from misuse, damage or abuse, normal wear and tear, accident, modification, improper installation or maintenance, third party materials or damage during shipping.

For warranty service, please contact DuriSlide, at KV Customer Service, 1-800-253-1561. Any defective product must be returned postage or freight prepaid to DuriSlide and must include a claimed defect and date of purchase.

THIS ONE YEAR LIMITED WARRANTY CONSTITUTES THE ONLY WARRANTY AND SOLE REMEDY FOR THE PRODUCTS AND ALL OTHER WARRANTIES OR REPRESENTATIONS ARE HEREBY EXPRESSLY DISCLAIMED.

Copyright 2013 DuriSlide™, all rights reserved.

Rear Mounting Bracket (sold separately)



- Non-Handed Design

SKU	Carton Quantity
TT401	200 (10 Inner Boxes of 20 Brackets)
TT401B	200 (200 Loose Brackets)

DuriSlide™

KV Customer Service
1-800-253-1561
2700 Oak Industrial Drive NE
Grand Rapids, MI 49505-0047

310376-0613