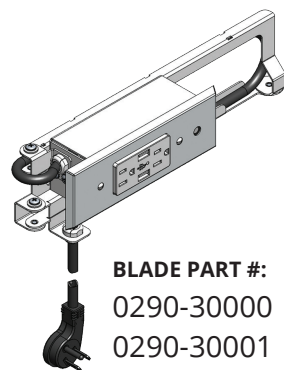
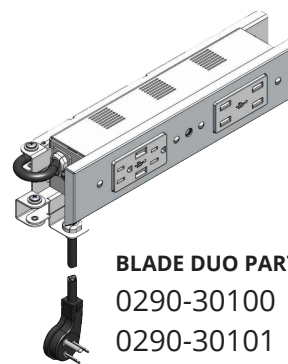


# Docking Drawer™

## Blade™ & Blade Duo™ Installation Instructions



**BLADE PART #:**  
0290-30000  
0290-30001  
0290-30002



**BLADE DUO PART #:**  
0290-30100  
0290-30101  
0290-30400  
0290-30102  
0290-30402

**Time Required - 30 min**

- Tools Needed:**
- Jigsaw
  - Drill
  - Measuring Tape
  - Screwdriver
  - Square
  - Pencil
  - Cutout Template

Visit our **Specification Library** at [www.dockingdrawer.com](http://www.dockingdrawer.com) to find:

Detailed Mounting Diagrams to plan your installation, DXF and STEP Files for importing into 2D and 3D layout programs, and our Electrical Planning Guide to plan in-cabinet power source for Docking Drawer outlets.

### WARNING



This in-drawer outlet is intended for charging technology only. This outlet **WILL NOT** power a hair dryer, curling iron, mixer or other types of high-powered devices.

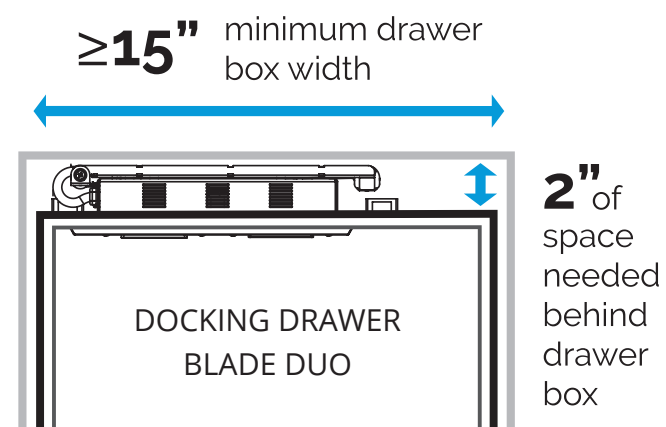
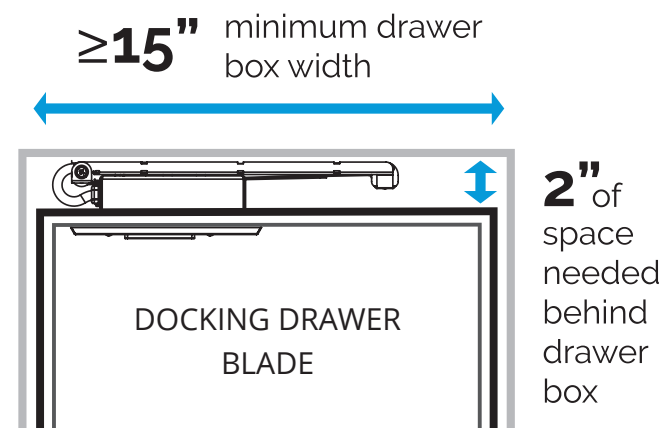


### CAUTION – READ CAREFULLY

- Failure to follow these instructions can cause death or permanent injury. Do not work on live electrical circuits! Make absolutely certain power is off before connecting the device!
- This product is for dry, indoor and permanent installations only.
- Install the device in accordance with all national and local electrical codes.

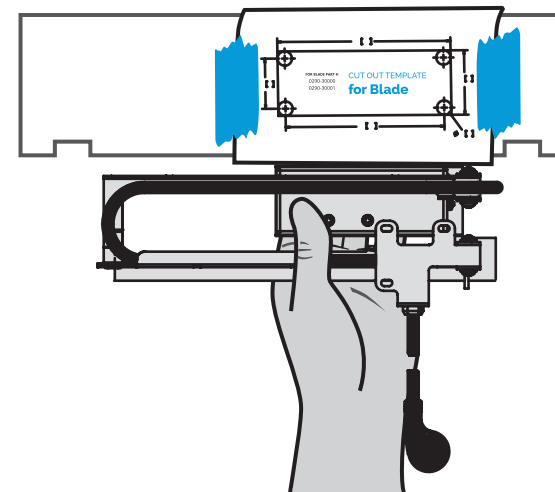
## How to Install the Outlet

**Step 1 -** Verify the drawer dimensions. Docking Drawer Blade and Blade Duo require at least 2" behind the drawer box and at least a 15" wide drawer box.

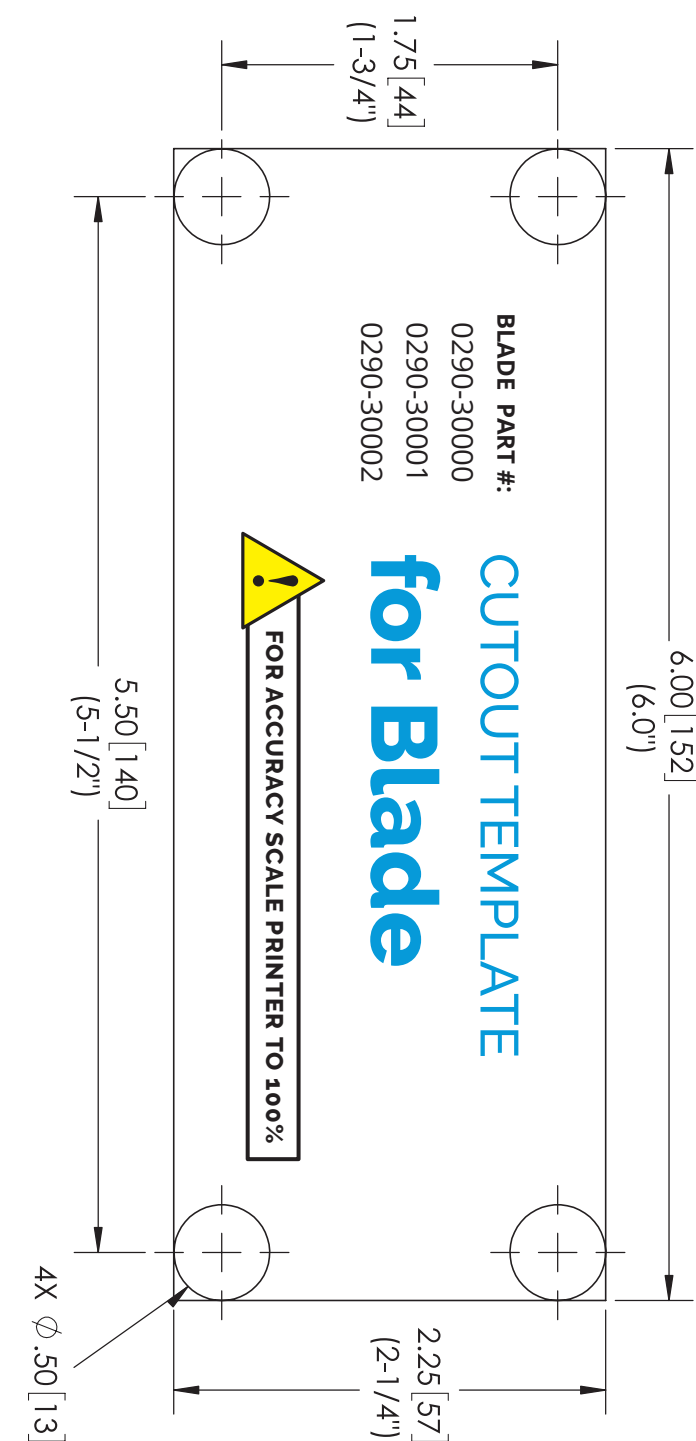
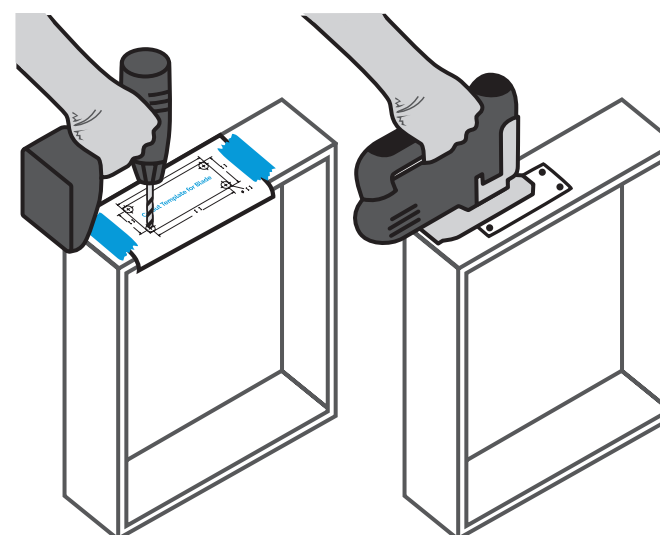


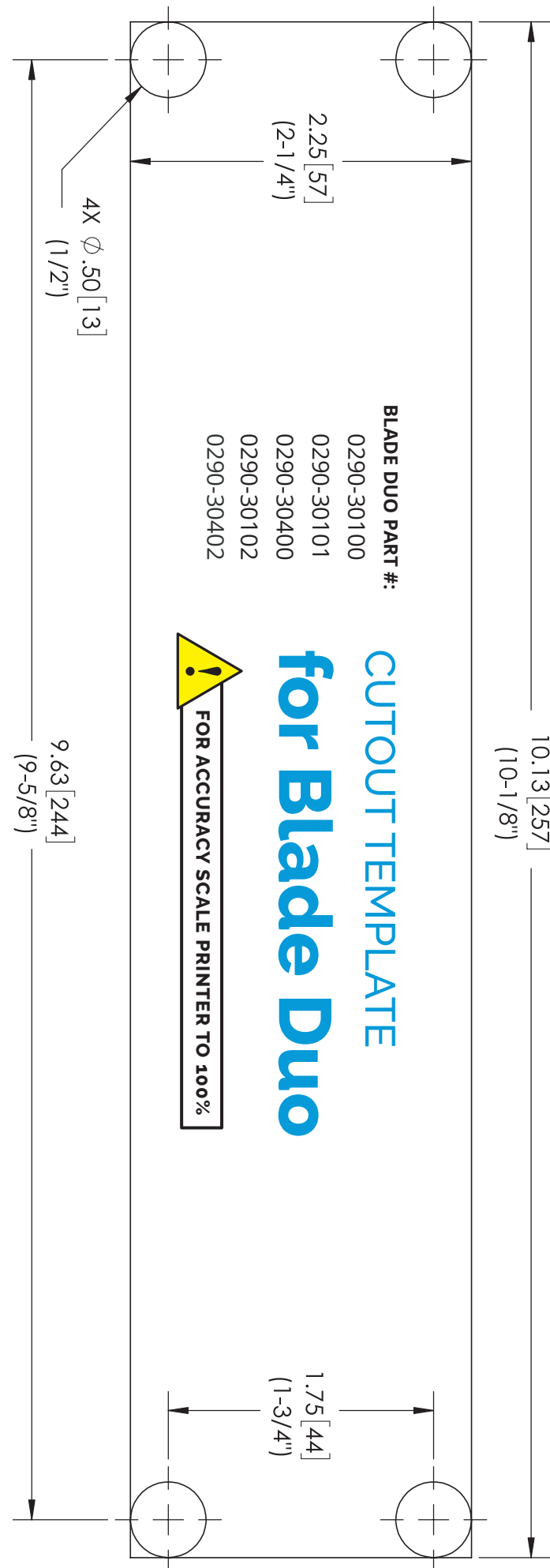
**Step 2 -** Remove the cutout template and flip to the side that corresponds with your product's part number.

**Step 3 -** Locate the proper location for the receptacle box cutout using our cutout template. You can locate the proper location from either the inside or backside of the drawer box, making sure that the arms will not interfere with the slides and that there is enough material surrounding the receptacle box to securely hold it in place.

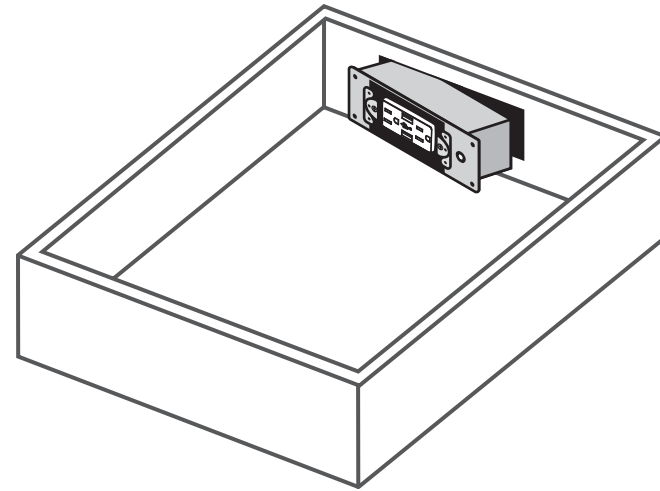


**Step 4 -** With a 1/2" drill bit, drill a hole in each corner, being careful not to splinter the wood on the inside of the drawer box. Using one of the 1/2" holes, insert a jigsaw and then make the required cutouts in the drawer box.

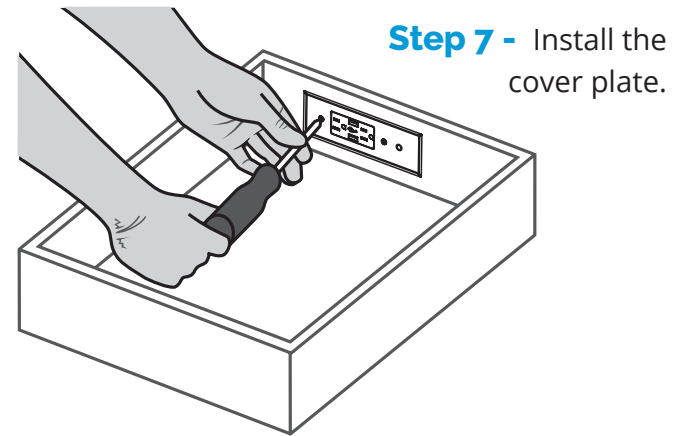
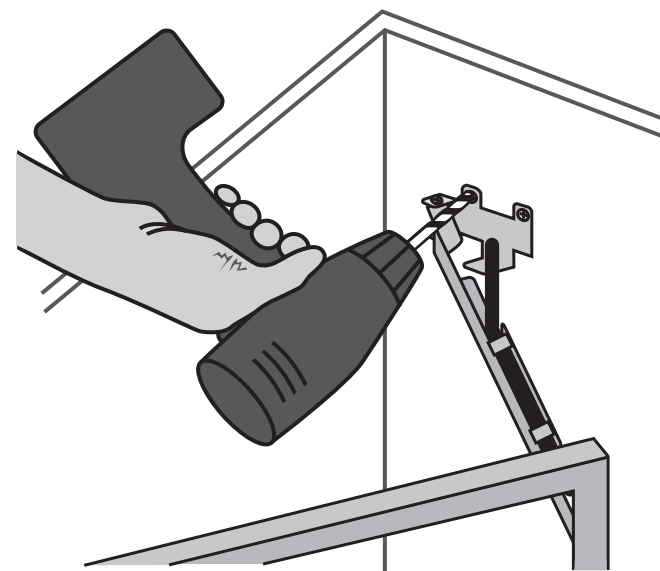




**Step 5 -** Reinstall the drawer box and slide the Docking Drawer Blade or Blade Duo receptacle box through the cutout. Secure it with the 4 wood screws provided.

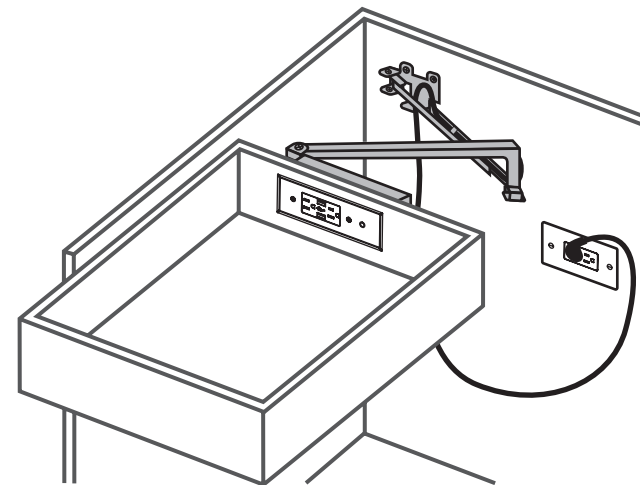


**Step 6 -** Align arms. With the drawer mostly closed, mark the position of the rear mounting bracket. It is important to make sure the drawer moves freely in and out and that the arms are square and even. Spend sufficient time at this step before fastening the bracket to the rear wall to make sure everything is square and the arms are in the correct position. Once that is done, secure with the screws provided.



**Step 7 -** Install the cover plate.

**Step 8 -** Connect the Docking Drawer power cord to the in-cabinet electrical supply. For more details about locating an in-cabinet electrical supply for your Docking Drawer installation, please refer to the Electrical Planning Guide located in the Specification Library at [www.dockingdrawer.com](http://www.dockingdrawer.com).



### How to Operate the Outlet

Docking Drawer Blade and Blade Duo include a resettable circuit breaker that prevents high-powered devices from being used. The circuit breaker trip is indicated by the white button protruding approximately 3/8" out from the cover plate. To reset, correct the source of overcurrent and push the white button in.

## Docking Drawer™ Complete Outlet Lineup

CHARGING	
<b>Docking Drawer Blade™</b> 	<b>Docking Drawer Blade Duo™</b> 

Max output: 3 amps. Perfect for charging cell phones, tablets, and laptops.

POWERING		
<b>Style Drawer Blade™</b> 	<b>Style Drawer Blade Duo™</b> 	<b>Style Drawer Flush™</b> 

Max output: 20 amps, GFCI outlets. Perfect for powering hair dryers, curling irons, and small kitchen appliances.

## Docking Drawer™

Have questions? Need help? Call us!

- (530) 205-3625
- 12893 Alcosta Blvd, Suite M, San Ramon, CA 94583
- [sales@dockingdrawer.com](mailto:sales@dockingdrawer.com)
- [www.dockingdrawer.com](http://www.dockingdrawer.com)